



[www.orthman.com](http://www.orthman.com)

# **TERRA FIRM'R**

**OPERATOR'S MANUAL**

**ORTHMAN  
MANUFACTURING  
INCORPORATED**

***STILL THE STRONGEST***

**ORTHMAN MFG. INC.  
75765 RD. 435  
LEXINGTON, NE 68850**

**OM06-04-01**

# Farm Safety

**Contrary to the popular image of fresh air and peaceful surroundings, a farm is not a hazard-free work setting. Every year, thousands of farm workers are injured and hundreds more die in farming accidents. According to the National Safety Council, agriculture is the most hazardous industry in the nation.**

## How You Can Improve Farm Safety

You can start by increasing your awareness of farming hazards and making a conscious effort to prepare for emergency situations including fires, vehicle accidents, electrical shocks from equipment and wires, and chemical exposures. Be especially alert to hazards that may affect children and the elderly. Minimize hazards by carefully selecting the products you buy to ensure that you provide good tools and equipment. Always use seat belts when operating tractors, and establish and maintain good housekeeping practices. Here are some other steps you can take to reduce illnesses and injuries on the farm:

- Read and follow instructions in equipment operator's manuals and on product labels.
- Inspect equipment routinely for problems that may cause accidents.
- Discuss safety hazards and emergency procedures with your workers.
- Install approved rollover protective structures, protective enclosures, or protective frames on tractors.
- Make sure that guards on farm equipment are replaced after maintenance.
- Review and follow instructions in material safety data sheets (MSDSs) and on labels that come with chemical products and communicate information on these hazards to your workers.

## Health and Safety Hazards on Farms

Farm workers including farm families and migrant workers are exposed to hazards such as the following:

Danger	Potential Effect or Injury	Prevention
Chemicals/Pesticides	Skin and respiratory injury or death	MSDS and proper Personal Protective Equipment. Review Manufacturers data sheets
Cold	Illness, Frostbite or death	Dress properly for the day.
Dust	Respiratory injury or explosive combinations	Be aware of your surroundings and activity
Electricity	Shock, burns, fire, death	Use a qualified professional for wiring dangerous electrical devices. Never overload a circuit. Replace damaged electrical devices or cords. Electrical tape will not insulate you from injury.
Grain bins, Silos	Entrapment, Suffocation, Explosion from formation of dangerous gases and poisoning.	Make sure the bin is properly ventilated and maintained. Never walk the grain.
Hand tools	Injury including cuts abrasions, electrocution, strains, sprains and death	Make sure you hand tools are in good condition. Never leave a damaged tooling accessible for someone else to use.
Highway traffic	Collisions resulting in injury or death	Follow regulations, stay alert. Avoid alcohol and use of communication devices while driving
Lifting and lifting devices	Back injury, sprains, strains. Falling material resulting in being struck or crushed by heavy material	Use proper lifting technique. Get help when the load is too heavy. Inspect chains, straps or cables routinely to make sure they are in good condition.
Livestock handling	Serious injury or death resulting from being pinned struck or trampled.	Always make sure you have adequate room and an escape route
Machinery/Equipment	Cuts, abrasions, amputations, death.	Thoroughly read and understand your Owners Equipment Manual. Never operate the equipment without guards in place. Make sure the equipment can not be energized or otherwise put into operation while you are working on it.
Manure pits	Explosion from formation of dangerous gases. Suffocation. Poisoning	Proper maintenance.
Mud	Sprains, strains, entrapment and suffocation. Eye injury and skin irritation.	Proper Personal Protective Equipment. In some conditions a "Spotter" may be needed.
Noise	Hearing damage	Personal Protective Equipment.
Ponds	Drowning	Wear a life preserver and make sure help is readily available.
Slips/Trips/Falls	Sprains, strains, back and neck injury, bone breaks or death	Keep work area free from clutter and organized. If working on anything elevated make sure you have appropriate guarding and/or fall protection such as a harness and lanyard.
Sun/Heat	Sun burn, Heat Stroke, shock, death	Use common sense on excessively hot days, use sun screen, wear a hat and stay hydrated.
Toxic gases	Skin and respiratory injury or death. Explosion.	MSDS and proper Personal Protective Equipment. Review Manufacturers data sheets
Tractors	Cuts, abrasions, amputations, death.	Thoroughly read and understand your Owners Equipment Manual. Never operate the equipment without guards in place. Anti-roll over devices.
Wells	Electrocution, amputation, death	Avoid contact with water while working on an electrical device. Always be sure the equipment can/will not be energized during repair or maintenance. Make sure all guarding is in place.
Severe Weather	Electrocution, "struck by" injuries, death	Move to a safe place. Lightning, hail and tornadoes are unpredictable.

**Orthman Manufacturing, Inc. does not limit the potential effects or injuries nor prevention measures to those listed above. They are provided solely as a guideline to making your farm life safer. Always consult your Owner/Operators Manual for specific tool and equipment safety requirements.**

## High Risk Factors on Farms

The following factors may increase risk of injury or illness for farm workers:

- **Age** – Injury rates are highest among children age 15 and under and adults over 65.
- **Equipment and Machinery** – Most farm accidents and fatalities involve machinery. Proper machine guarding and doing equipment maintenance according to manufacturers' recommendations can help prevent accidents.
- **Protective Equipment** – Using protective equipment, such as seat belts on tractors, and personal protective equipment (such as safety gloves, coveralls, boots, hats, aprons, goggles, face shields) could significantly reduce farming injuries.
- Take precautions to prevent entrapment and suffocation caused by unstable surfaces of grain storage bins, silos, or hoppers. Never "walk the grain."
- Be aware that methane gas, carbon dioxide, ammonia, and hydrogen sulfide can form in unventilated grain silos and manure pits and can suffocate or poison workers or explode.
- Take advantage of safety equipment, such as bypass starter covers, power take-off master shields, and slow-moving vehicle emblems.
- **Medical Care** – Hospitals and emergency medical care are typically not readily accessible in rural areas near farms.

## The Benefits of Improved Safety and Health Practices

Orthman Manufacturing Provides this document in the hope that everyone that has a job to do, does it SAFELY. Our goal and yours should be to end each day in the best possible health. Better safety and health practices reduce fatalities, injuries, and illnesses as well as associated costs such as workers' compensation insurance premiums, lost production, and medical expenses. A safer and more healthful workplace improves morale and productivity.



## WARRANTY

Orthman Mfg., Inc. warrants the whole goods products it manufactures to be free from defects in material or workmanship for a period of one (1) year from the date of sale of the product(s) to the original user. Products not manufactured, but supplied by Orthman Mfg., Inc. on Orthman products, are subject to, conform with, and are limited to the warranty of our suppliers.

Orthman Mfg., Inc. warrants the parts it manufactures to be free from defects in material or workmanship for a period of ninety (90) days from the date of delivery of the product(s) to the original user. Products not manufactured, but supplied by Orthman Mfg., Inc. on Orthman products, are subject to, conform with, and are limited to the warranty of our suppliers.

Warranty of Orthman whole goods and/or parts applies only to material and workmanship. Misuse, misapplication, neglect, alteration, accident, normal wear, or acts of God affecting Orthman products are not eligible for warranty.

Warranty of serial numbered goods will only be considered if the product has a completed Warranty Registration on file at Orthman. This Warranty Registration must be completed and returned to Orthman within thirty (30) days of the sale of the product(s) to the original user. **No serial numbered goods or related parts and/or labor will be warranted without a Warranty Registration on file.** Warranty issues falling within the first thirty days of a product's use will be handled at the discretion of Orthman. Warranty of parts will not require a Warranty Registration, but proof of date of delivery of the product to the original customer must be provided.

**WARRANTY CLAIMS:** A warranty claim and request to return defective product(s) must be presented to the Orthman Service Department by the selling dealer describing the defect in material or workmanship of an Orthman product(s) within ten (10) days of its discovery. This claim may be made via phone, e-mail, fax, or written request. Claims for warranty of serial numbered goods must include the Orthman product serial number and model number. Claims for warranty of parts will not require a product serial number or model number, but must be identified by an Orthman part number. Claims for warranty of whole goods or parts must also include proof of date of sale of the product to the original customer by an Orthman dealer.

The Orthman Service Department will proceed in making a preliminary decision as to the eligibility of the claim for warranty consideration. After the Orthman Service Department deems it necessary to proceed with warranty consideration, a Return Goods Authorization (RGA) will be completed by the Orthman Service Department in conjunction with the selling dealer. Upon completion of the RGA, the defective product(s) must be returned to Orthman to ensure warranty consideration. Defective product(s) must be returned to Orthman by either the selling dealer or the customer. Customer delivery of defective product(s) must be approved by Orthman and the selling dealer prior to delivery. The defective product(s) in question must be sent, freight prepaid, within sixty (60) days of the discovery of the product(s) failure and initial warranty claim. Replacement product(s) may be sent to the selling dealer, directly to the customer, or picked up at the Orthman facility. Replacement product(s), sent directly to the customer or picked up must be approved by Orthman and the selling dealer. At the discretion of the Orthman Service Department, replacement product(s) may be sent prior to, or after, the Orthman Service Department receives the defective product(s).

**Any variation in the above procedure is at the sole discretion of the Orthman Service Department.**

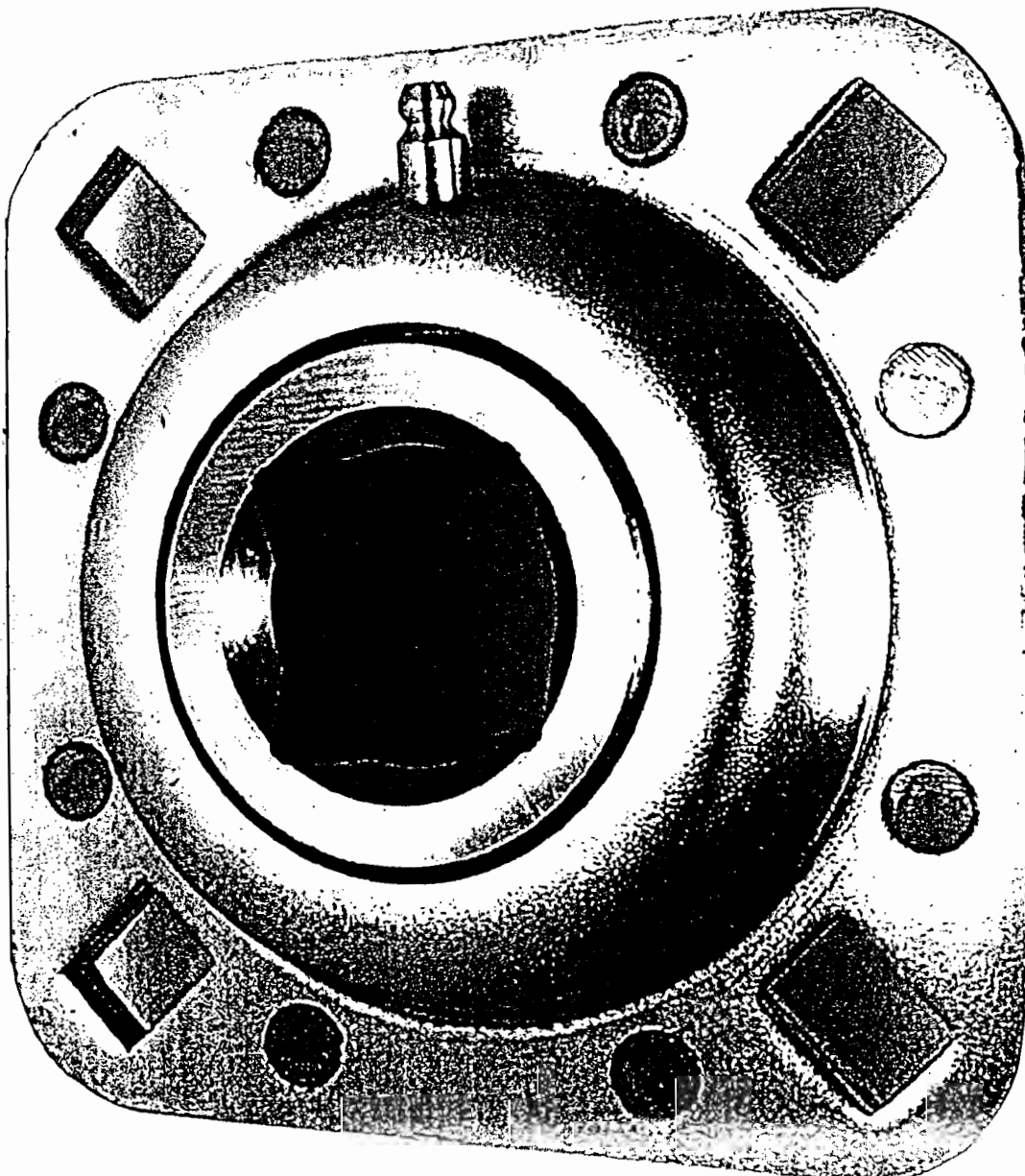
**No products will be accepted at Orthman without all proper paperwork completed including Warranty Registration and RGA(s). Parts returned to Orthman without proper authorization will be returned to the sender at the sender's expense.**

Orthman agrees to handle all warranty claims in a timely manner and will inform dealers of any revisions or modifications to the Orthman Warranty Policy. Eligible warranty claims will be processed by Orthman within sixty (60) days of receiving failed product(s) or a valid service or repair labor claim. Eligible warranty claims regarding returned product(s) or service and/or repair labor will be paid through a credit memo issued to the appropriate dealer's account as determined by the Orthman Service Department.

If a warranty claim is found to be ineligible for warranty coverage, the Orthman Service Department will be responsible to inform the dealer in order to determine the course of action to be taken. Orthman reserves the right to make changes in specification and design without notice and without incurring any obligations to owners of products previously sold.



311007 Bearing These bearings have been greased at the factory. They do not need to be greased until sufficient usage. Overgreasing will cause triple lip seal failure.



# TERRA-FIRM'R

---

## TABLE OF CONTENTS

<b>Safety</b> .....	<b>1</b>
Safety Decals.....	1
Safety Precautions.....	2
<b>General Information</b> .....	<b>3</b>
General Information Sheet.....	3
Operation and Maintenance Instructions.....	4
<b>1-14 Terra-Firm'r</b> .....	<b>5</b>
14' Rigid Section.....	6
Tongue Assembly.....	7
Wheel Assembly and Placement.....	8
Hydraulic Schematics.....	9
<b>1-19 Terra-Firm'r</b> .....	<b>10</b>
19' Rigid Section.....	11
Tongue Assembly.....	12
Wheel Assembly and Placement.....	13
Hydraulic Schematics.....	14
<b>3-22 Terra-Firm'r</b> .....	<b>15</b>
13' Center Section.....	16
4-1/2' Right Wing.....	17
4-1/2' Left Wing.....	18
Basket and Truss Assembly.....	19
Tongue Assembly.....	20
Wing Rest Assembly.....	21
Wheel Assembly and Placement.....	22
Hydraulic Schematics.....	23

<b>3-29 Terra-Firm'r</b> .....	<b>24</b>
13' Center Section .....	25
8' Right Wing .....	26
8' Left Wing .....	27
Basket and Truss Assembly .....	28
Tongue Assembly .....	29

**3-29 Terra-Firm'r Continued**

Wing Rest Assembly .....	30
Wheel Assembly and Placement .....	31
Hydraulic Schematics .....	32

**3-34 Terra-Firm'r** .....

13' Center Section .....	34
10-1/2' Right Wing .....	35
10-1/2' Left Wing .....	36
Basket and Truss Assembly .....	37
Tongue Assembly .....	38
Wing Rest Assembly .....	39
Wheel Assembly and Placement .....	40
Hydraulic Schematics .....	41

**3-36 Terra-Firm'r** .....

15' Center Section .....	43
10-1/2' Right Wing .....	44
10-1/2' Left Wing .....	45
Basket and Truss Assembly .....	46
Tongue Assembly .....	47
Wing Rest Assembly .....	48
Wheel Assembly and Placement .....	49
Hydraulic Schematics .....	50

**5-42 Terra-Firm'r** .....

13' Center Section .....	52
10' Right Insert .....	53
10' Left Insert .....	54
4-1/2' Right Wing .....	55
4-1/2' Left Wing .....	56

<b>5-42 Terra-Firm'r (Continued)</b> .....	<b>57</b>
Basket and Truss Assembly.....	57
Tongue Assembly.....	58
Wing Rest Assembly.....	59
Wheel Assembly and Placement.....	60
Hydraulic Schematics.....	61
<b>5-46 Terra-Firm'r</b> .....	<b>62</b>
13' Center Section.....	63
10' Right Insert.....	64
10' Left Insert.....	65
6-1/2' Right Wing.....	66
6-1/2' Left Wing.....	67
Basket and Truss Assembly.....	68
<b>5-46 Terra-Firm'r Continued</b>	
Tongue Assembly.....	69
Wing Rest Assembly.....	70
Wheel Assembly and Placement.....	71
Hydraulic Schematics.....	72
<b>5-52 Terra-Firm'r</b> .....	<b>73</b>
15' Center Section.....	74
10' Right Insert.....	75
10' Left Insert.....	76
8' Right Wing.....	77
8' Left Wing.....	78
Basket and Truss Assembly.....	79
Tongue Assembly.....	80
Wing Rest Assembly.....	81
Wheel Assembly and Placement.....	82
Hydraulic Schematics.....	83
<b>Deluxe Light Kit</b> .....	<b>84</b>
Deluxe Light Kit.....	84
<b>Tower Assembly with Walking Dual Option</b> .....	<b>85</b>
Tower Assembly with Walking Dual Option.....	85

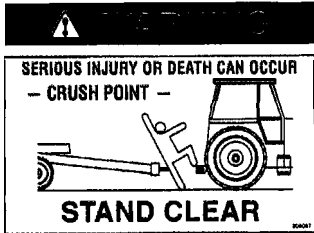


<b>Midway and Prince Cylinders</b> .....	<b>86</b>
330936 – 2-1/2 x 10 Midway Cylinder.....	86
330938 – 3-1/2 x 10 Midway Cylinder.....	87
330939 – 4 x 10 Midway Cylinder.....	88
330539 – 3-1/2 x 24 Prince Cylinder.....	89
330540 – 4 x 24 Prince Cylinder.....	90
330727 – 5 x 24 Prince Cylinder.....	91

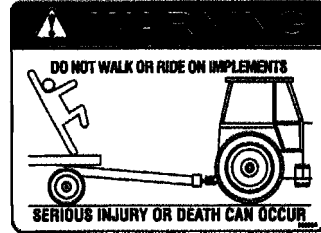
<b>Hitch Plates</b> .....	<b>92</b>
802498 – 4 & 6 Section Fallow Master.....	92
802499 – 3, 5, & 7 Section Fallow Master.....	93
802518 – (Lazer) 4 x 4 Boxing.....	94
802519 – (Universal) 5 x 5 Boxing.....	95
802520 – Double Clamp 4 x 4 Boxing.....	96
802519 – Double Clamp 5 x 5 Boxing.....	97

<b>Wing Extensions</b> .....	<b>98</b>
2' Wing Extension Assembly.....	98
3' Wing Extension Assembly.....	99

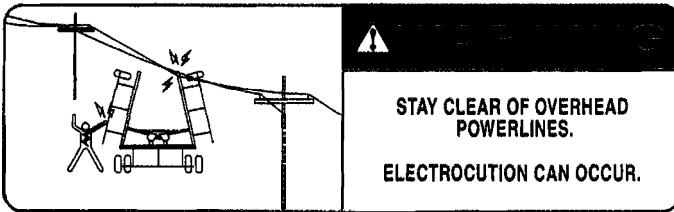
<b>Riser Kit Assembly</b> .....	<b>100</b>
901503 - Riser Kit Assembly ( steps 1 and 2).....	100
901503 - Riser Kit Assembly ( steps 3 and 4).....	101
901503 - Riser Kit Hydraulic Schematics.....	102



STAND CLEAR OF CRUSH POINTS (300097)



DO NOT WALK OR RIDE ON IMPLEMENTS (300098)



STAY CLEAR OF OVERHEAD POWERLINES (300158)



STAY CLEAR OF WING FRAMES (300095)



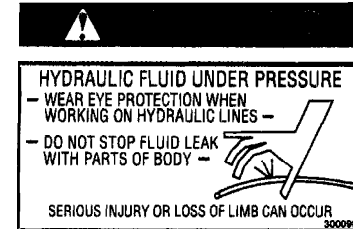
KEEP FEET CLEAR OF GROUND ENGAGING TOOLS (300102)



WATCH FOR SHARP OBJECTS (300100)



STAY CLEAR OF OVERHEAD OBJECTS (300099)



HYDRAULIC FLUID UNDER PRESSURE (300096)

# TERRA-FIRM'R

---

## **MOST ACCIDENTS CAN BE AVOIDED WHEN SAFETY RULES ARE FOLLOWED**

THE FOLLOWING RULES WILL KEEP MACHINE-RELATED ACCIDENTS TO A MINIMUM:

READ THE INSTRUCTION AND PARTS MANUAL CAREFULLY BEFORE USING THE MACHINE.

- NEVER WALK UNDER AN UNPINNED WING.
- ALWAYS REQUIRE BYSTANDERS TO STAND CLEAR OF THE MACHINE WHILE FOLDING AND UNFOLDING WINGS OR WHILE RAISING OR LOWERING THE MACHINE.
- NEVER ALLOW FEET TO BE UNDER THE BASKETS.
- DO NOT WALK ON THE FRAMES.
- DO NOT ADJUST, LUBRICATE OR CLEAN THE MACHINE WITH THE TRACTOR RUNNING.
- ALWAYS USE LOCK-UP PINS WHEN WINGS ARE IN THE FOLDED POSITION, ON THE 5-SECTION MACHINES
- ALWAYS USE ROAD LOCKOUT BRACKETS WHEN ROADING.
- COMPLY WITH ALL STATE AND LOCAL TRANSPORTATION LAWS.
- CHECK WHEEL BOLTS EVERY 100 HOURS.
- DO NOT TRANSPORT THE MACHINE OVER 15 MILES PER HOUR.
- NEVER ALLOW RIDERS ON THE IMPLEMENT.
- DO NOT STAND OVER THE TONGUE WHEN HITCHING OR UNHITCHING.
- NEVER REMOVE ANY LOCK PINS UNLESS HYDRAULIC CYLINDERS AND LINES ARE FREE OF AIR AND FULL OF HYDRAULIC OIL.
- CHECK THE TIRE PRESSURE AND INSPECT THE TIRES FOR CUTS OR WEAR DAILY. (USE RECOMMENDED PRESSURES ON THE TIRES.)
- DO NOT REMOVE OR TAMPER WITH SAFETY DEVICES, SUCH AS: HYDRAULIC RESTRICTORS, LOCKOUT ARMS, OR LOCKOUT BRACKETS.
- WATCH OUT AND AVOID PROTRUDING OBJECTS, SUCH AS: BASKET RODS, SCRAPERS ETC.
- STAY CLEAR OF CRUSH POINTS, SUCH AS: HITCH POINT, PIVOT POINTS ETC.
- FOLD AND UNFOLD THE WINGS ON LEVEL GROUND.
- INSPECT PINS FOR WEAR, REPLACE WORN PARTS.
- INSPECT THE HYDRAULIC SYSTEM FOR FRAYED HOSES AND LEAKY FITTINGS

1=RIGID MACHINE  
3=THREE SECTION MACHINE  
5=FIVE SECTION MACHINE

<u>MODEL/WIDTH</u>	<u>TRANSPORT DIMENSIONS</u>	<u>APPROX. WEIGHT</u>	<u>TONGUE LENGTH</u>
TF 1-14	14' 0"W N/AH	2250	20'
TF 1-19	19' 0"W N/AH	3000	20'
TF 3-22	14' 2"W 8' 2"H	4400	20'
TF 3-29	16' 6"W 11' 6"H	5800	20'
TF 3-34	17' 6"W 13' 6"H	6600	25'
TF 3-36	19' 0"W 13' 6"H	7200	25'
TF 5-42	18' 9"W 13' 9"H	8400	25'
TF 5-46	18' 9"W 13' 9"H	9200	30'
TF 5-52	20' 8"W 13' 9"H	10400	30'




---

### OPERATION OF MACHINE

- SPECIAL NOTE:** IF TIGHT TURNS ARE NECESSARY, PAY CLOSE ATTENTION TO LOCATION OF THE TERRA-FIRM'R IN CONJUNCTION WITH THE PULLING IMPLEMENT.
- CHECK ALL HARDWARE FOR TIGHTNESS DURING BREAK-IN USE OF A NEW MACHINE.
- VISUALLY CHECK TIRE INFLATION EACH DAY.
- CHECK STRUT PLATE MOUNTING BOLTS FOR TIGHTNESS EACH DAY.

### LUBRICATION

1. WHEEL HUBS ARE PROVIDED WITH PLUGGED GREASE ZERK HOLES TO ACCOMMODATE THOSE OWNERS WHO PREFER TO ADD GREASE TO HUBS BETWEEN REPACKINGS. FACTORY RECOMMENDED LUBRICATION FOR HUB BEARINGS: REPACK ANNUALLY.

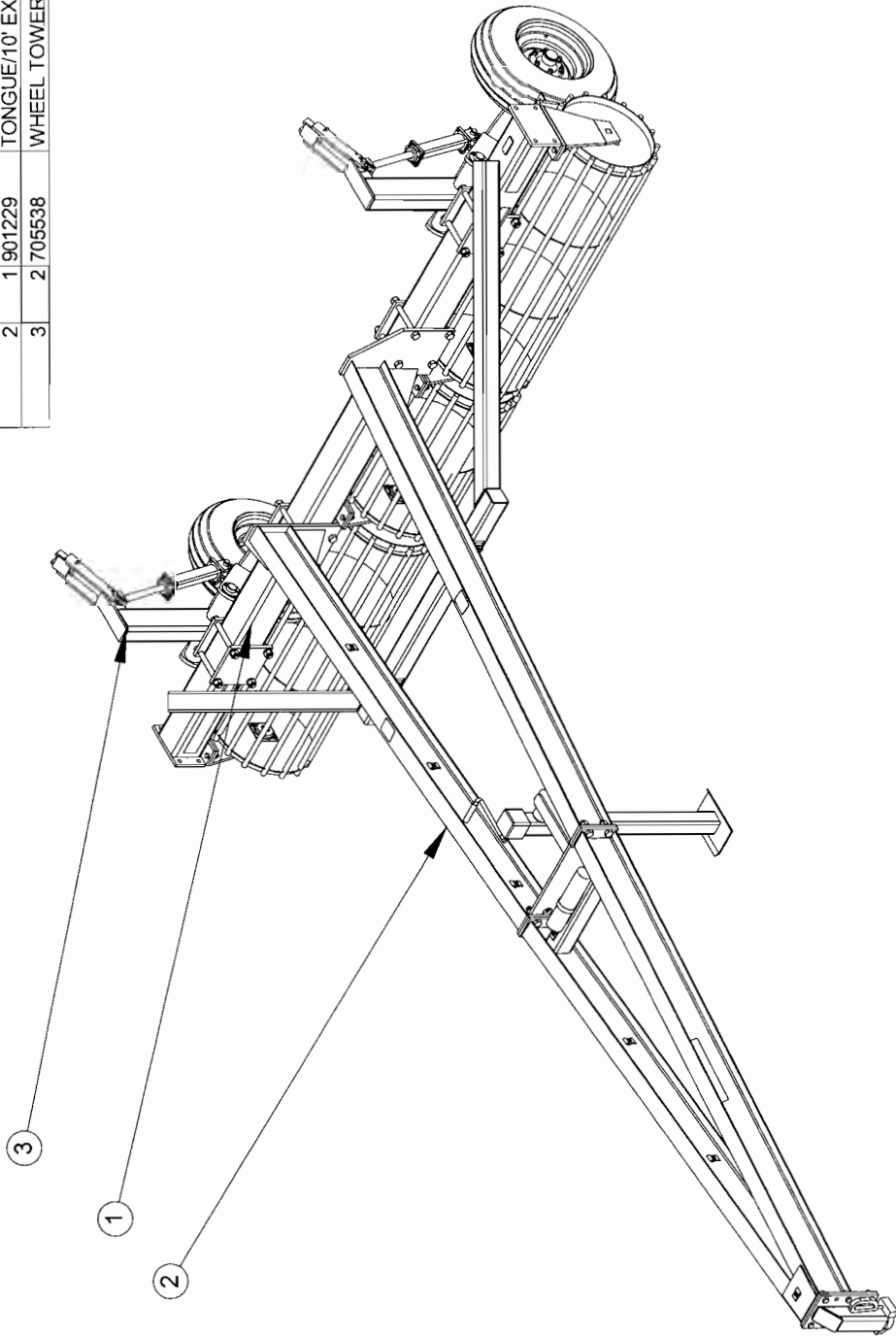
GREASE POINTS	WEEKLY	6-MONTH
HINGE POINTS		
BASKET STRUT BEARINGS		
IMPLEMENT JACK		

### WINTERIZING MACHINE

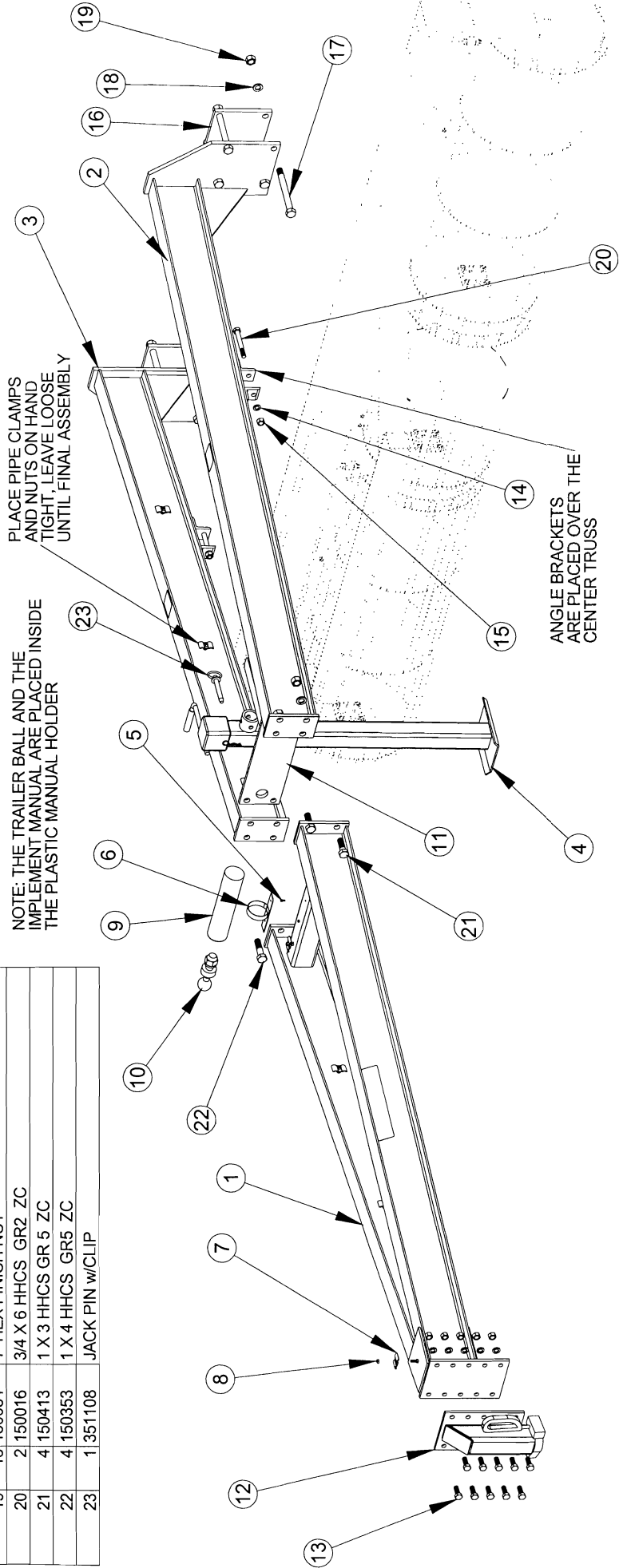
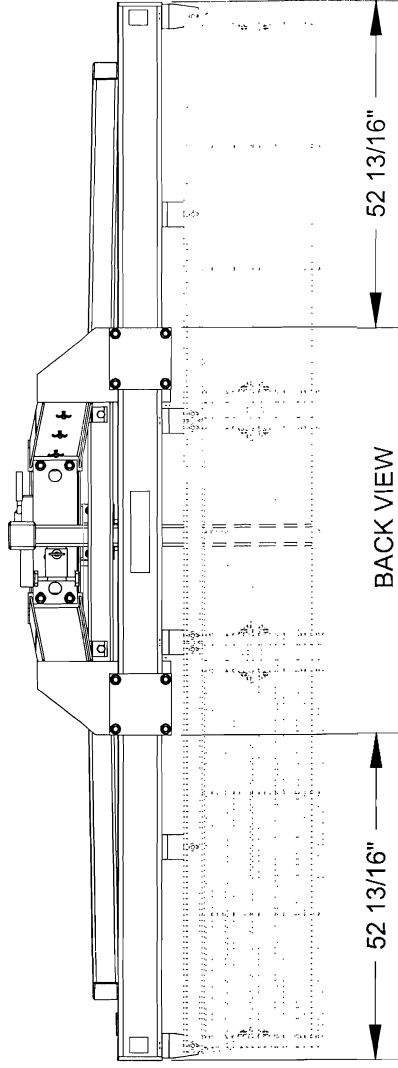
WHEN FINISHED USING MACHINE FOR THE SEASON OR STORING MACHINE FOR AN EXTENDED PERIOD OF TIME, THESE MEASURES WILL HELP ENSURE THAT YOUR MACHINE WILL BE IN GOOD OPERATING CONDITION FOR THE NEXT SEASON.

- LUBRICATE ALL GREASE POINTS
- UNFOLD MACHINE AND REST MACHINE ON BASKETS TO RELIEVE HYDRAULIC PRESSURE. (AS THE SUN WARMS THE MACHINE, THE HYDRAULIC OIL IN THE SYSTEM EXPANDS 100 PSI FOR EVERY DEGREE OF INCREASE IN TEMPERATURE. UNDER CERTAIN CONDITIONS, THE OIL MAY EXPAND ENOUGH TO BLOW OUT THE ROD SEALS.)
- PUT A LIGHT COATING OF GREASE ON THE EXPOSED CYLINDER RODS. THIS WILL PREVENT EXPOSURE TO THE ELEMENTS FROM CORRODING THE ROD.

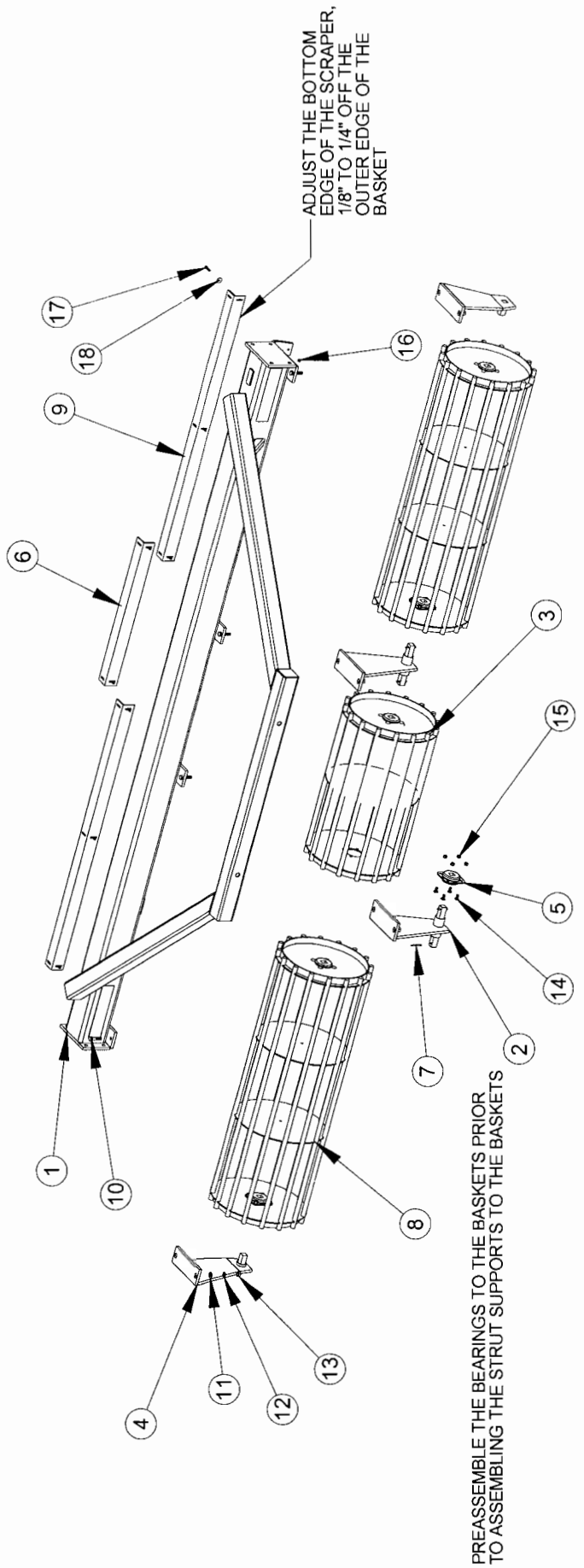
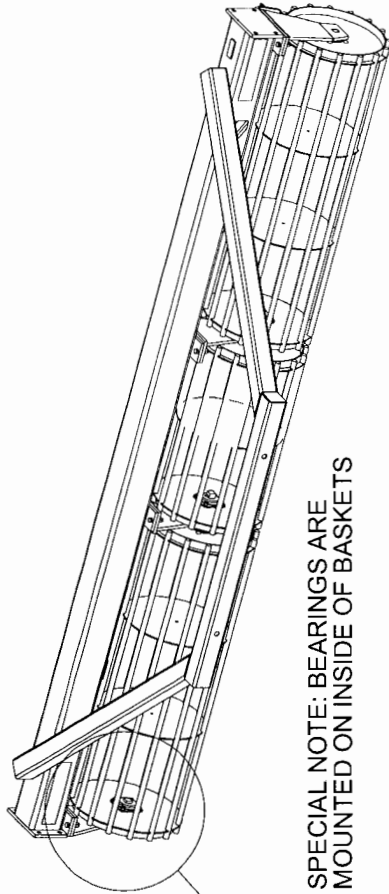
ITEM NO.	QTY.	PART NO.	DESCRIPTION
1	1	901531	14' RIGID SECTION
2	1	901229	TONGUE/10' EXTENSION ASSEMBLY
3	2	705538	WHEEL TOWER SUPPORT



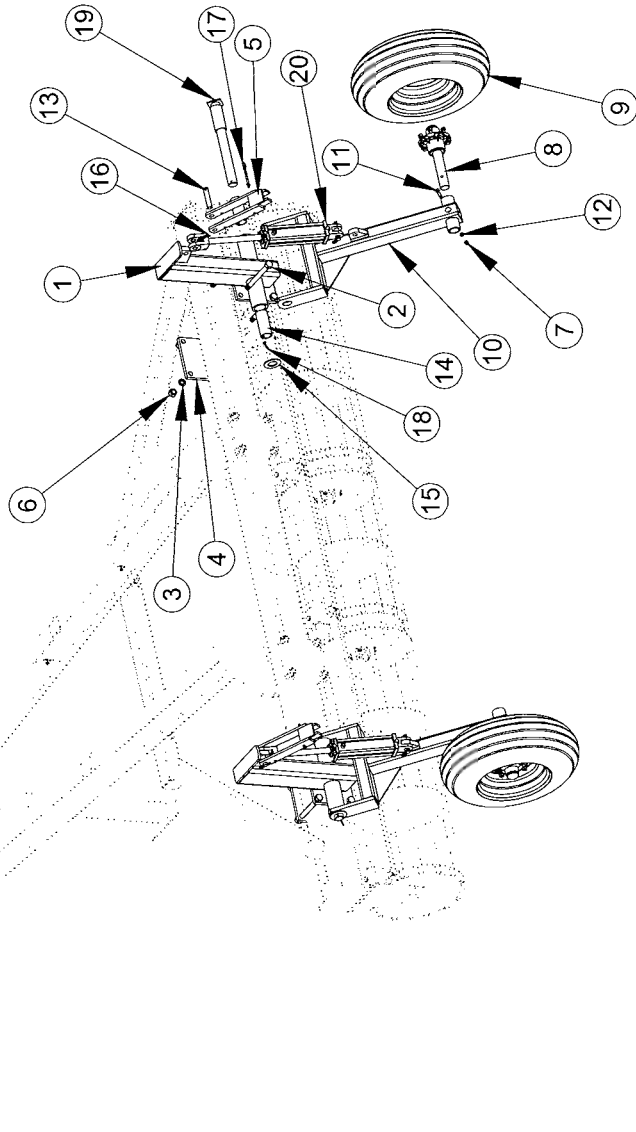
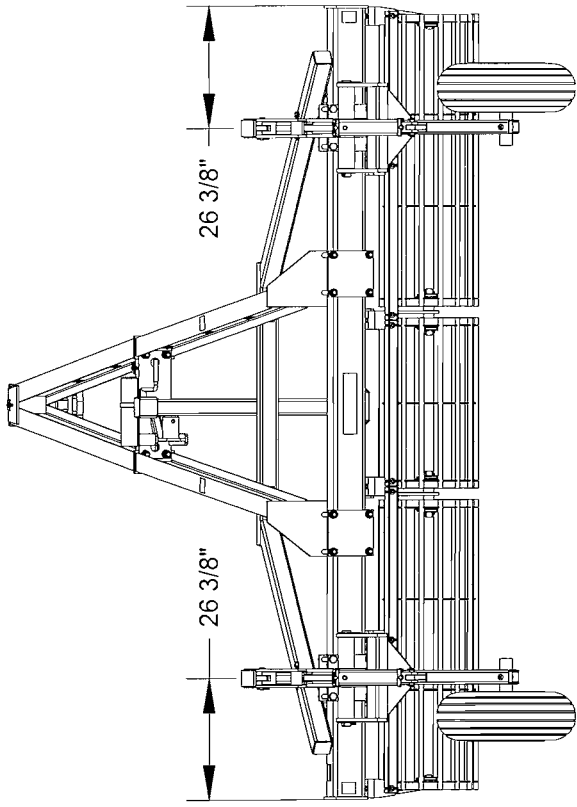
ITEM NO.	QTY.	PART NO.	DESCRIPTION
1	1	705000	STANDARD A-FRAME TONGUE
2	1	705027	10' TONGUE EXTENSION (LT)
3	1	705028	10' TONGUE EXTENSION (RT)
4	1	508095	TF IMPLEMENT JACK
5	2	150492	1/4 X 1/2 SELF-TAPPING SCREW ZC
6	1	350942	MANUAL HOLDER CLAMP
7	7	506722	PIPE CLAMP
8	7	150042	3/8 CENTERLOCK HEX NUT
9	1	350941	PLASTIC MANUAL HOLDER TUBE
10	1	300177	2 5/16" TRAILER BALL (HI-RISE) W/1 1/4" SHANK
11	1	705079	JACK SUPPORT
12	1	705026	HITCH TUBE
13	10	150057	3/4 X 2 HHCS GR 2 ZC
14	12	150037	3/4 SPLIT LOCKWASHER ZC
15	12	150038	3/4 HEX FINISH NUT ZC
16	2	508123	MOUNT PLATE
17	8	150742	1" X 10 HHCS GR5 ZC
18	16	150033	1" SPLIT LOCKWASHER
19	16	150034	1" HEX FINISH NUT
20	2	150016	3/4 X 6 HHCS GR2 ZC
21	4	150413	1 X 3 HHCS GR 5 ZC
22	4	150353	1 X 4 HHCS GR5 ZC
23	1	351108	JACK PIN w/CLIP



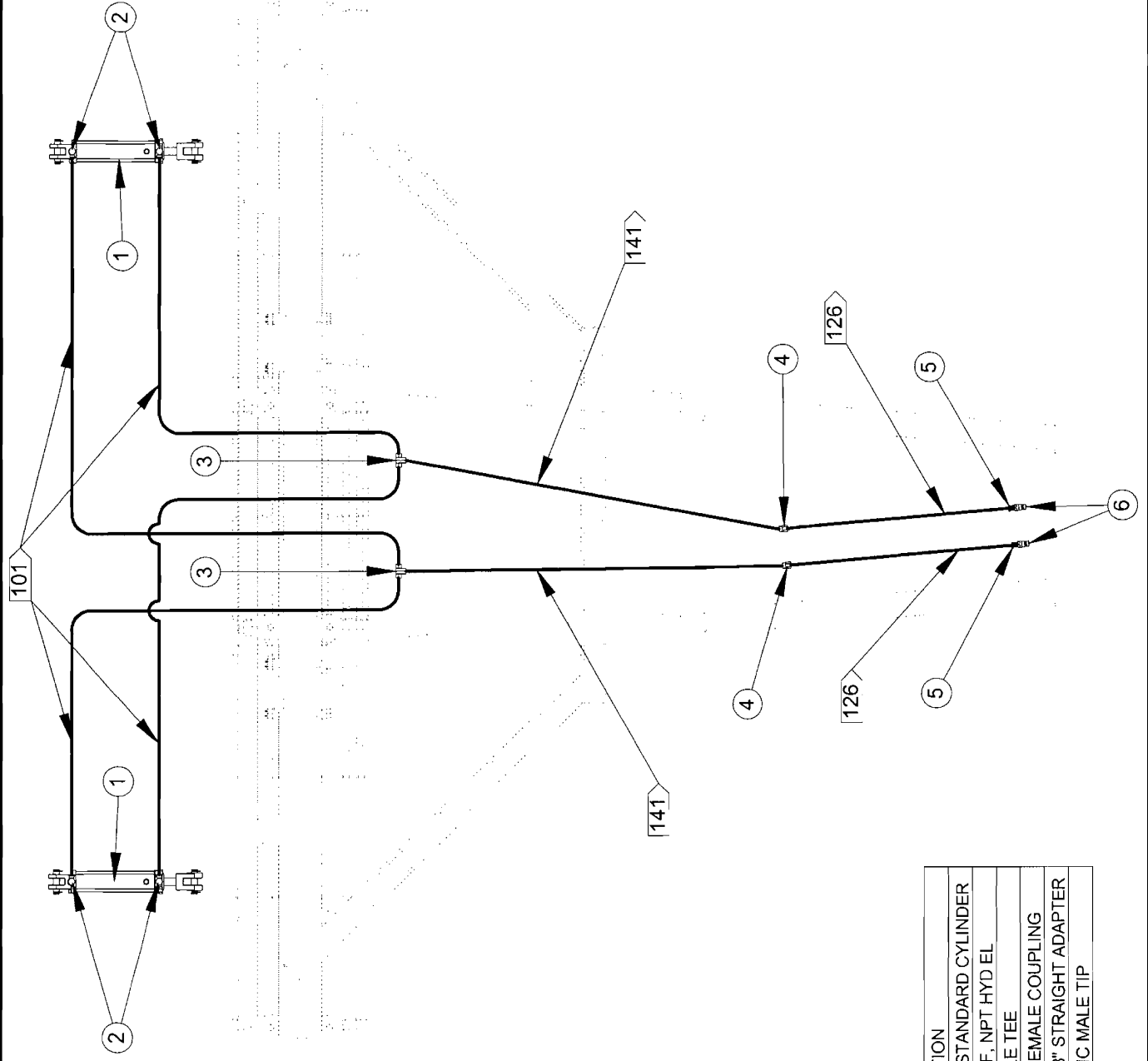
ITEM NO.	QTY.	PART NO.	DESCRIPTION
1	1	705610	14 FOOT RIGID FRAME
2	2	705023	STRUT SUPPORT DOUBLE
3	1	705032	BASKET 37"
4	2	705022	STRUT SUPPORT SINGLE
5	6	311007	SEALED BEARING 1 1/4 SQ HOLE
6	1	508109	SCRAPER 35 3/4"
7	4	150443	3/8 X 2 1/2 ROLL PIN
8	2	705613	BASKET 63"
9	2	509240	SCRAPER 66 3/8"
10	8	150058	5/8 X 2 1/2 HHCS GR 2 ZC
11	8	150283	5/8 SAE FLATWASHER
12	8	150040	5/8 LOCKWASHER
13	8	150041	5/8 HEX NUT
14	24	150185	1/2 X 1 CGE SCREW GR 5 ZC
15	24	150112	1/2 CENTERLOCK HEX NUT
16	8	150042	3/8 CENTERLOCK HEX NUT
17	8	150333	3/8 X 1 1/2 HHCS GR2 ZC
18	8	150269	3/8 USS FLAT WASHER





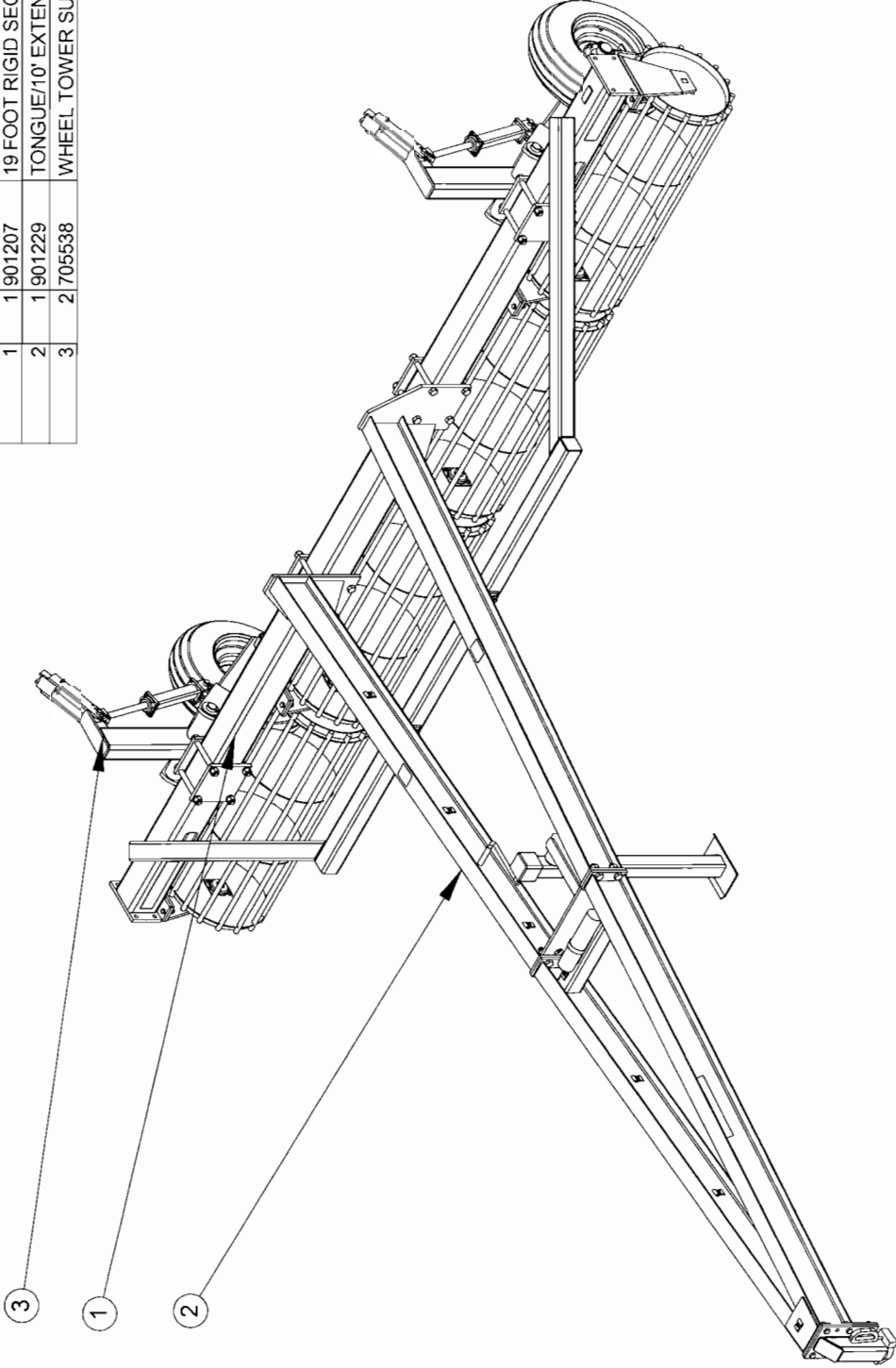


ITEM NO.	QTY.	PART NO.	DESCRIPTION
1	2	705538	WHEEL TOWER SUPPORT
2	8	150742	1" X 10 HHCS GR5 ZC
3	8	150033	1" SPLIT LOCKWASHER
4	2	508123	MOUNT PLATE
5	2	703533	ROAD LOCK-OUT - W.A. (WHITE)
6	8	150034	1" HEX FINISH NUT
7	2	150031	1/2 HEX FINISH NUT
8	2	800410	6 - BOLT HUB & SPINDLE ASSY.
9	2	802107	11L X 15 - 8PLY TIRE ASSEMBLY
10	2	705535	ROCKSHAFT-DUALS
11	2	150183	1/2 X 3 1/2 HHCS GR 5 ZC
12	2	150030	1/2 SPLIT LOCKWASHER
13	2	150632	1 X 4 1/2 CLEVIS PIN
14	6	360587	UHMW BUSHING
15	2	150826	2" TYPE B NARROW FLAT WASHER
16	2	150047	.177 HAIRPIN COTTER
17	2	350530	3/8 X 4 3/8 HITCH PIN
18	2	150239	1/4 X 3 COTTER PIN
19	2	705534	SHAFT
20	2	330936	2-1/2 x 10 STANDARD CYLINDER

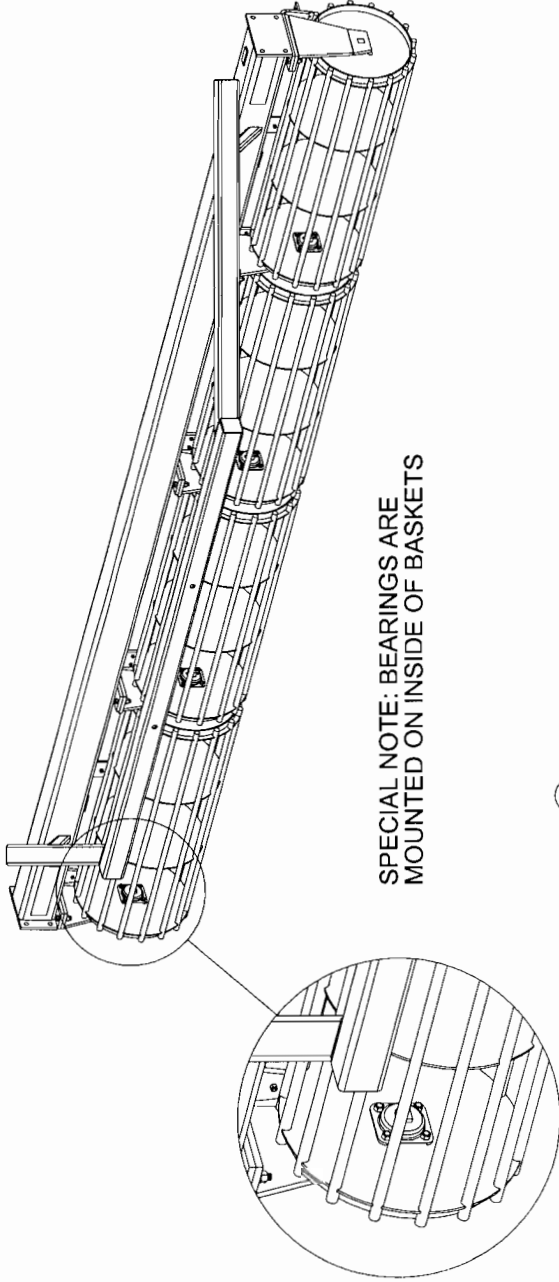


ITEM NO.	QTY.	PART NO.	DESCRIPTION
1	2	330936	2-1/2 x 10 STANDARD CYLINDER
2	4	330276	3/4M X 3/8F, NPT HYD EL
3	2	330201	3/8 FEMALE TEE
4	2	330737	3/8 X 3/8 FEMALE COUPLING
5	2	330173	1/2" TO 3/8" STRAIGHT ADAPTER
6	2	330311	HYDRAULIC MALE TIP

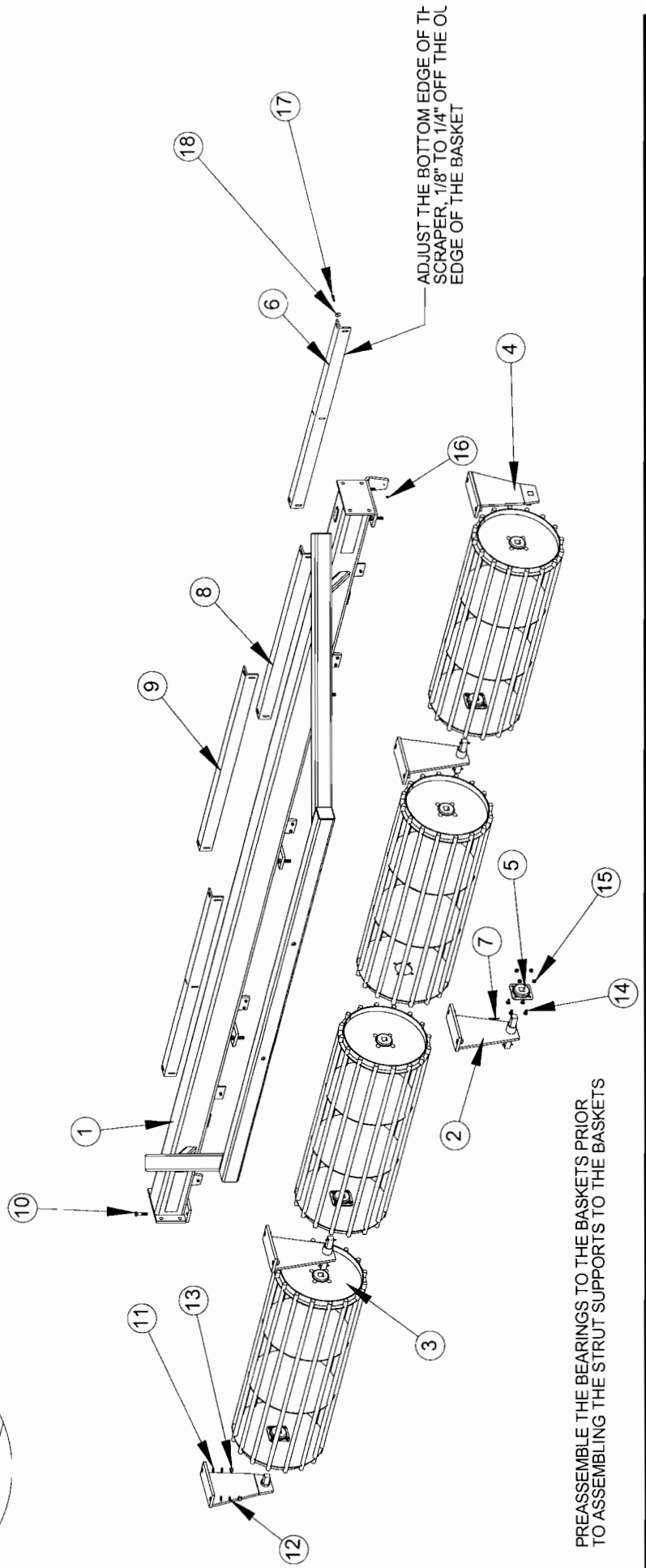
ITEM NO.	QTY.	PART NO.	DESCRIPTION
1	1	901207	19 FOOT RIGID SECTION
2	1	901229	TONGUE/10' EXTENSION ASSEMBLY
3	2	705538	WHEEL TOWER SUPPORT



ITEM NO.	QTY.	PART NO.	DESCRIPTION
1	1	705035	20 FOOT RIGID FRAME
2	3	705023	STRUT SUPPORT DOUBLE
3	4	705040	BASKET 56"
4	2	705022	STRUT SUPPORT SINGLE
5	8	311007	SEALED BEARING 1 1/4 SQ HOLE
6	2	508040	SCRAPER 59 3/8"
7	6	150443	3/8 X 2 1/2 ROLL PIN
8	1	508029	SCRAPER 54 11/16"
9	1	508042	SCRAPER 58 3/16"
10	10	150058	5/8 X 2 1/2 HHCS GR 2 ZC
11	10	150283	5/8 SAE FLATWASHER
12	10	150040	5/8 LOCKWASHER
13	10	150041	5/8 HEX NUT
14	32	150185	1/2 X 1 CGE SCREW GR 5 ZC
15	32	150112	1/2 CENTERLOCK HEX NUT
16	10	150042	3/8 CENTERLOCK HEX NUT
17	10	150333	3/8 X 1 1/2 HHCS GR2 ZC
18	10	150269	3/8 USS FLAT WASHER



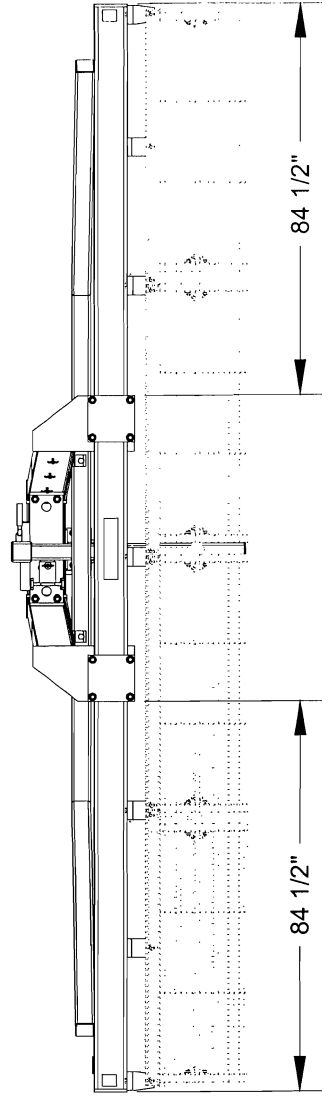
SPECIAL NOTE: BEARINGS ARE MOUNTED ON INSIDE OF BASKETS



PREASSEMBLE THE BEARINGS TO THE BASKETS PRIOR TO ASSEMBLING THE STRUT SUPPORTS TO THE BASKETS

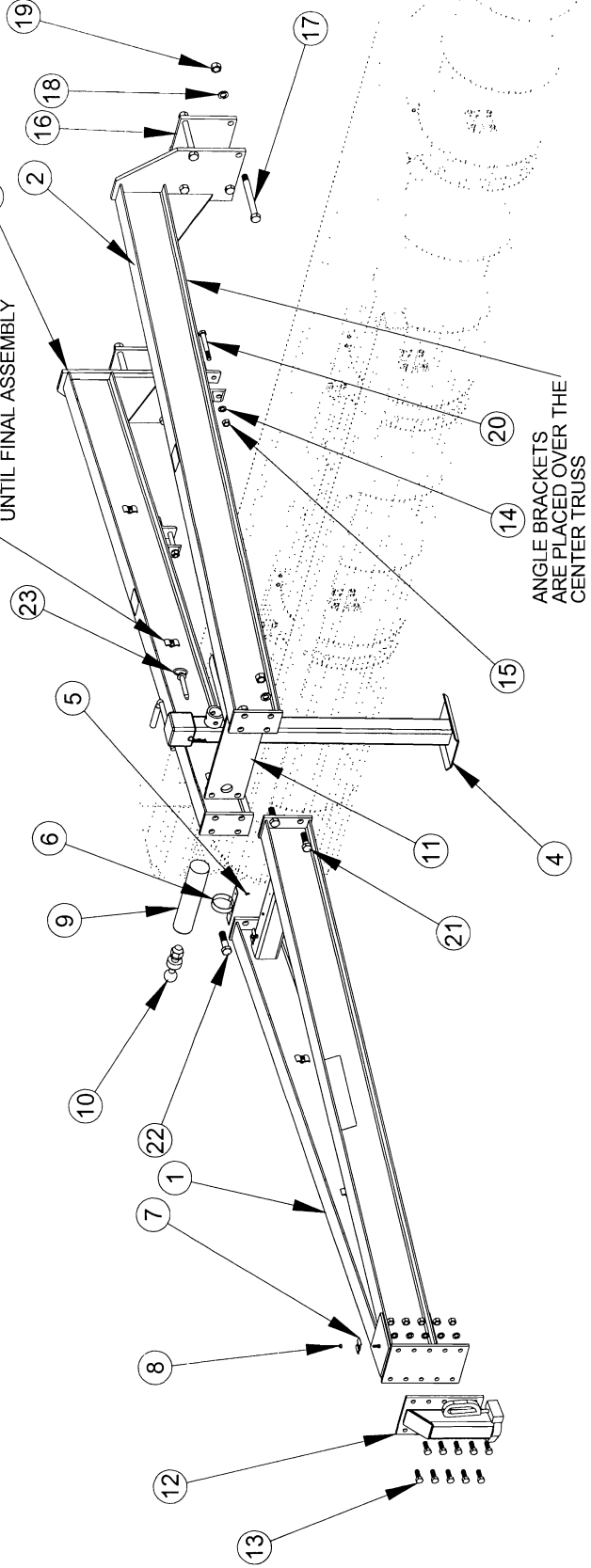
TEM NO.	QTY.	PART NO.	DESCRIPTION
1	1	1705000	STANDARD A-FRAME TONGUE
2	1	1705027	10' TONGUE EXTENSION (LT)
3	1	1705028	10' TONGUE EXTENSION (RT)
4	1	1508095	TF IMPLEMENT JACK
5	2	150492	1/4 X 1/2 SELF-TAPPING SCREW ZC
6	1	1350942	MANUAL HOLDER CLAMP
7	7	506722	PIPE CLAMP
8	7	150042	3/8 CENTERLOCK HEX NUT
9	1	1350941	PLASTIC MANUAL HOLDER TUBE
10	1	1300177	2 5/16" TRAILER BALL (HI-RISE) W/1 1/4" SHANK
11	1	1705079	JACK SUPPORT
12	1	1705026	HITCH TUBE
13	10	150057	3/4 X 2 HHCS GR 2 ZC
14	12	150037	3/4 SPLIT LOCKWASHER ZC
15	12	150038	3/4 HEX FINISH NUT ZC
16	2	508123	MOUNT PLATE
17	8	150742	1" X 10 HHCS GR5 ZC
18	16	150033	1" SPLIT LOCKWASHER
19	16	150034	1" HEX FINISH NUT
20	2	150016	3/4 X 6 HHCS GR2 ZC
21	4	150413	1 X 3 HHCS GR 5 ZC
22	4	150353	1 X 4 HHCS GR5 ZC
23	1	1351108	JACK PIN w/CLIP

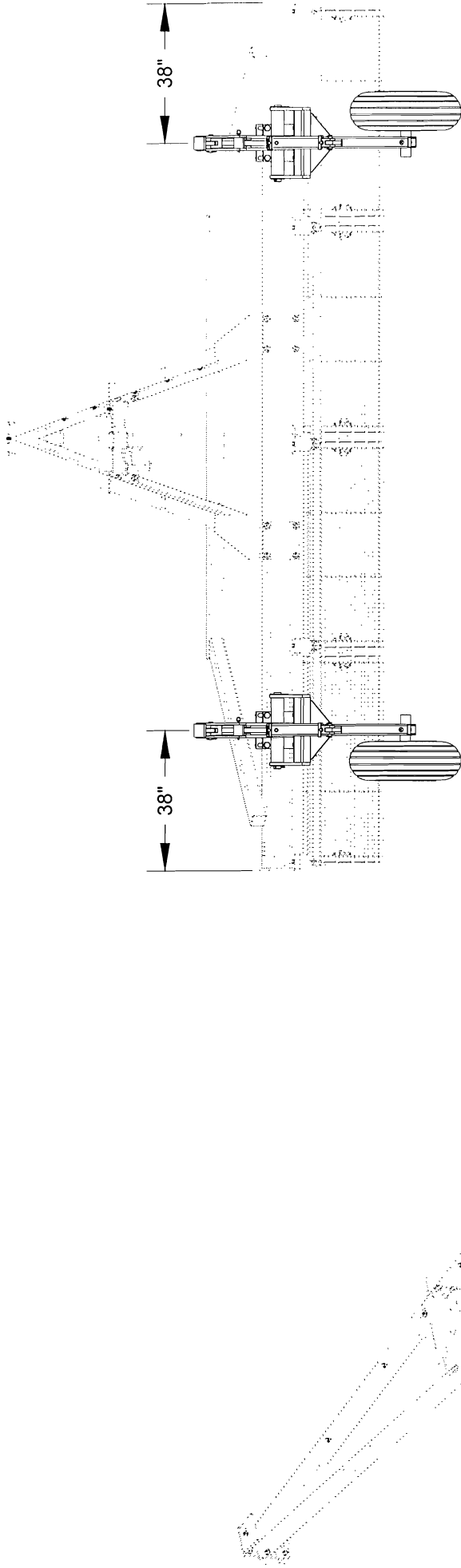
BACK VIEW



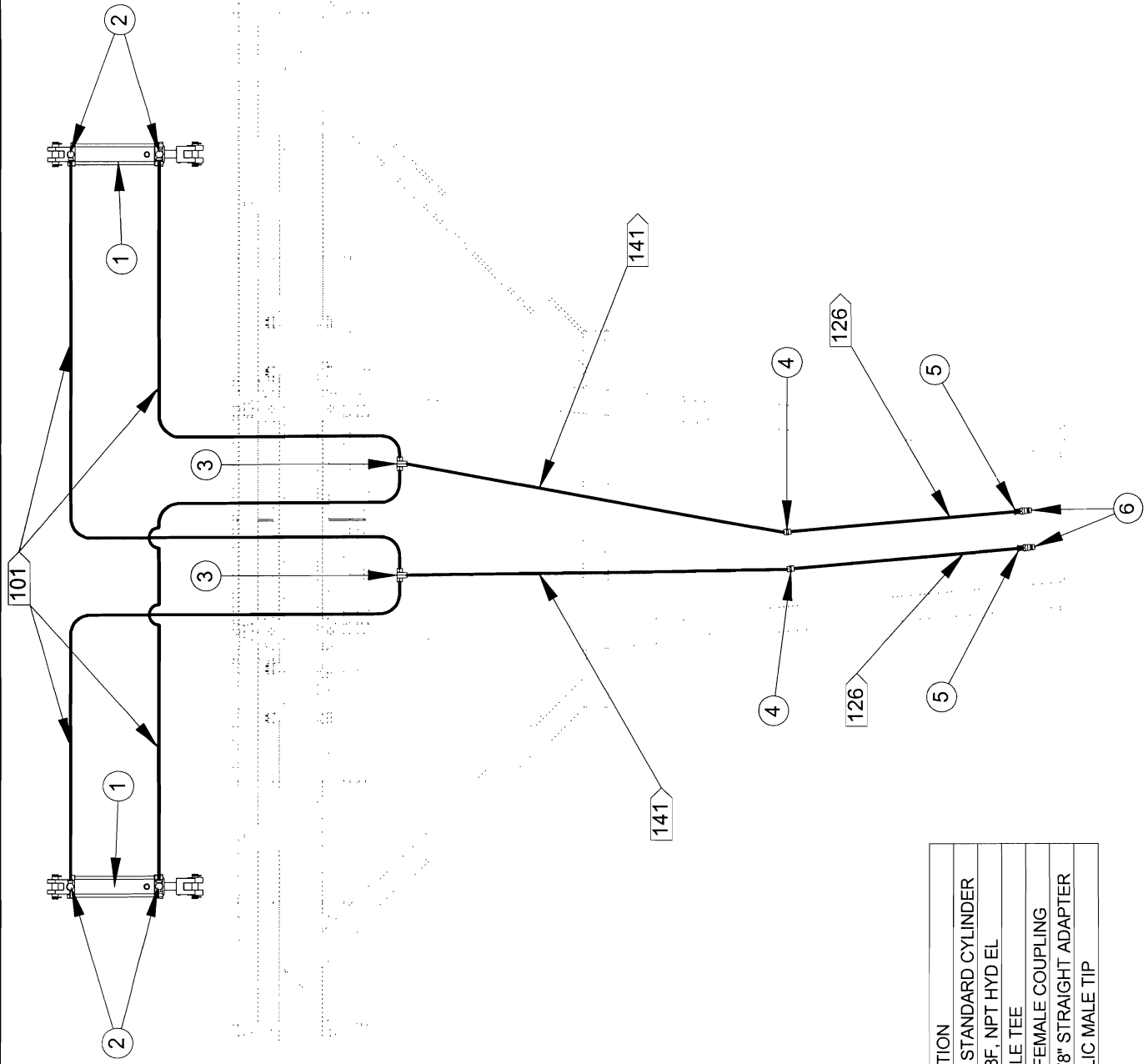
NOTE: THE TRAILER BALL AND THE IMPLEMENT MANUAL ARE PLACED INSIDE THE PLASTIC MANUAL HOLDER

PLACE PIPE CLAMPS AND NUTS ON HAND TIGHT, LEAVE LOOSE UNTIL FINAL ASSEMBLY

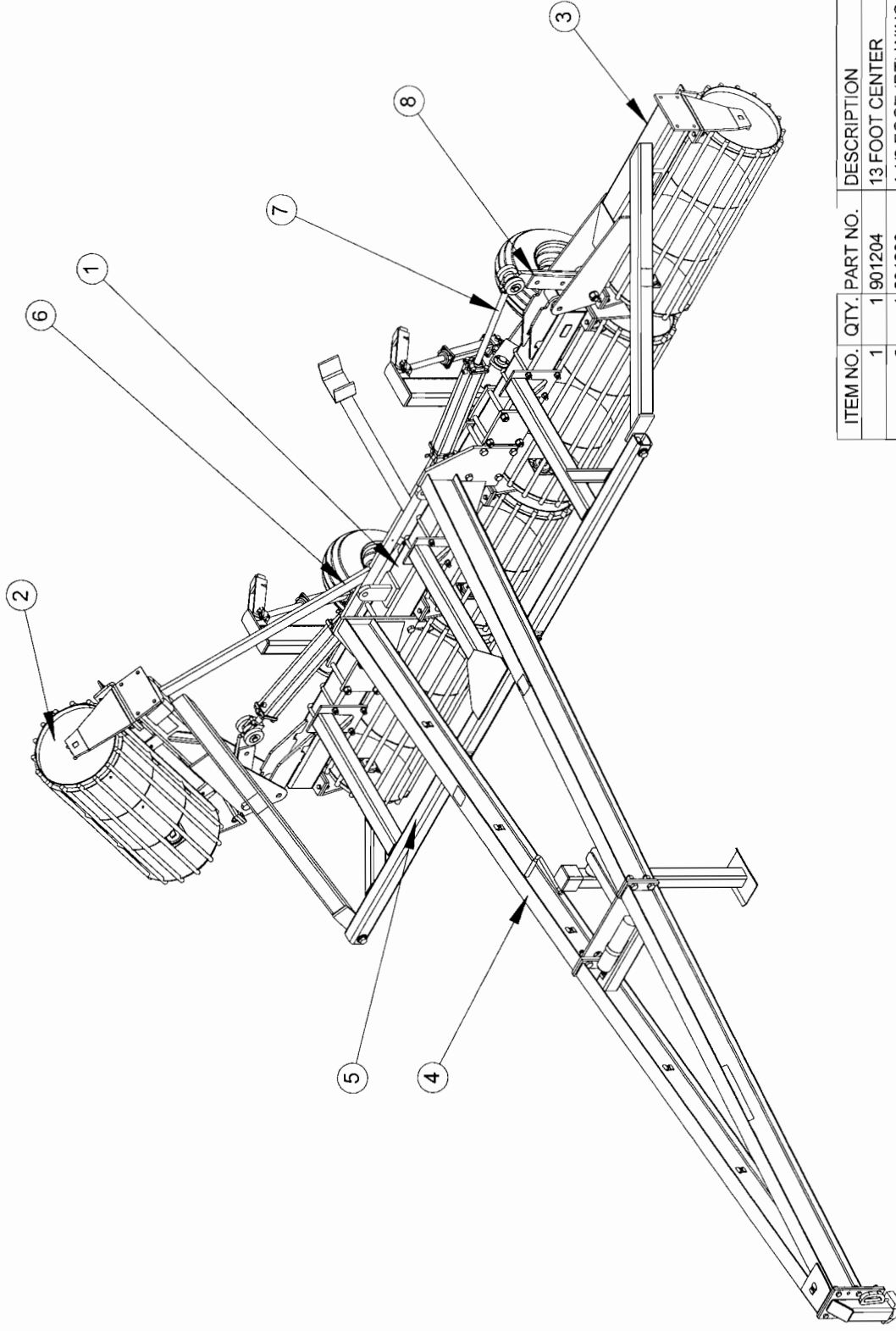




ITEM NO.	QTY.	PART NO.	DESCRIPTION
1	2	705538	WHEEL TOWER SUPPORT
2	8	150742	1" X 10 HHCS GR5 ZC
3	8	150033	1" SPLIT LOCKWASHER
4	2	508123	MOUNT PLATE
5	2	703533	ROAD LOCK-OUT - W.A. (WHITE)
6	8	150034	1" HEX FINISH NUT
7	2	150031	1/2 HEX FINISH NUT
8	2	800410	6- BOLT HUB & SPINDLE ASSY.
9	2	802107	11L X 15 - 8PLY TIRE ASSEMBLY
10	2	705535	ROCKSHAFT-DUALS
11	2	150183	1/2 X 3 1/2 HHCS GR 5 ZC
12	2	150030	1/2 SPLIT LOCKWASHER
13	2	150632	1 X 4 1/2 CLEVIS PIN
14	6	360587	UHMW BUSHING
15	2	150826	2" TYPE B NARROW FLAT WASHER
16	2	150047	.177 HAIRPIN COTTER
17	2	350530	3/8 X 4 3/8 HITCH PIN
18	2	150239	1/4 X 3 COTTER PIN
19	2	705534	SHAFT
20	2	330936	2-1/2 x 10 STANDARD CYLINDER



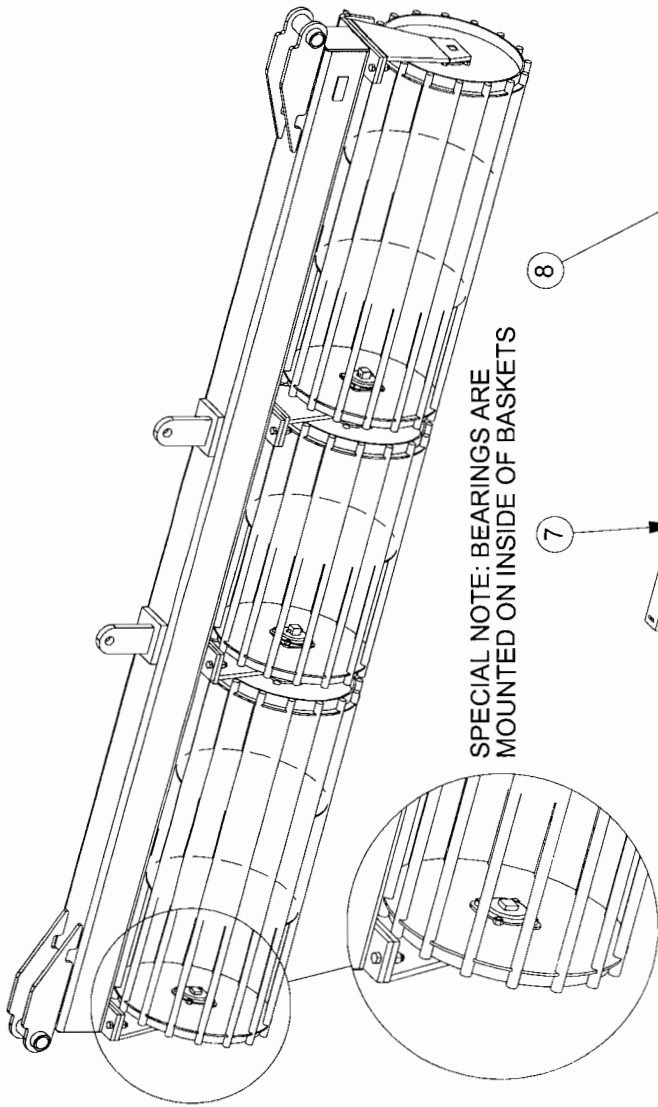
TEM NO.	QTY.	PART NO.	DESCRIPTION
1	2	330936	2-1/2 x 10 STANDARD CYLINDER
2	4	330276	3/4M X 3/8F, NPT HYD EL
3	2	330201	3/8 FEMALE TEE
4	2	330737	3/8 X 3/8 FEMALE COUPLING
5	2	330173	1/2" TO 3/8" STRAIGHT ADAPTER
6	2	330311	HYDRAULIC MALE TIP



ITEM NO.	QTY.	PART NO.	DESCRIPTION
1	1	901204	13 FOOT CENTER
2	1	901206	4 1/2 FOOT (RT) WING
3	1	901218	4 1/2 FOOT (LT) WING
4	1	901229	TONGUE/10' EXTENSION ASSEMBLY
5	1	705014	CENTER TRUSS (22 & 29)
6	1	705590	WING REST (22 & 29)
7	2	330539	3 1/2 x 24 WINGFOLD CYLINDER
8	2	705068	LINK 45° (22, 29, 34, 36)



ITEM NO.	QTY.	PART NO.	DESCRIPTION
1	1	1705037	13 FOOT CENTER FRAME
2	2	2705023	STRUT SUPPORT DOUBLE
3	2	2705022	STRUT SUPPORT SINGLE
4	6	6311007	SEALED BEARING 1 1/4 SQ HOLE
5	1	1705032	BASKET 37"
6	2	2705038	BASKET 53"
7	2	508108	SCRAPER 56 3/8"
8	1	508109	SCRAPER 35 3/4"
9	4	150443	3/8 X 2 1/2 ROLL PIN
10	8	150058	5/8 X 2 1/2 HHCS GR 2 ZC
11	8	150283	5/8 SAE FLATWASHER
12	8	150040	5/8 LOCKWASHER
13	8	150041	5/8 HEX NUT
14	24	150185	1/2 X 1 CGE SCREW GR 5 ZC
15	24	150112	1/2 CENTERLOCK HEX NUT
16	5	150042	3/8 CENTERLOCK HEX NUT
17	5	150333	3/8 X 1 1/2 HHCS GR2 ZC
18	5	150269	3/8 USS FLAT WASHER

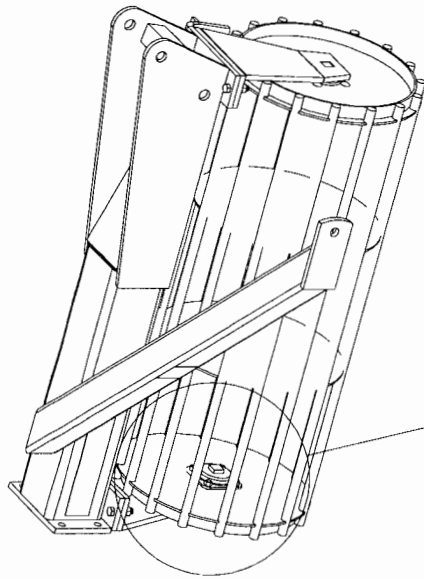


SPECIAL NOTE: BEARINGS ARE MOUNTED ON INSIDE OF BASKETS

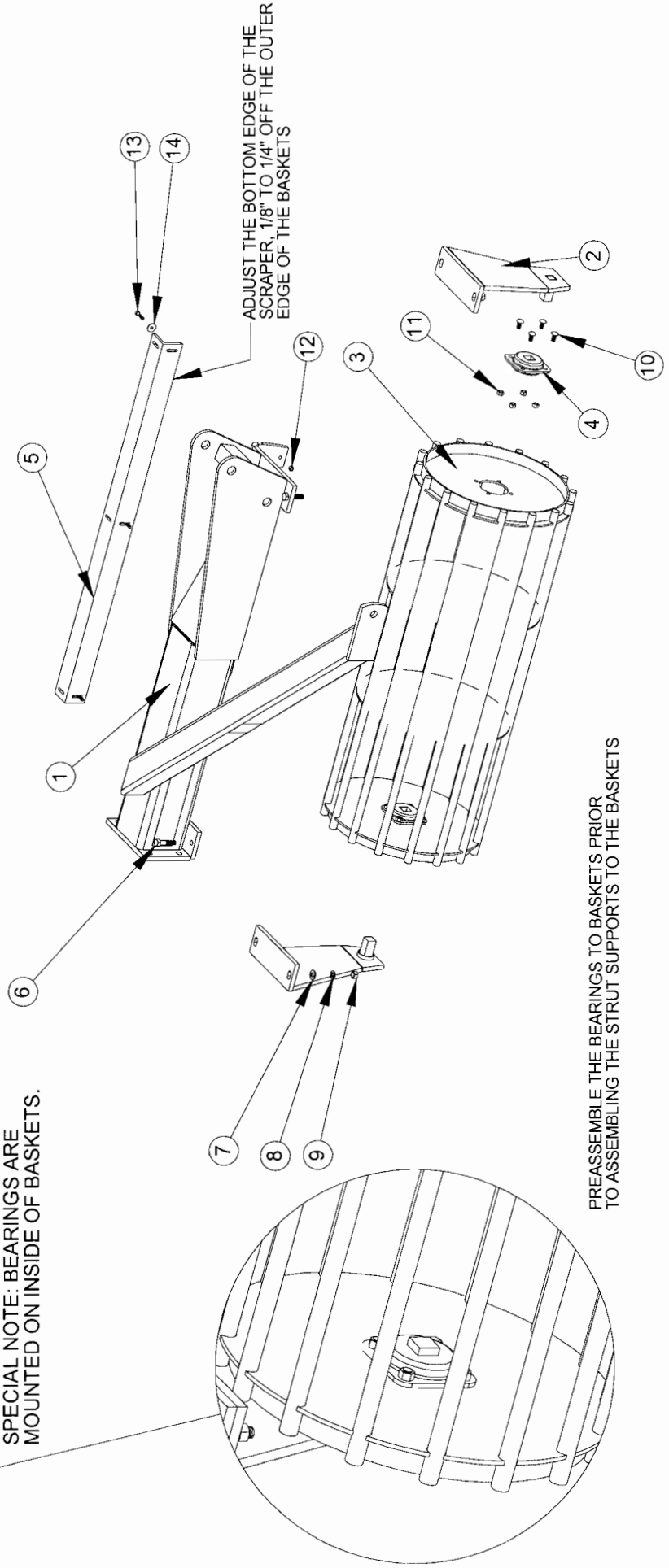
ADJUST THE BOTTOM EDGE OF THE SCRAPER, 1/8" TO 1/4" OFF THE OUTER EDGE OF THE BASKETS

PREASSEMBLE THE BEARINGS TO BASKETS PRIOR TO ASSEMBLING THE STRUT SUPPORTS TO THE BASKETS

ITEM NO.	QTY.	PART NO.	DESCRIPTION
1	1	1705001	4 1/2 FOOT WING (RT)
2	2	2705022	STRUT SUPPORT SINGLE
3	1	705038	BASKET 53"
4	2	311007	SEALED BEARING 1 1/4 SQ HOLE
5	1	508051	SCRAPER 54 3/16"
6	4	150058	5/8 X 2 1/2 HHCS GR 2 ZC
7	4	150283	5/8 SAE FLATWASHER
8	4	150040	5/8 LOCKWASHER
9	4	150041	5/8 HEX NUT
10	8	150185	1/2 X 1 CGE SCREW GR 5 ZC
11	8	150112	1/2 CENTERLOCK HEX NUT
12	3	150042	3/8 CENTERLOCK HEX NUT
13	3	150333	3/8 X 1 1/2 HHCS GR2 ZC
14	3	150269	3/8 USS FLAT WASHER

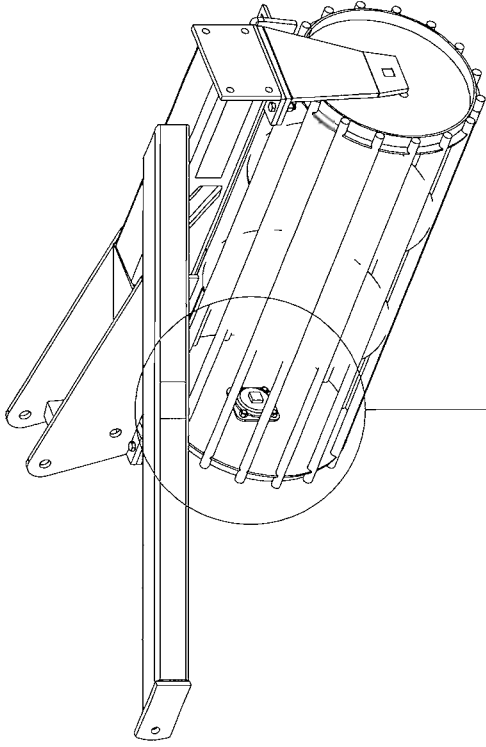


SPECIAL NOTE: BEARINGS ARE MOUNTED ON INSIDE OF BASKETS.

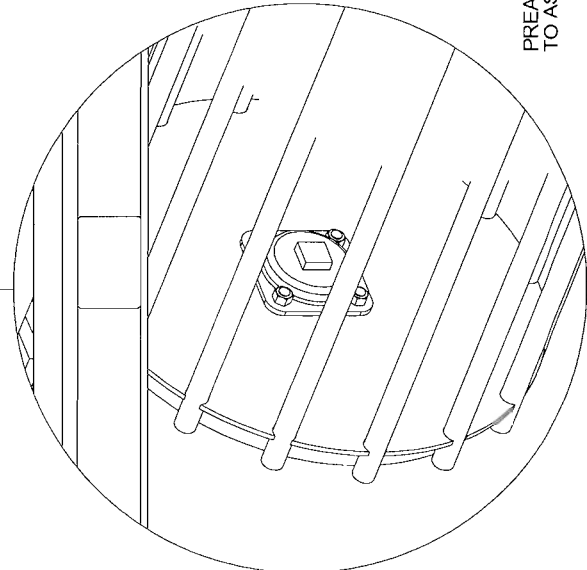
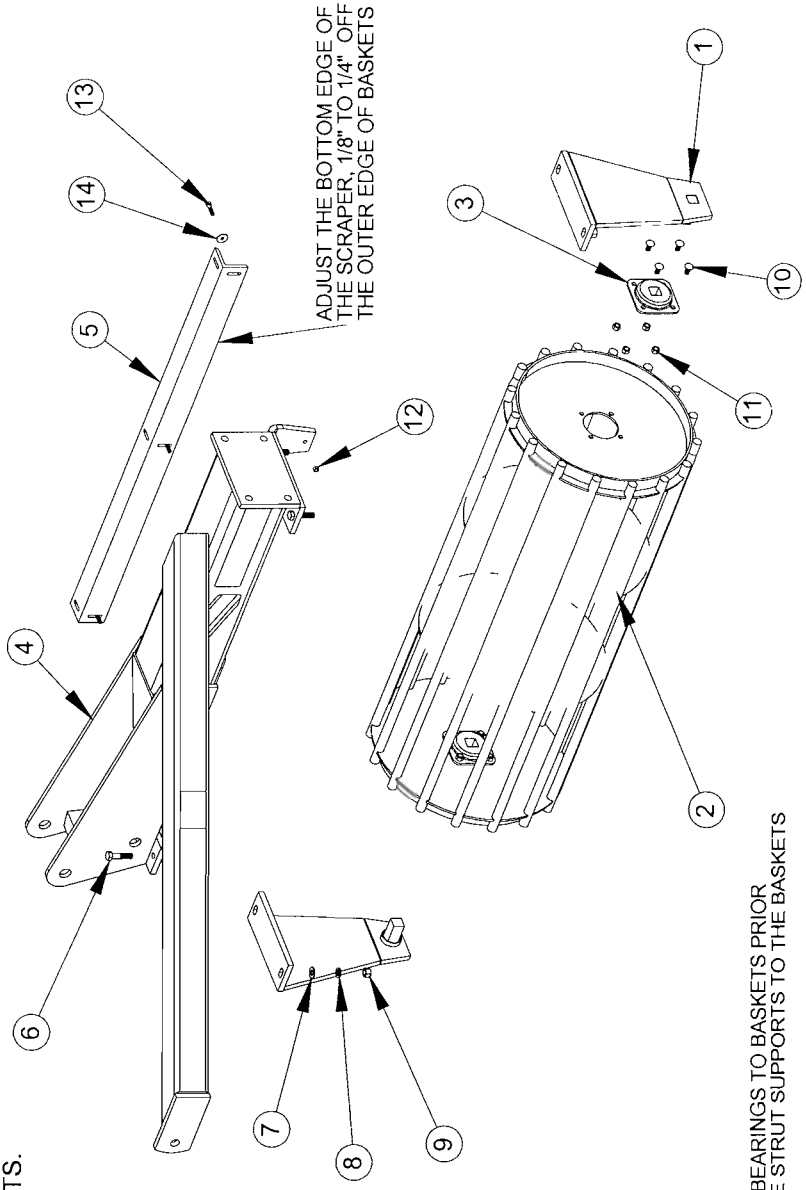


PREASSEMBLE THE BEARINGS TO BASKETS PRIOR TO ASSEMBLING THE STRUT SUPPORTS TO THE BASKETS

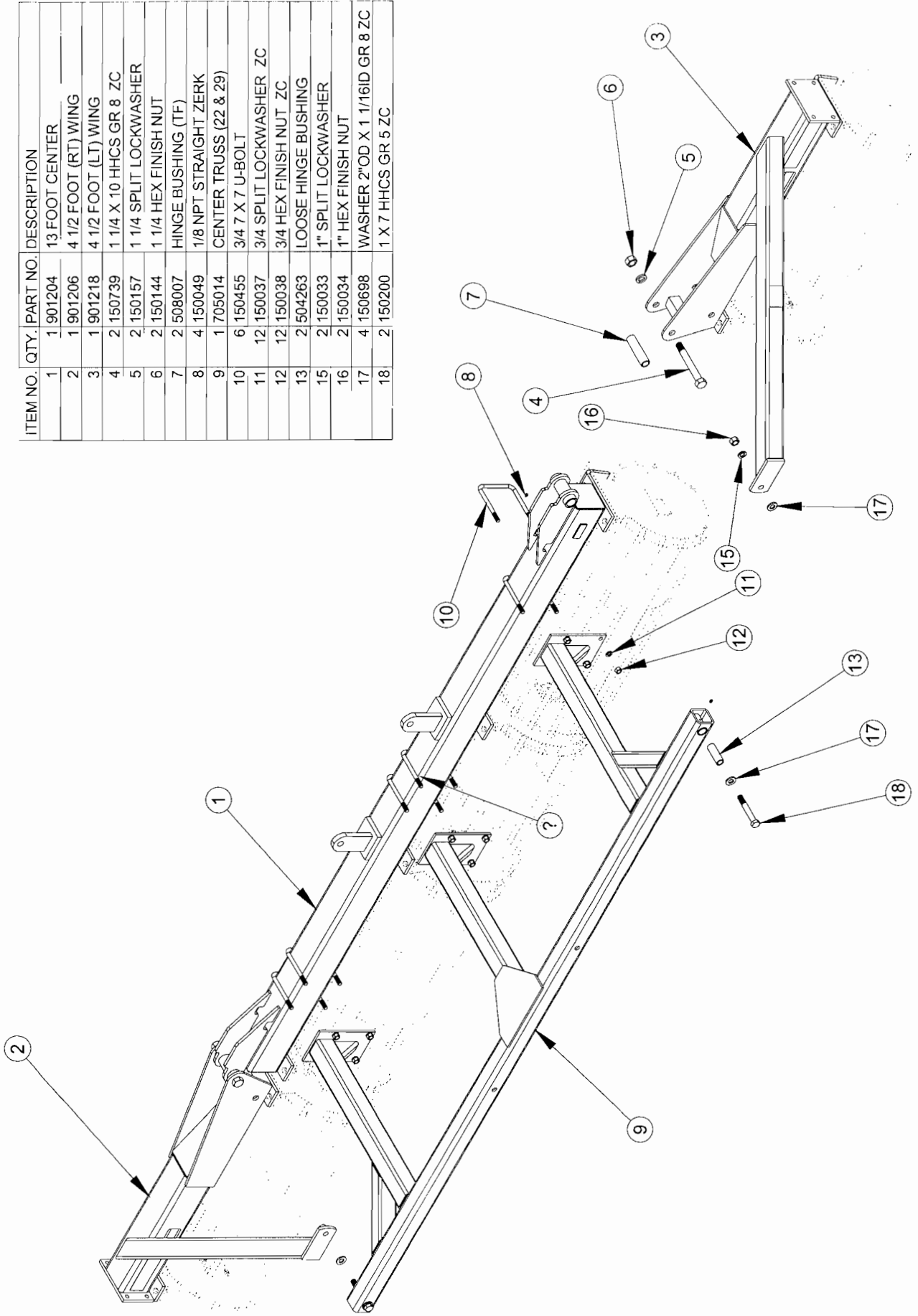
ITEM NO.	QTY.	PART NO.	DESCRIPTION
1	2	705022	STRUT SUPPORT SINGLE
2	1	705038	BASKET 53"
3	2	311007	SEALED BEARING 1 1/4 SQ HOLE
4	1	705002	4 1/2 FOOT (LT) WING
5	1	508051	SCRAPER 54 3/16"
6	4	150058	5/8 X 2 1/2 HHCS GR 2 ZC
7	4	150283	5/8 SAE FLATWASHER
8	4	150040	5/8 LOCKWASHER
9	4	150041	5/8 HEX NUT
10	8	150185	1/2 X 1 CGE SCREW GR 5 ZC
11	8	150112	1/2 CENTERLOCK HEX NUT
12	3	150042	3/8 CENTERLOCK HEX NUT
13	3	150333	3/8 X 1 1/2 HHCS GR2 ZC
14	3	150269	3/8 USS FLAT WASHER



SPECIAL NOTE: BEARINGS ARE MOUNTED ON INSIDE OF BASKETS.



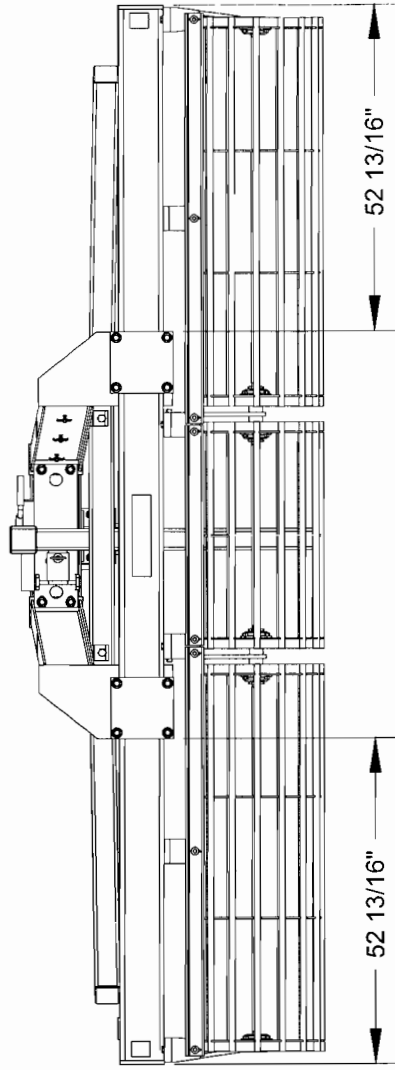
PREASSEMBLE THE BEARINGS TO BASKETS PRIOR TO ASSEMBLING THE STRUT SUPPORTS TO THE BASKETS



ITEM NO.	QTY.	PART NO.	DESCRIPTION
1	1	901204	13 FOOT CENTER
2	1	901206	4 1/2 FOOT (RT) WING
3	1	901218	4 1/2 FOOT (LT) WING
4	2	150739	1 1/4 X 10 HHCS GR 8 ZC
5	2	150157	1 1/4 SPLIT LOCKWASHER
6	2	150144	1 1/4 HEX FINISH NUT
7	2	508007	HINGE BUSHING (TF)
8	4	150049	1/8 NPT STRAIGHT ZERK
9	1	705014	CENTER TRUSS (22 & 29)
10	6	150455	3/4 X 7 U-BOLT
11	12	150037	3/4 SPLIT LOCKWASHER ZC
12	12	150038	3/4 HEX FINISH NUT ZC
13	2	504263	LOOSE HINGE BUSHING
15	2	150033	1" SPLIT LOCKWASHER
16	2	150034	1" HEX FINISH NUT
17	4	150698	WASHER 2"OD X 1 1/16ID GR 8 ZC
18	2	150200	1 X 7 HHCS GR 5 ZC

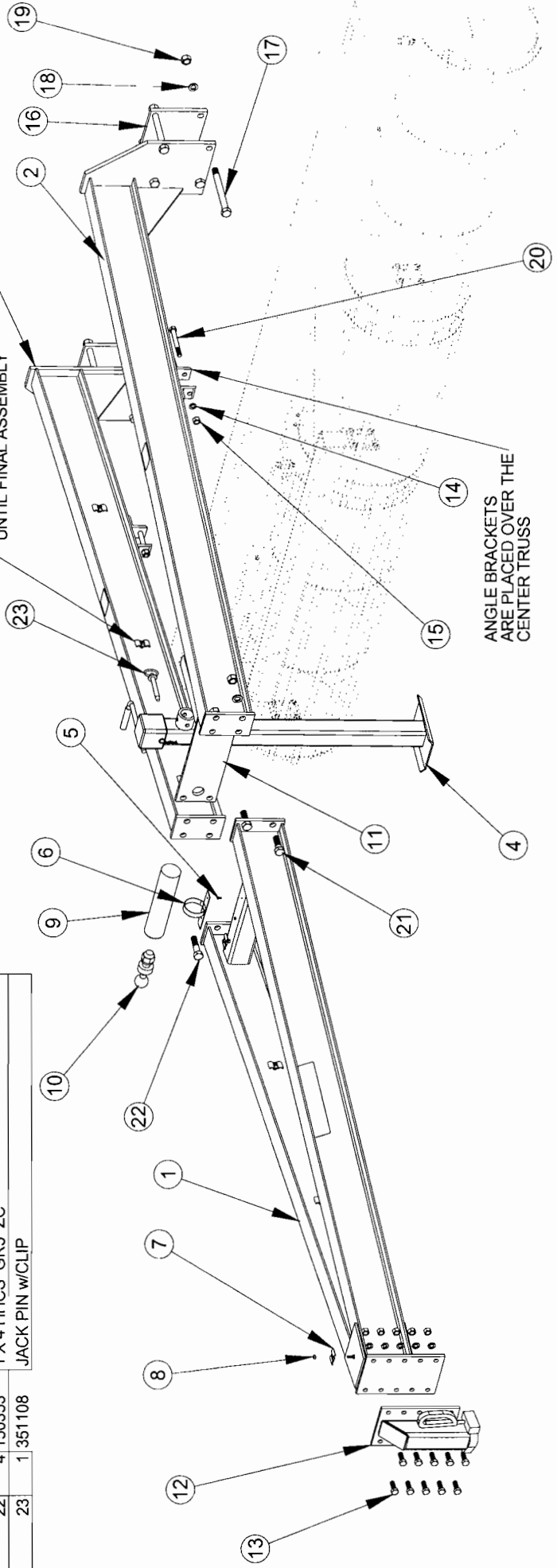
ITEM NO.	QTY.	PART NO.	DESCRIPTION
1	1	705000	STANDARD A-FRAME TONGUE
2	1	705027	10' TONGUE EXTENSION (LT)
3	1	705028	10' TONGUE EXTENSION (RT)
4	1	508095	TF IMPLEMENT JACK
5	2	150492	1/4 X 1/2 SELF-TAPPING SCREW ZC
6	1	350942	MANUAL HOLDER CLAMP
7	7	506722	PIPE CLAMP
8	7	150042	3/8 CENTERLOCK HEX NUT
9	1	350941	PLASTIC MANUAL HOLDER TUBE
10	1	300177	2 5/16" TRAILER BALL (HI-RISE) W/1 1/4" SHANK
11	1	705079	JACK SUPPORT
12	1	705026	HITCH TUBE
13	10	150057	3/4 X 2 HHCS GR 2 ZC
14	12	150037	3/4 SPLIT LOCKWASHER ZC
15	12	150038	3/4 HEX FINISH NUT ZC
16	2	508123	MOUNT PLATE
17	8	150742	1" X 10 HHCS GR5 ZC
18	16	150033	1" SPLIT LOCKWASHER
19	16	150034	1" HEX FINISH NUT
20	2	150016	3/4 X 6 HHCS GR2 ZC
21	4	150413	1 X 3 HHCS GR 5 ZC
22	4	150353	1 X 4 HHCS GR5 ZC
23	1	351108	JACK PIN w/CLIP

BACK VIEW

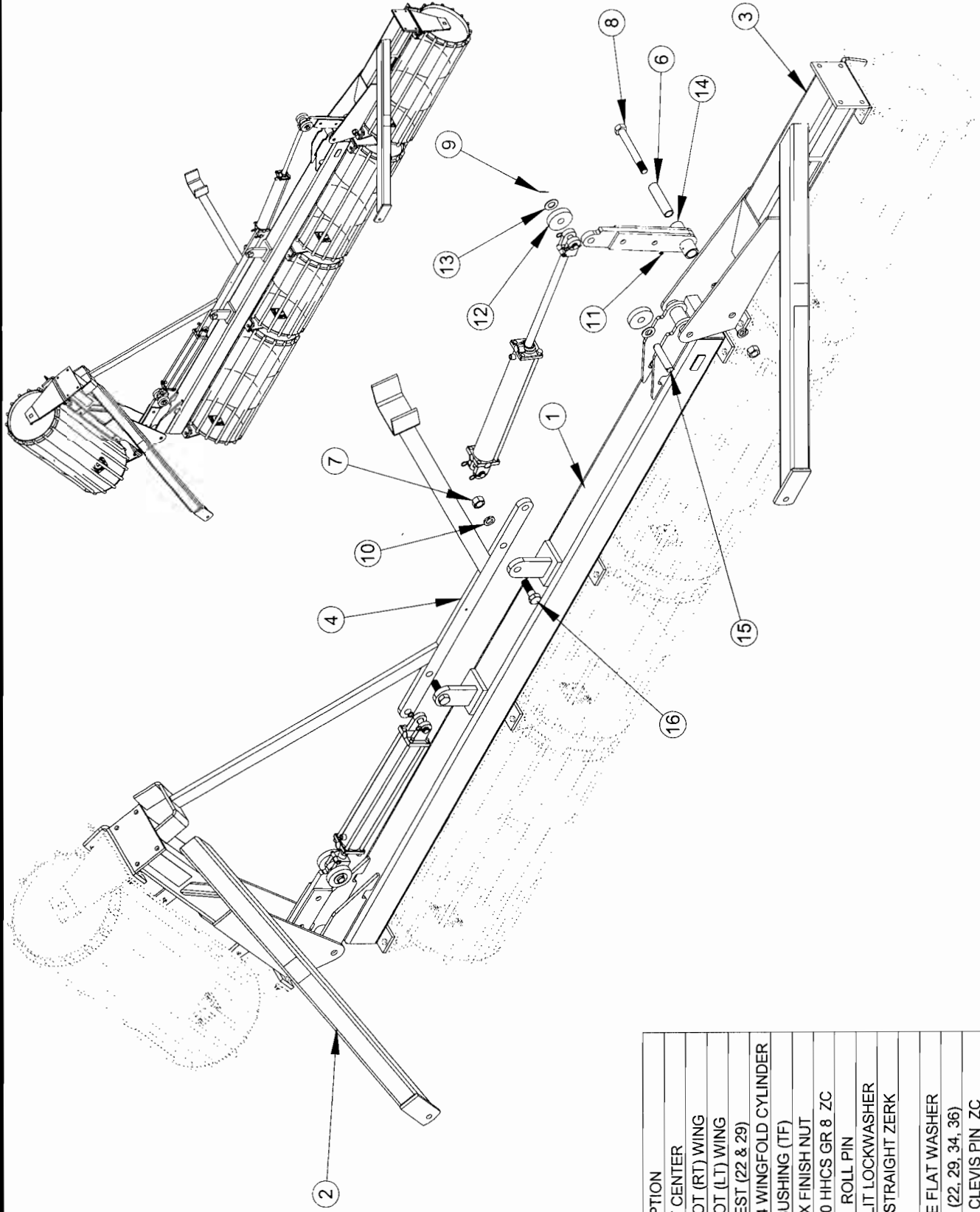


NOTE: THE TRAILER BALL AND THE IMPLEMENT MANUAL ARE PLACED INSIDE THE PLASTIC MANUAL HOLDER

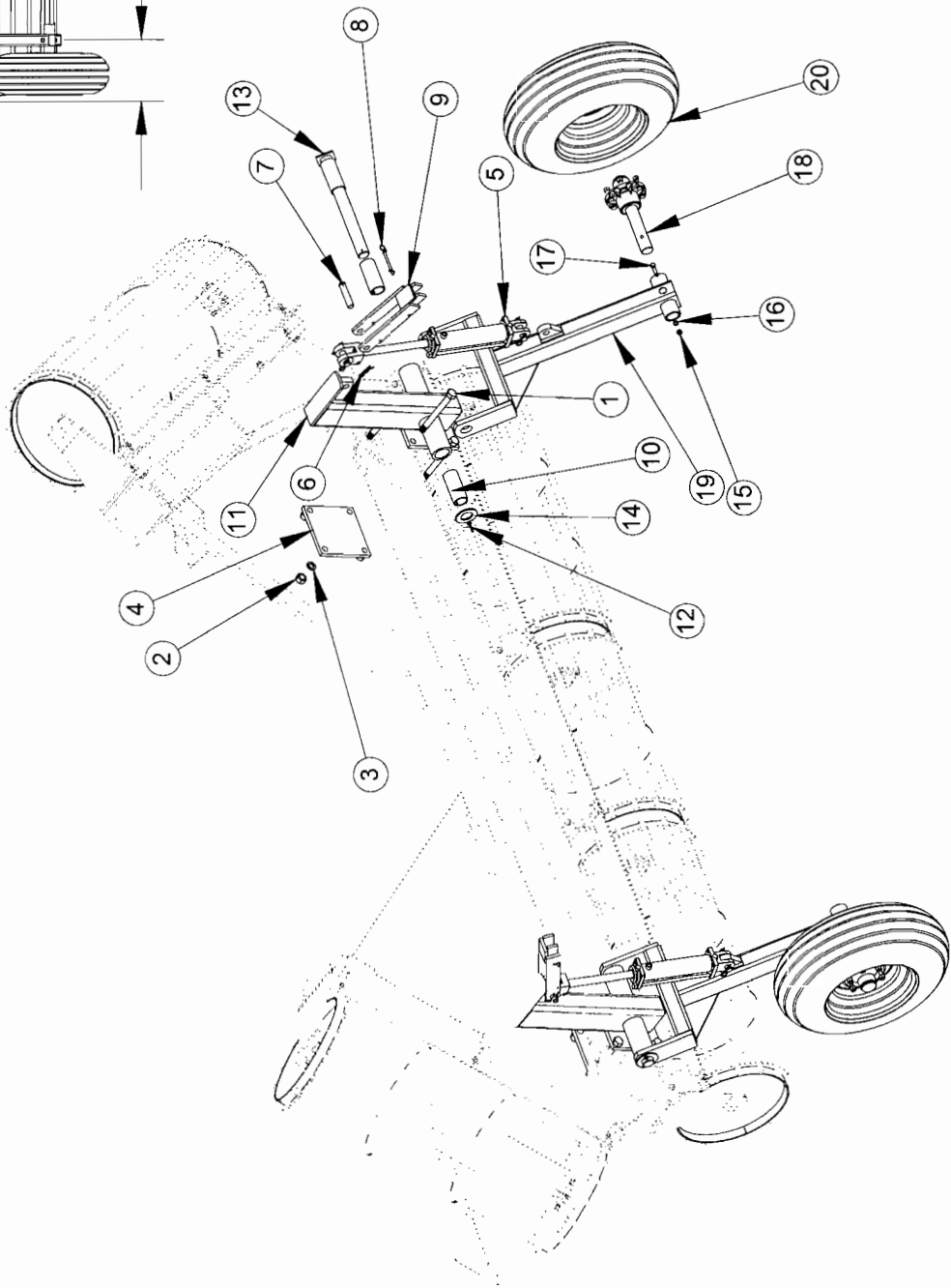
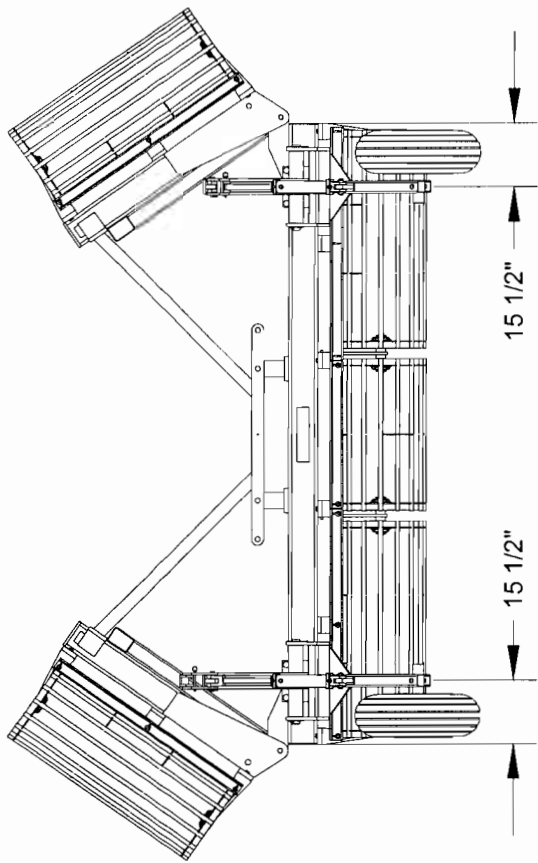
PLACE PIPE CLAMPS AND NUTS ON HAND TIGHT, LEAVE LOOSE UNTIL FINAL ASSEMBLY



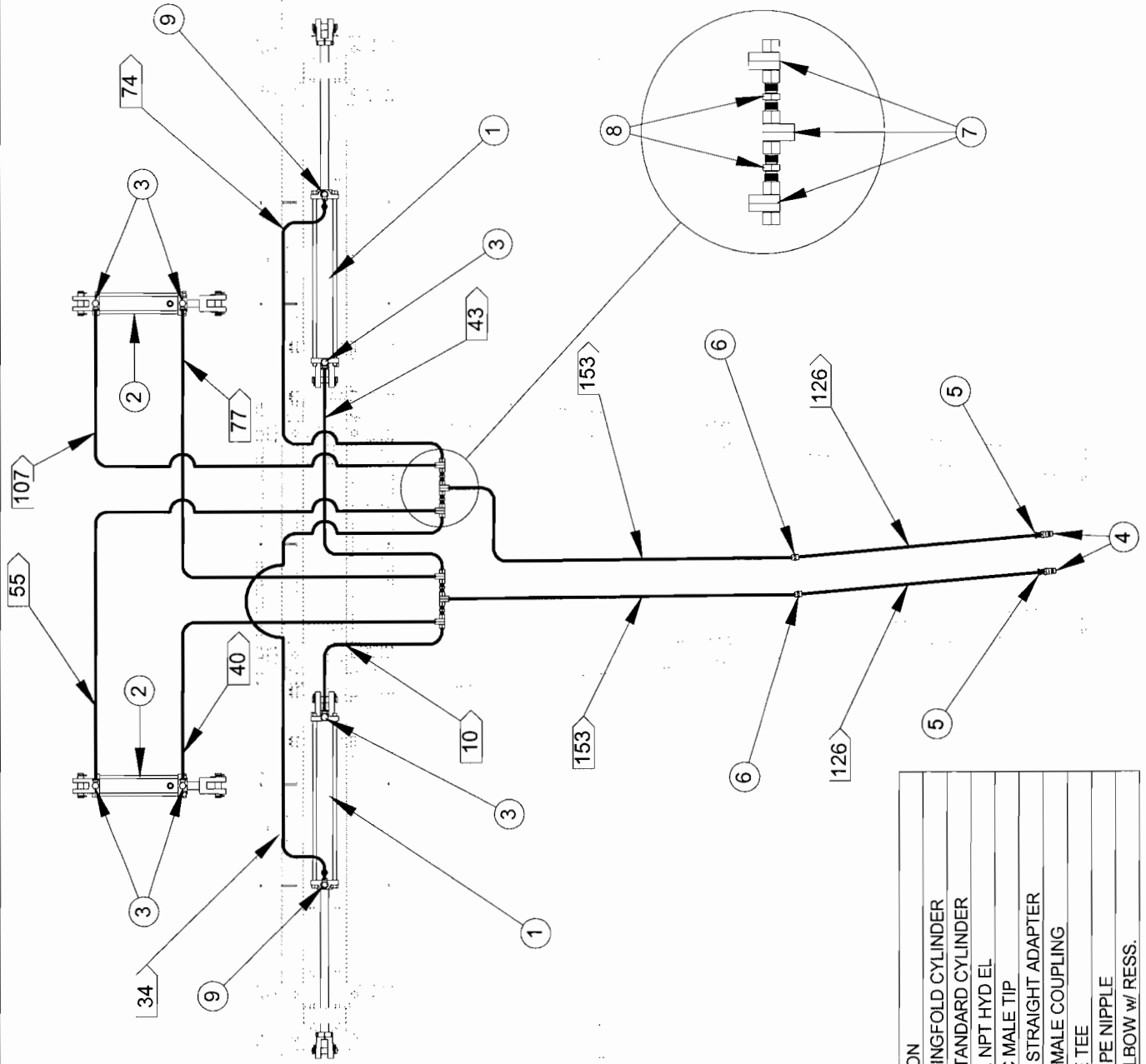
ANGLE BRACKETS ARE PLACED OVER THE CENTER TRUSS



ITEM NO.	QTY.	PART NO.	DESCRIPTION
1	1	901204	13 FOOT CENTER
2	1	901206	4 1/2 FOOT (RT) WING
3	1	901218	4 1/2 FOOT (LT) WING
4	1	705590	WING REST (22 & 29)
5	2	330539	3 1/2 x 24 WINGFOLD CYLINDER
6	2	508007	HINGE BUSHING (TF)
7	4	150144	1 1/4 HEX FINISH NUT
8	2	150739	1 1/4 X 10 HHCS GR 8 ZC
9	4	150166	3/16 X 2 ROLL PIN
10	4	150157	1 1/4 SPLIT LOCKWASHER
11	4	150049	1/8 NPT STRAIGHT ZERK
12	4	506727	ROLLER
13	4	150172	1 1/4 SAE FLAT WASHER
14	2	705068	LINK 45° (22, 29, 34, 36)
15	2	350861	1-1/4 x 6 CLEVIS PIN ZC
16	2	150578	1 1/4 X 4 HHCS GR 5 ZC

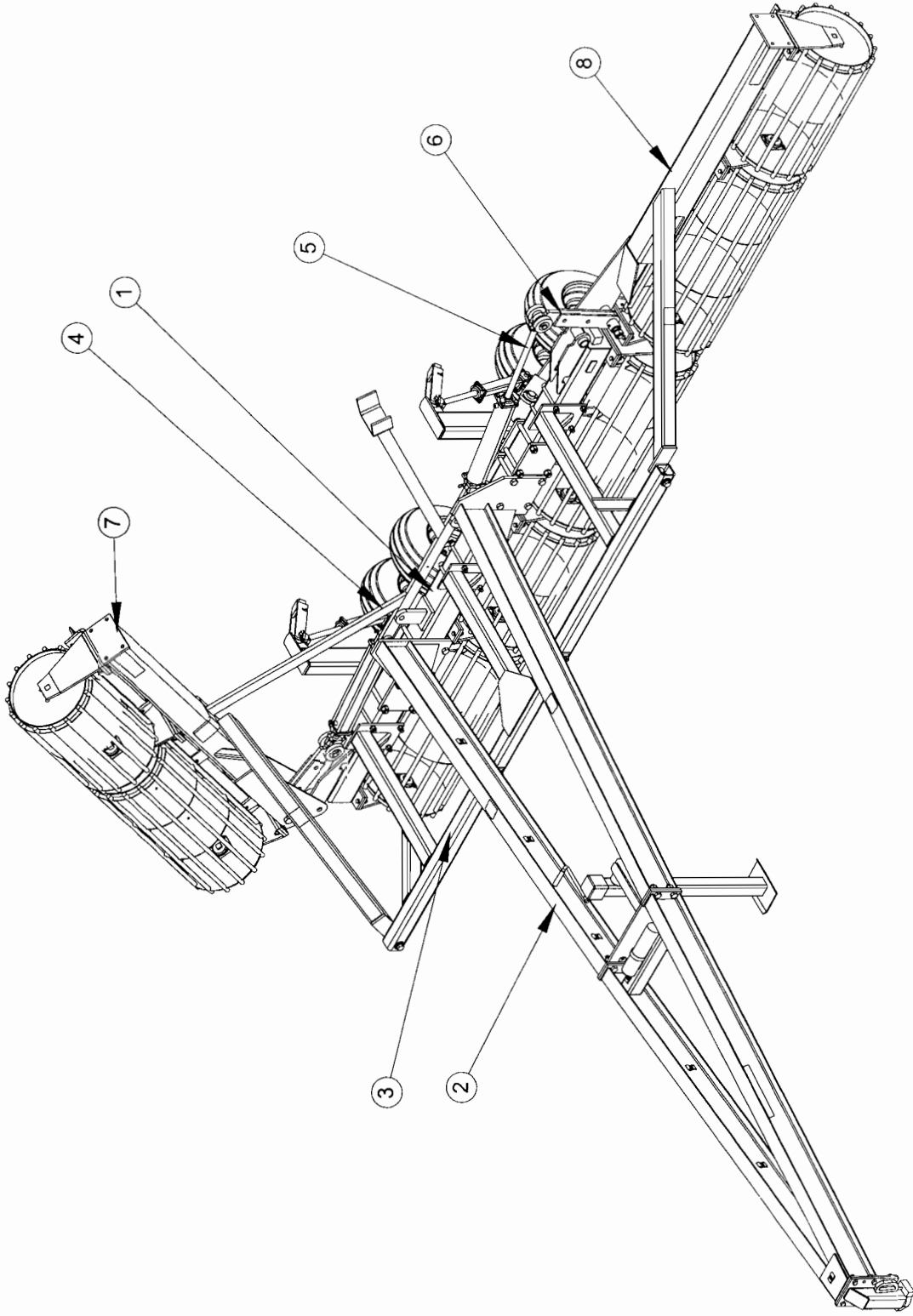


ITEM NO.	QTY.	PART NO.	DESCRIPTION
1	8	150742	1" X 10 HHCS GR5 ZC
2	8	150034	1" HEX FINISH NUT
3	8	150033	1" SPLIT LOCKWASHER
4	2	508123	MOUNT PLATE
5	2	330936	2-1/2 x 10 STANDARD CYLINDER
6	2	150047	.177 HAIRPIN COTTER
7	2	150632	1 X 4 1/2 CLEVIS PIN
8	2	350530	3/8 X 4 3/8 HITCH PIN
9	2	703533	ROAD LOCK-OUT - W.A. (WHITE)
10	6	360587	UHMW BUSHING
11	2	705538	WHEEL TOWER SUPPORT
12	2	150239	1/4 X 3 COTTER PIN
13	2	705534	SHAFT
14	2	150826	2" TYPE B NARROW FLAT WASHER
15	2	150031	1/2 HEX FINISH NUT
16	2	150030	1/2 SPLIT LOCKWASHER
17	2	150183	1/2 X 3 1/2 HHCS GR 5 ZC
18	2	800410	6 - BOLT HUB & SPINDLE ASSY.
19	2	705535	ROCKSHAFT-DUALS
20	2	802107	11L X 15 - 8PLY TIRE ASSEMBLY



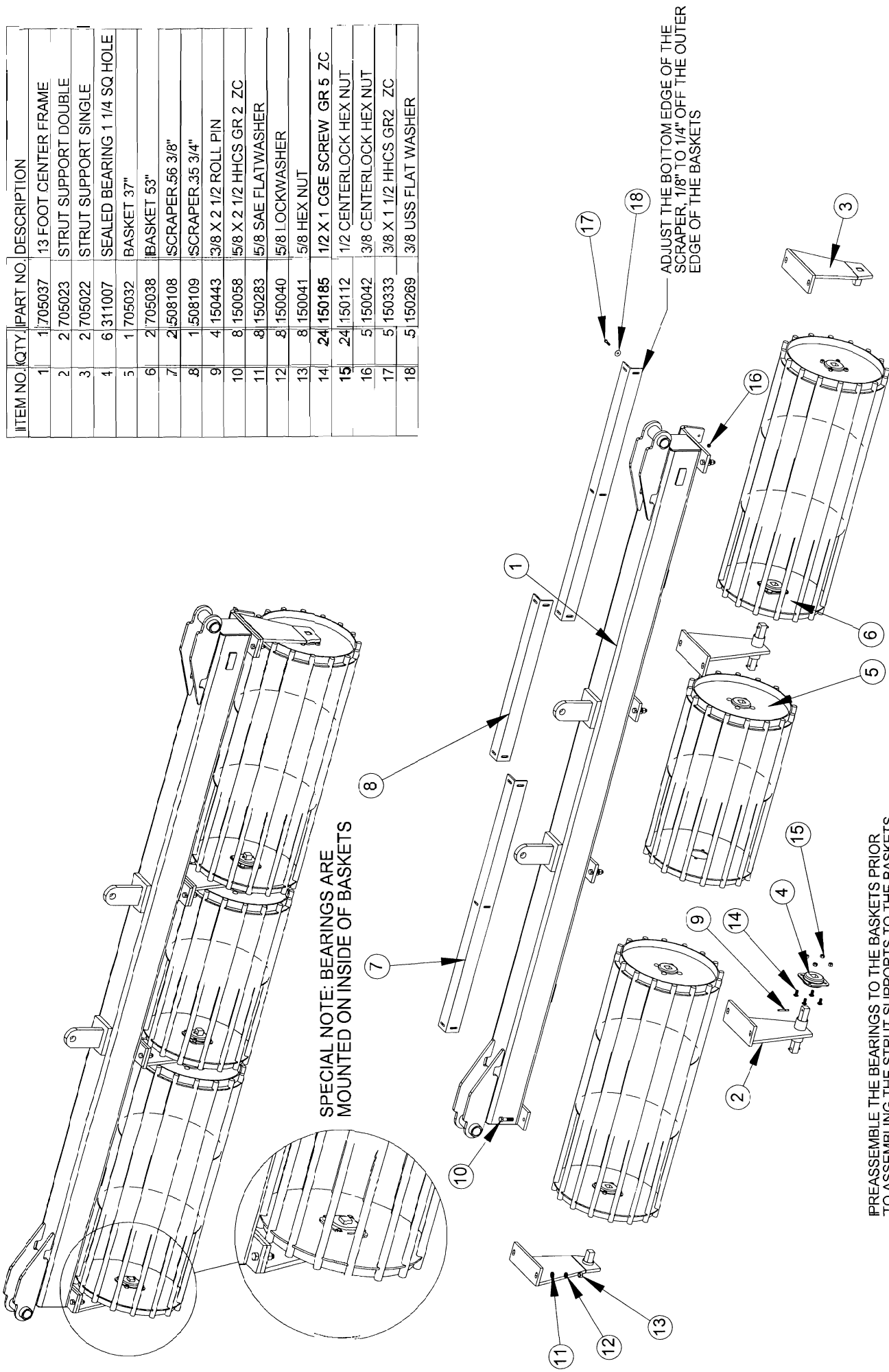
ITEM NO.	QTY.	PART NO.	DESCRIPTION
1	2	330539	3 1/2 x 24 WINGFOLD CYLINDER
2	2	330936	2-1/2 x 10 STANDARD CYLINDER
3	6	330276	3/4M X 3/8F. NPT HYD EL.
4	2	330311	HYDRAULIC MALE TIP
5	2	330173	1/2" TO 3/8" STRAIGHT ADAPTER
6	2	330737	3/8 X 3/8 FEMALE COUPLING
7	6	330201	3/8 FEMALE TEE
8	4	330292	3/8 MALE PIPE NIPPLE
9	2	330275	90° MALE ELBOW w/ RESS.





ITEM NO.	QTY.	PART NO.	DESCRIPTION
1	1	901204	13 FOOT CENTER
2	1	901229	TONGUE/10' EXTENSION ASSEMBLY
3	1	705014	CENTER TRUSS (22 & 29)
4	1	705590	WING REST (22 & 29)
5	2	330539	3 1/2 x 24 WINGFOLD CYLINDER
6	1	705068	LINK 45° (22, 29, 34, 36)
7	1	901211	8 FOOT (RT) WING
8	1	901219	8 FOOT (LT) WING

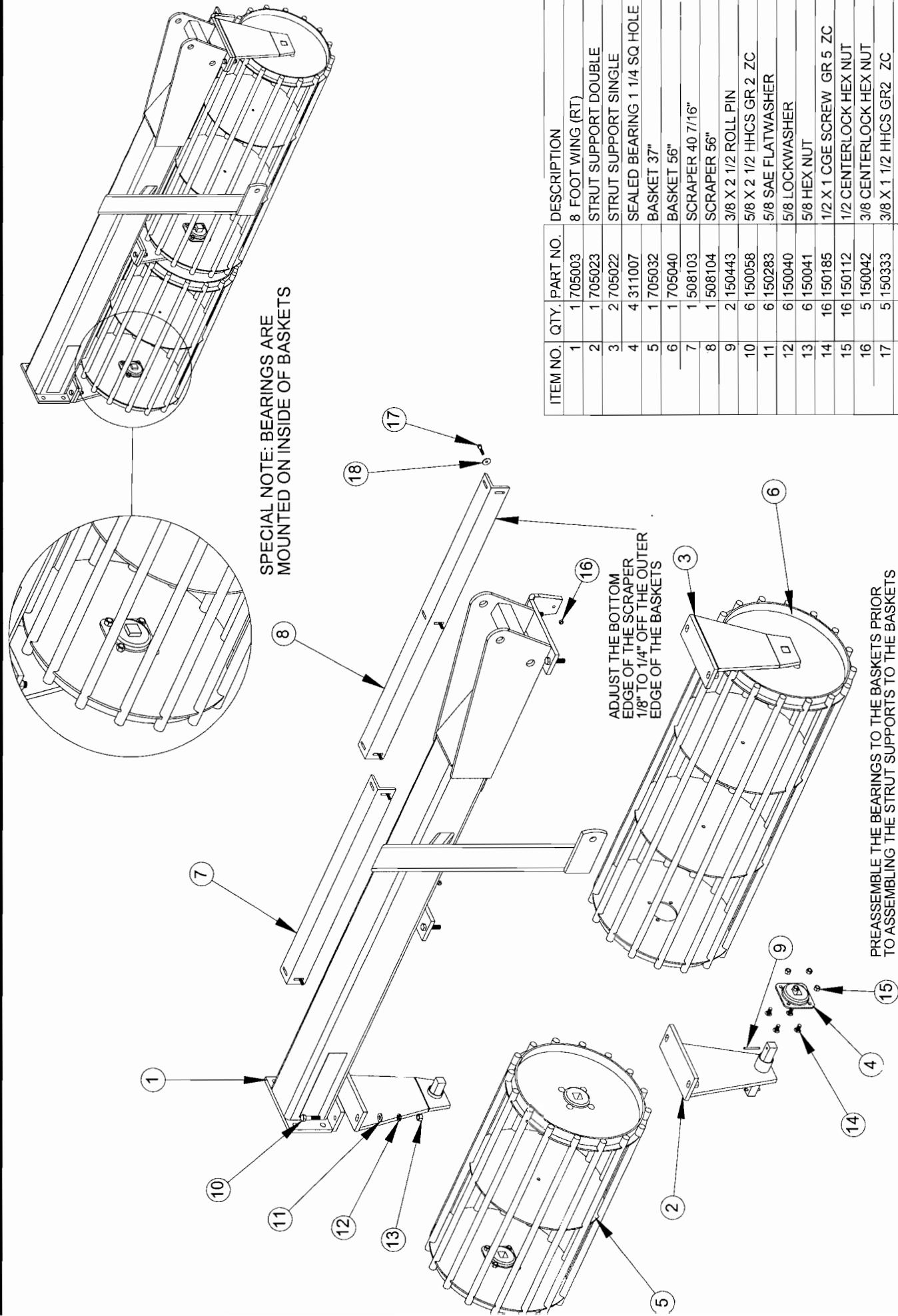
ITEM NO.	QTY.	PART NO.	DESCRIPTION
1	1	705037	13 FOOT CENTER FRAME
2	2	705023	STRUT SUPPORT DOUBLE
3	2	705022	STRUT SUPPORT SINGLE
4	6	311007	SEALED BEARING 1 1/4 SQ HOLE
5	1	705032	BASKET 37"
6	2	705038	BASKET 53"
7	2	508108	SCRAPER .56 3/8"
8	1	508109	SCRAPER .35 3/4"
9	4	150443	3/8 X 2 1/2 ROLL PIN
10	8	150058	5/8 X 2 1/2 HHCS GR 2 ZC
11	8	150283	5/8 SAE FLATWASHER
12	8	150040	5/8 LOCKWASHER
13	8	150041	5/8 HEX NUT
14	24	150185	1/2 X 1 CGE SCREW GR 5 ZC
15	24	150112	1/2 CENTERLOCK HEX NUT
16	5	150042	3/8 CENTERLOCK HEX NUT
17	5	150333	3/8 X 1 1/2 HHCS GR2 ZC
18	5	150269	3/8 USS FLAT WASHER



SPECIAL NOTE: BEARINGS ARE MOUNTED ON INSIDE OF BASKETS

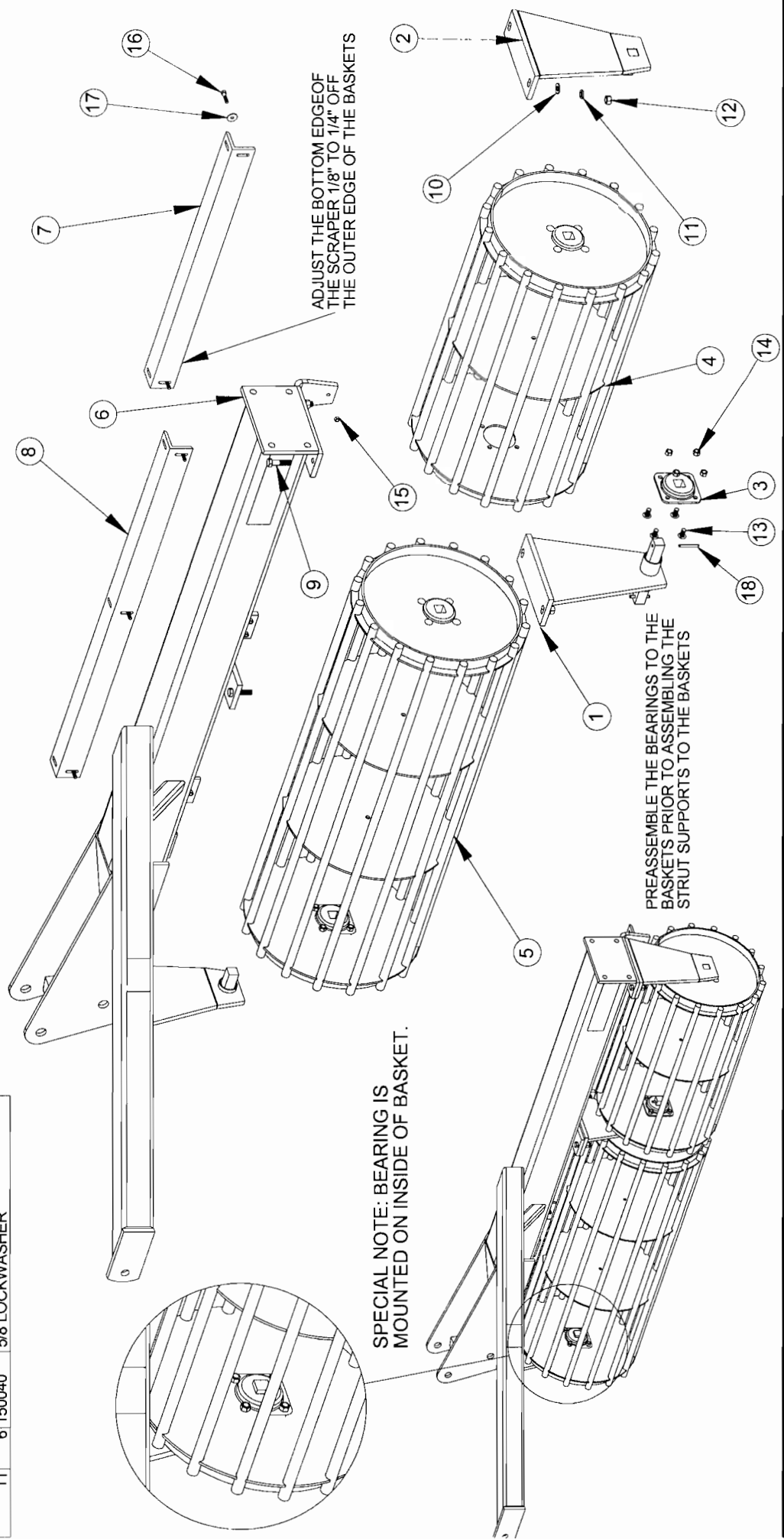
ADJUST THE BOTTOM EDGE OF THE SCRAPER 1/8" TO 1/4" OFF THE OUTER EDGE OF THE BASKETS

PREASSEMBLE THE BEARINGS TO THE BASKETS PRIOR TO ASSEMBLING THE STRUT SUPPORTS TO THE BASKETS



ITEM NO.	QTY.	PART NO.	DESCRIPTION
1	1	1705003	8 FOOT WING (RT)
2	1	1705023	STRUT SUPPORT DOUBLE
3	2	705022	STRUT SUPPORT SINGLE
4	4	311007	SEALED BEARING 1 1/4 SQ HOLE
5	1	1705032	BASKET 37"
6	1	1705040	BASKET 56"
7	1	1508103	SCRAPER 40 7/16"
8	1	1508104	SCRAPER 56"
9	2	150443	3/8 X 2 1/2 ROLL PIN
10	6	150058	5/8 X 2 1/2 HHCS GR 2 ZC
11	6	150283	5/8 SAE FLATWASHER
12	6	150040	5/8 LOCKWASHER
13	6	150041	5/8 HEX NUT
14	16	150185	1/2 X 1 CGE SCREW GR 5 ZC
15	16	150112	1/2 CENTERLOCK HEX NUT
16	5	150042	3/8 CENTERLOCK HEX NUT
17	5	150333	3/8 X 1 1/2 HHCS GR2 ZC
18	5	150269	3/8 USS FLAT WASHER

ITEM NO.	QTY.	PART NO.	DESCRIPTION	ITEM NO.	QTY.	PART NO.	DESCRIPTION
1	1	705023	STRUT SUPPORT DOUBLE	12	6	150041	5/8 HEX NUT
2	2	705022	STRUT SUPPORT SINGLE	13	16	150185	1/2 X 1 CGE SCREW GR 5 ZC
3	4	311007	SEALED BEARING 1 1/4 SQ HOLE	14	16	150112	1/2 CENTERLOCK HEX NUT
4	1	705032	BASKET 37"	15	5	150042	3/8 CENTERLOCK HEX NUT
5	1	705040	BASKET 56"	16	5	150333	3/8 X 1 1/2 HHCS GR2 ZC
6	1	705004	8 FOOT WING (LT)	17	5	150269	3/8 USS FLAT WASHER
7	1	508103	SCRAPER 40 7/16"	18	2	150443	3/8 X 2 1/2 ROLL PIN
8	1	508104	SCRAPER 56"				
9	6	150058	5/8 X 2 1/2 HHCS GR 2 ZC				
10	6	150283	5/8 SAE FLATWASHER				
11	6	150040	5/8 LOCKWASHER				

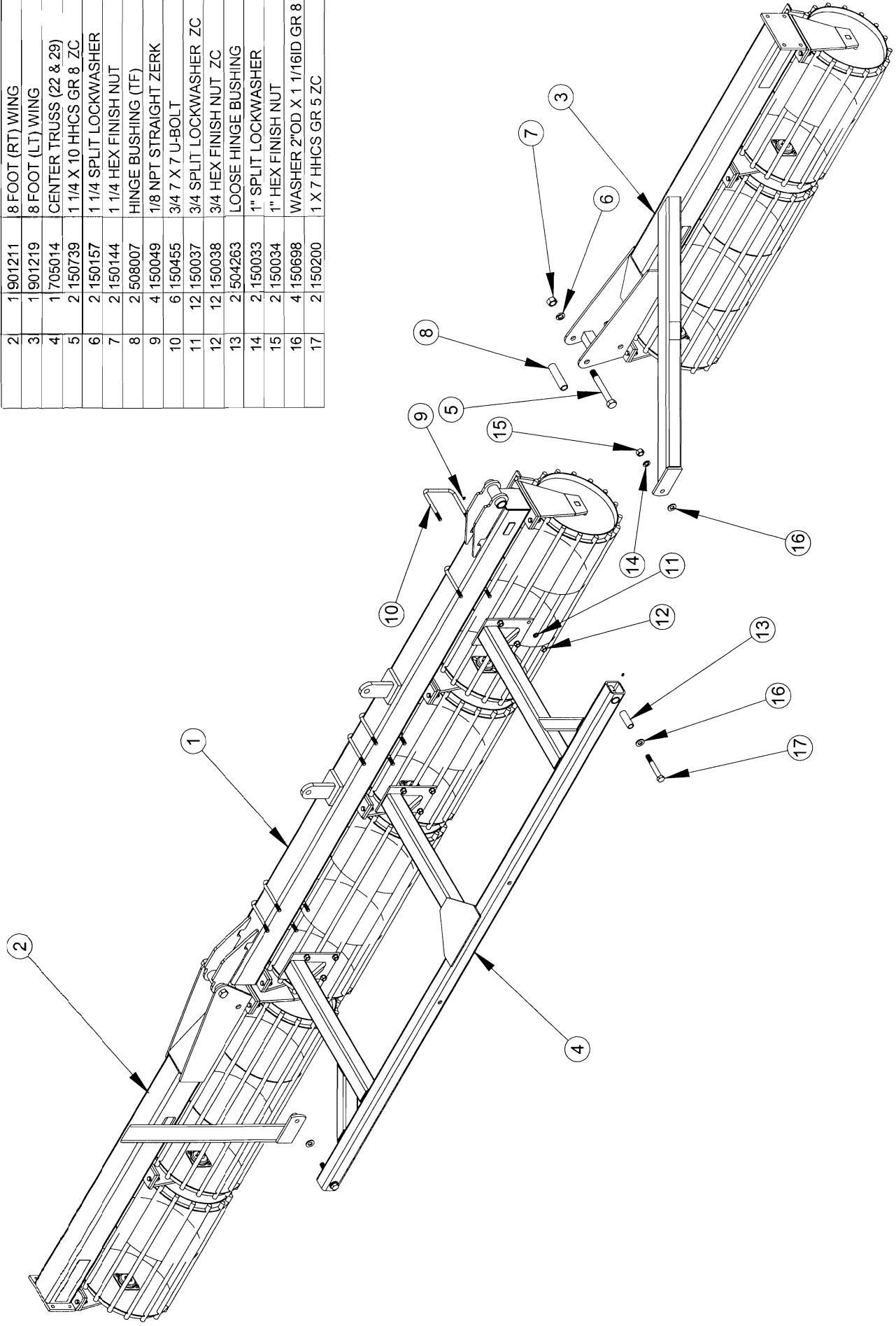


SPECIAL NOTE: BEARING IS MOUNTED ON INSIDE OF BASKET.

PREASSEMBLE THE BEARINGS TO THE BASKETS PRIOR TO ASSEMBLING THE STRUT SUPPORTS TO THE BASKETS

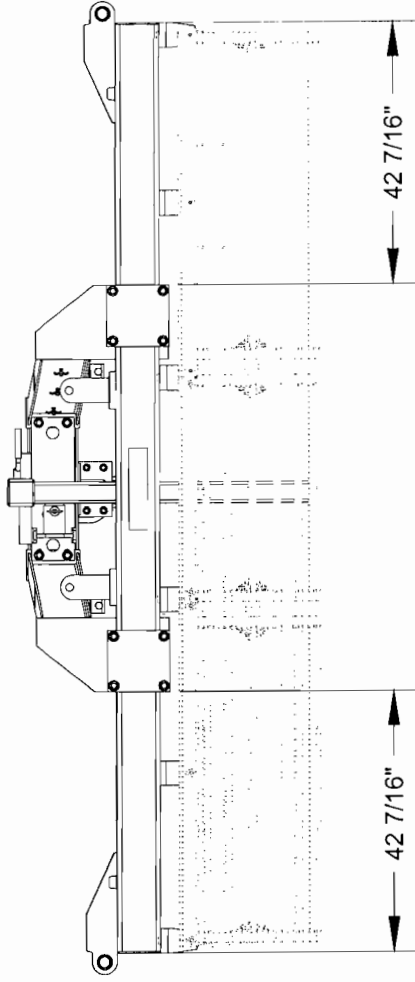
ADJUST THE BOTTOM EDGE OF THE SCRAPER 1/8" TO 1/4" OFF THE OUTER EDGE OF THE BASKETS

ITEM NO.	QTY.	PART NO.	DESCRIPTION
1	1	1901204	13 FOOT CENTER
2	1	1901211	8 FOOT (RT) WING
3	1	1901219	8 FOOT (LT) WING
4	1	1705014	CENTER TRUSS (22 & 29)
5	2	150739	1 1/4 X 10 HHCS GR 8 ZC
6	2	150157	1 1/4 SPLIT LOCKWASHER
7	2	150144	1 1/4 HEX FINISH NUT
8	2	508007	HINGE BUSHING (TF)
9	4	150049	1/8 NPT STRAIGHT ZERK
10	6	150455	3/4 X 7 U-BOLT
11	12	150037	3/4 SPLIT LOCKWASHER ZC
12	12	150038	3/4 HEX FINISH NUT ZC
13	2	504263	LOOSE HINGE BUSHING
14	2	150033	1" SPLIT LOCKWASHER
15	2	150034	1" HEX FINISH NUT
16	4	150698	WASHER 2"OD X 1 1/16ID GR 8 ZC
17	2	150200	1 X 7 HHCS GR 5 ZC

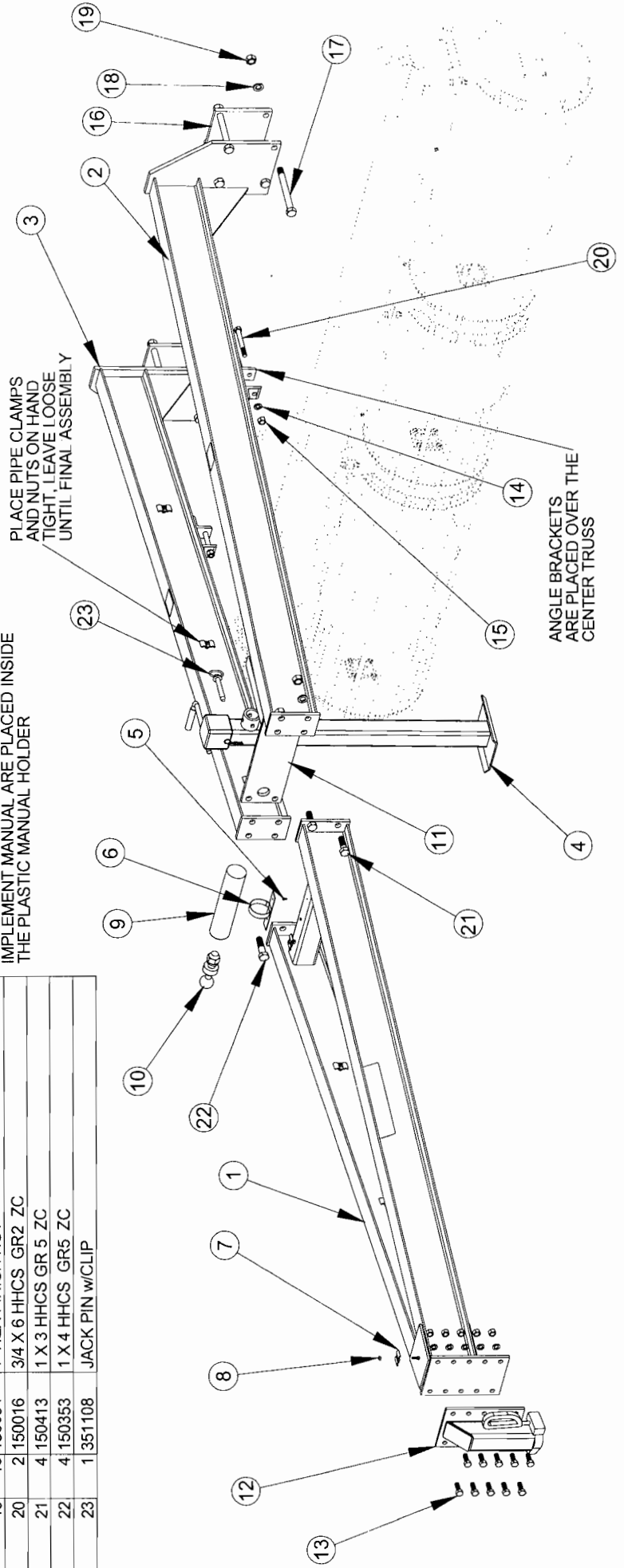


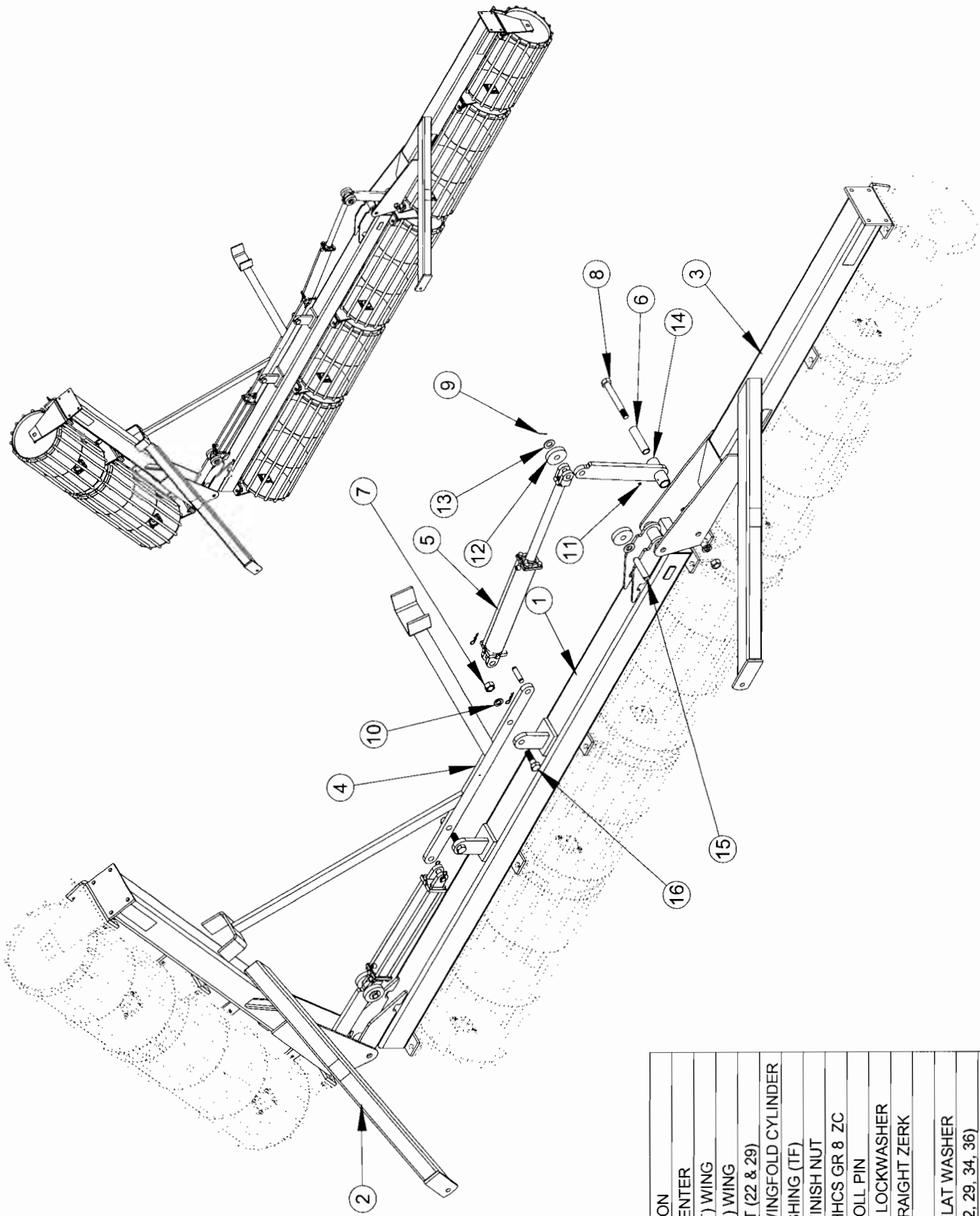
ITEM NO.	QTY.	PART NO.	DESCRIPTION
1	1	705000	STANDARD A-FRAME TONGUE
2	1	705027	10' TONGUE EXTENSION (LT)
3	1	705028	10' TONGUE EXTENSION (RT)
4	1	508095	TF IMPLEMENT JACK
5	2	150492	1/4 X 1/2 SELF-TAPPING SCREW ZC
6	1	350942	MANUAL HOLDER CLAMP
7	7	506722	PIPE CLAMP
8	7	150042	3/8 CENTERLOCK HEX NUT
9	1	350941	PLASTIC MANUAL HOLDER TUBE
10	1	300177	2 5/16" TRAILER BALL (HI-RISE) W/1 1/4" SHANK
11	1	705079	JACK SUPPORT
12	1	705026	HITCH TUBE
13	10	150057	3/4 X 2 HHCS GR 2 ZC
14	12	150037	3/4 SPLIT LOCKWASHER ZC
15	12	150038	3/4 HEX FINISH NUT ZC
16	2	508123	MOUNT PLATE
17	8	150742	1" X 10 HHCS GR5 ZC
18	16	150033	1" SPLIT LOCKWASHER
19	16	150034	1" HEX FINISH NUT
20	2	150016	3/4 X 6 HHCS GR2 ZC
21	4	150413	1 X 3 HHCS GR 5 ZC
22	4	150353	1 X 4 HHCS GR5 ZC
23	1	351108	JACK PIN w/CLIP

BACK VIEW

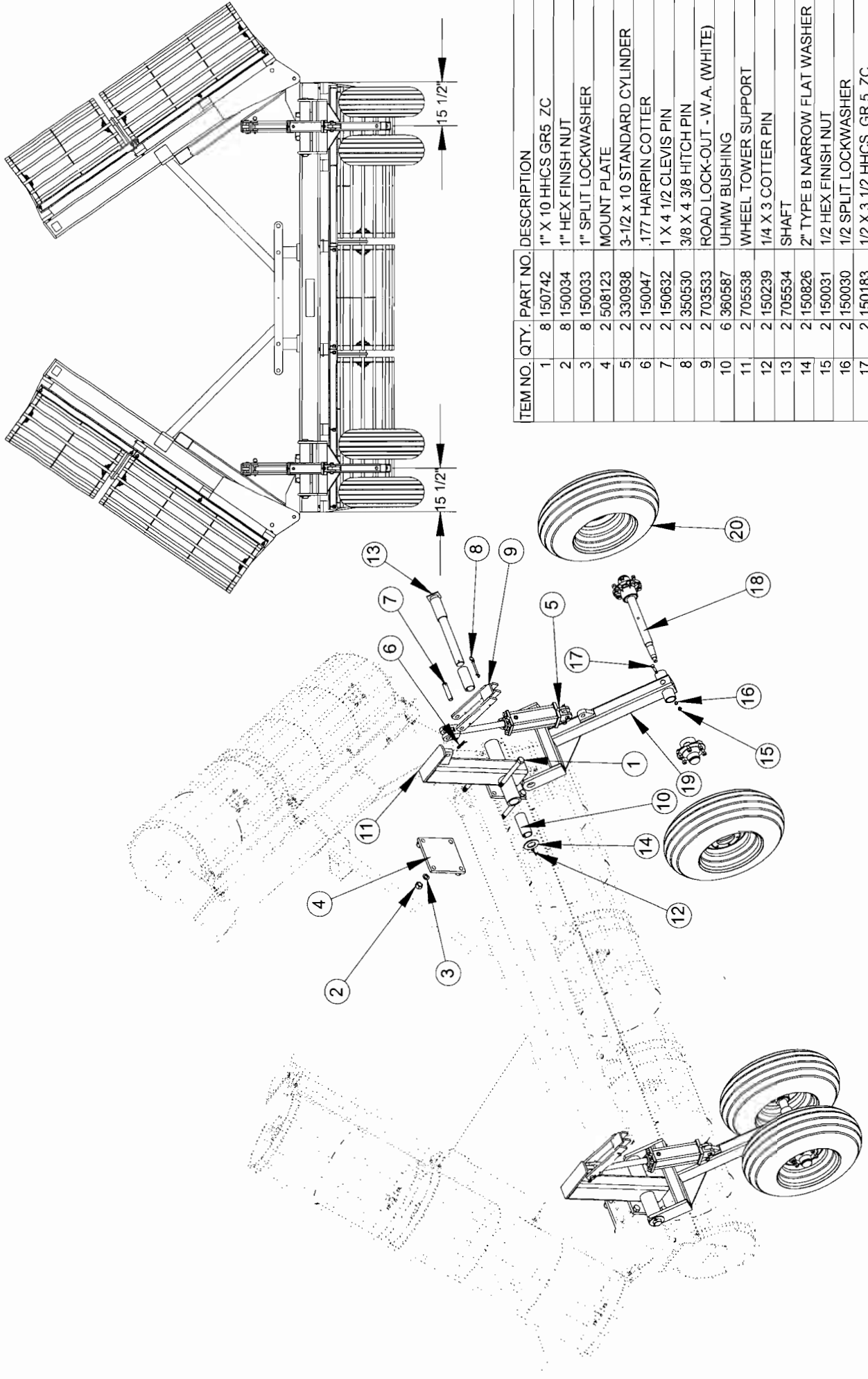


NOTE: THE TRAILER BALL AND THE IMPLEMENT MANUAL ARE PLACED INSIDE THE PLASTIC MANUAL HOLDER



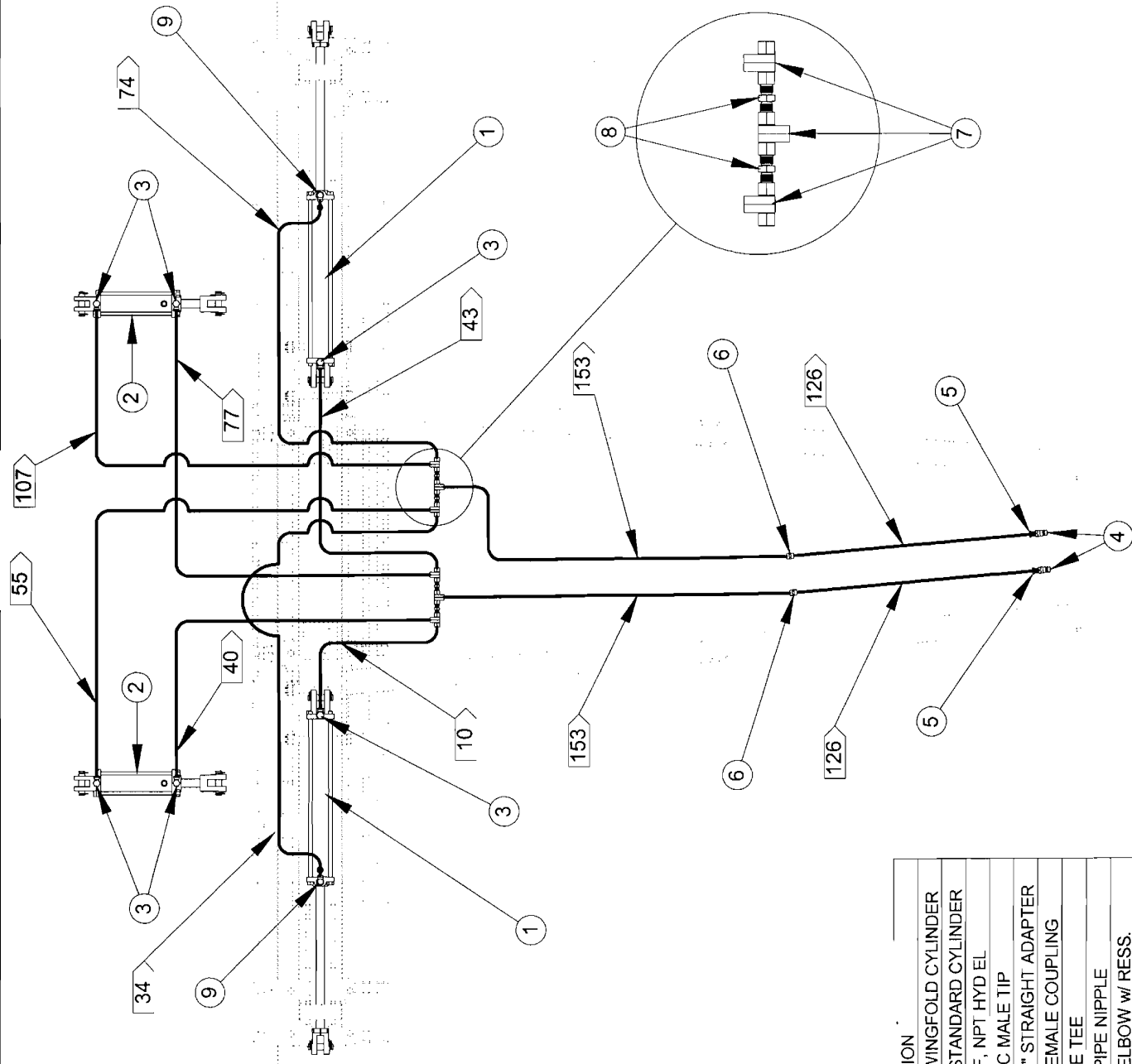


ITEM NO.	QTY.	PART NO.	DESCRIPTION
1	1	901204	13 FOOT CENTER
2	1	901211	8 FOOT (RT) WING
3	1	901219	8 FOOT (LT) WING
4	1	705590	WING REST (22 & 29)
5	2	330539	3 1/2 x 24 WINGFOLD CYLINDER
6	2	508007	HINGE BUSHING (TF)
7	4	150144	1 1/4 HEX FINISH NUT
8	2	150739	1 1/4 X 10 HHCS GR 8 ZC
9	4	150166	3/16 X 2 ROLL PIN
10	4	150157	1 1/4 SPLIT LOCKWASHER
11	4	150049	1/8 NPT STRAIGHT ZERK
12	4	506727	ROLLER
13	4	150172	1 1/4 SAE FLAT WASHER
14	2	705068	LINK 45° (22, 29, 34, 36)
15	2	350861	1-1/4 x 6 CLEVIS PIN ZC
16	2	150578	1 1/4 X 4 HHCS GR 5 ZC

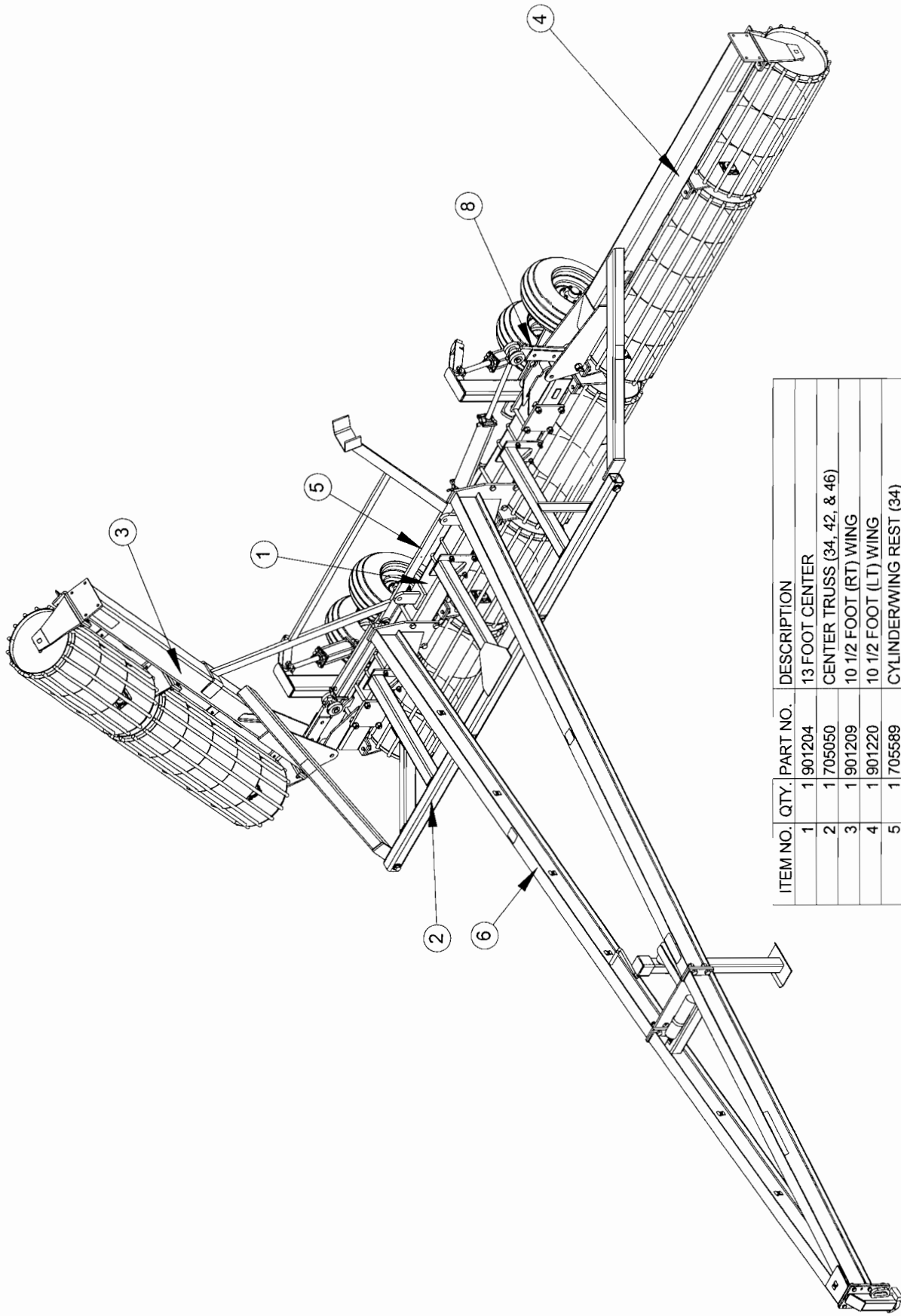


ITEM NO.	QTY.	PART NO.	DESCRIPTION
1	8	150742	1" X 10 HHCS GR5 ZC
2	8	150034	1" HEX FINISH NUT
3	8	150033	1" SPLIT LOCKWASHER
4	2	508123	MOUNT PLATE
5	2	330938	3-1/2 x 10 STANDARD CYLINDER
6	2	150047	.177 HAIRPIN COTTER
7	2	150632	1 X 4 1/2 CLEVIS PIN
8	2	350530	3/8 X 4 3/8 HITCH PIN
9	2	703533	ROAD LOCK-OUT - W.A. (WHITE)
10	6	360587	UHMW BUSHING
11	2	705538	WHEEL TOWER SUPPORT
12	2	150239	1/4 X 3 COTTER PIN
13	2	705534	SHAFT
14	2	150826	2" TYPE B NARROW FLAT WASHER
15	2	150031	1/2 HEX FINISH NUT
16	2	150030	1/2 SPLIT LOCKWASHER
17	2	150183	1/2 X 3 1/2 HHCS GR 5 ZC
18	2	800300	6 - BOLT HUB & SPINDLE ASSY.
19	2	705535	ROCKSHAFT-DUALS
20	4	802107	11L X 15 - 8PLY TIRE ASSEMBLY



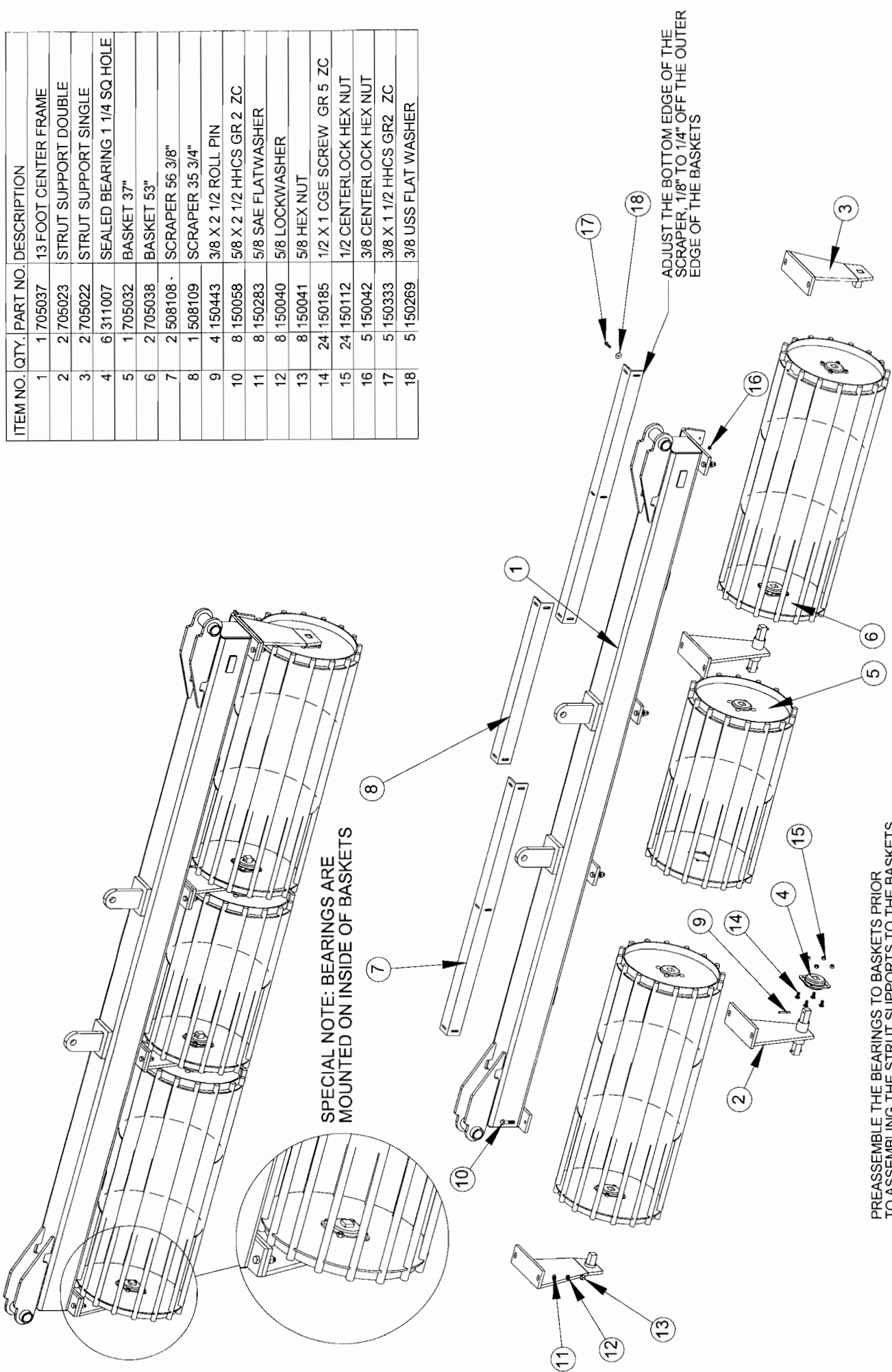


ITEM NO.	QTY.	PART NO.	DESCRIPTION
1	2	330539	3 1/2 x 24 WINGFOLD CYLINDER
2	2	330938	3-1/2 x 10 STANDARD CYLINDER
3	6	330276	3/4M X 3/8F, NPT HYD EL
4	2	330311	HYDRAULIC MALE TIP
5	2	330173	1/2" TO 3/8" STRAIGHT ADAPTER
6	2	330737	3/8 X 3/8 FEMALE COUPLING
7	6	330201	3/8 FEMALE TEE
8	4	330292	3/8 MALE PIPE NIPPLE
9	2	330275	90° MALE ELBOW w/ RESS.



ITEM NO.	QTY.	PART NO.	DESCRIPTION
1	1	901204	13 FOOT CENTER
2	1	705050	CENTER TRUSS (34, 42, & 46)
3	1	901209	10 1/2 FOOT (RT) WING
4	1	901220	10 1/2 FOOT (LT) WING
5	1	705589	CYLINDER/WING REST (34)
6	1	901230	TONGUE/15' EXTENSION ASSEMBLY
7	2	330539	3 1/2 x 24 WINGFOLD CYLINDER
8	2	705068	LINK 45° (22, 29, 34, 36)

ITEM NO.	QTY.	PART NO.	DESCRIPTION
1	1	705037	13 FOOT CENTER FRAME
2	2	705023	STRUT SUPPORT DOUBLE
3	2	705022	STRUT SUPPORT SINGLE
4	6	311007	SEALED BEARING 1 1/4 SQ HOLE
5	1	705032	BASKET 37"
6	2	705038	BASKET 53"
7	2	508108	SCRAPER 56 3/8"
8	1	508109	SCRAPER 35 3/4"
9	4	150443	3/8 X 2 1/2 ROLL PIN
10	8	150058	5/8 X 2 1/2 HHCS GR 2 ZC
11	8	150283	5/8 SAE FLATWASHER
12	8	150040	5/8 LOCKWASHER
13	8	150041	5/8 HEX NUT
14	24	150185	1/2 X 1 CGE SCREW GR 5 ZC
15	24	150112	1/2 CENTERLOCK HEX NUT
16	5	150042	3/8 CENTERLOCK HEX NUT
17	5	150333	3/8 X 1 1/2 HHCS GR2 ZC
18	5	150269	3/8 USS FLAT WASHER

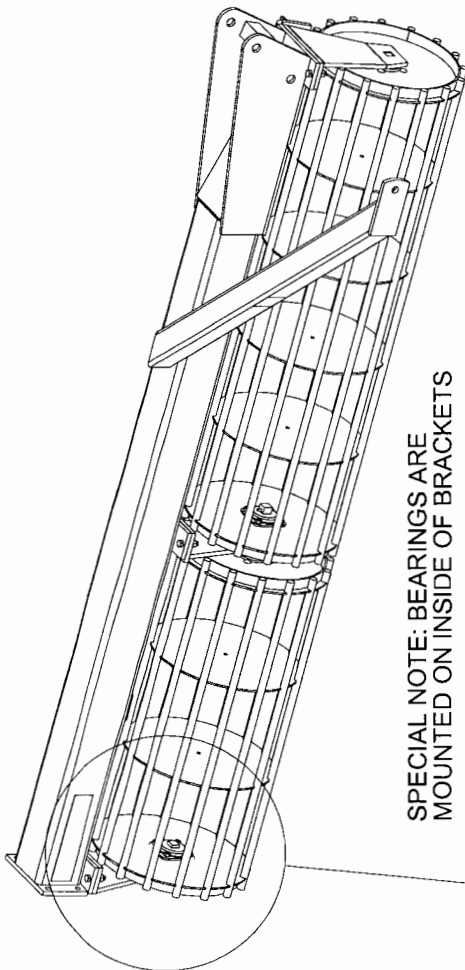


SPECIAL NOTE: BEARINGS ARE MOUNTED ON INSIDE OF BASKETS

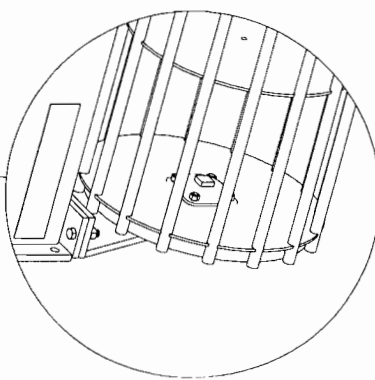
PREASSEMBLE THE BEARINGS TO BASKETS PRIOR TO ASSEMBLING THE STRUT SUPPORTS TO THE BASKETS

ADJUST THE BOTTOM EDGE OF THE SCRAPER 1/8" TO 1/4" OFF THE OUTER EDGE OF THE BASKETS

ITEM NO.	QTY.	PART NO.	DESCRIPTION
1	2	705022	STRUT SUPPORT SINGLE
2	1	705023	STRUT SUPPORT DOUBLE
3	1	705007	10 1/2 FOOT WING (RT)
4	1	705041	BASKET 73"
5	4	311007	SEALED BEARING 1 1/4 SQ HOLE
6	1	705042	BASKET 49"
7	1	508107	SCRAPER 73"
8	1	508106	SCRAPER (10 1/2) outer
9	2	150443	3/8 X 2 1/2 ROLL PIN
10	16	150185	1/2 X 1 CGE SCREW GR 5 ZC
11	16	150112	1/2 CENTERLOCK HEX NUT
12	6	150042	3/8 CENTERLOCK HEX NUT
13	6	150333	3/8 X 1 1/2 HHCS GR2 ZC
14	6	150269	3/8 USS FLAT WASHER
15	6	150058	5/8 X 2 1/2 HHCS GR 2 ZC
16	6	150283	5/8 SAE FLATWASHER
17	6	150040	5/8 LOCKWASHER
18	6	150041	5/8 HEX NUT

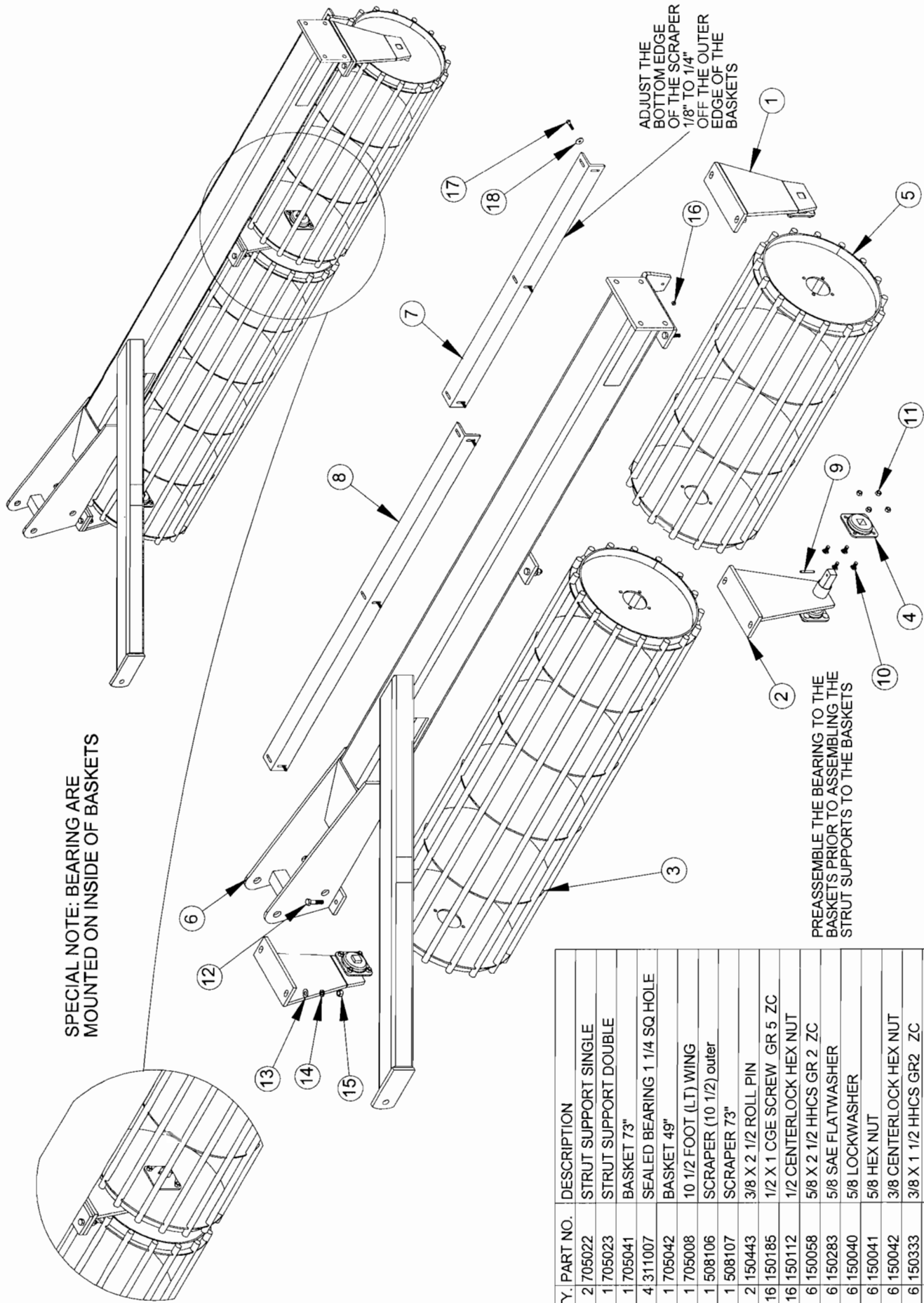


SPECIAL NOTE: BEARINGS ARE MOUNTED ON INSIDE OF BRACKETS



ADJUST THE BOTTOM EDGE OF THE SCRAPER, 1/8" TO 1/4" OFF THE OUTER EDGE OF THE BASKETS

PREASSEMBLE THE BEARING TO THE BASKETS PRIOR TO ASSEMBLING THE STRUT SUPPORTS TO THE BASKETS



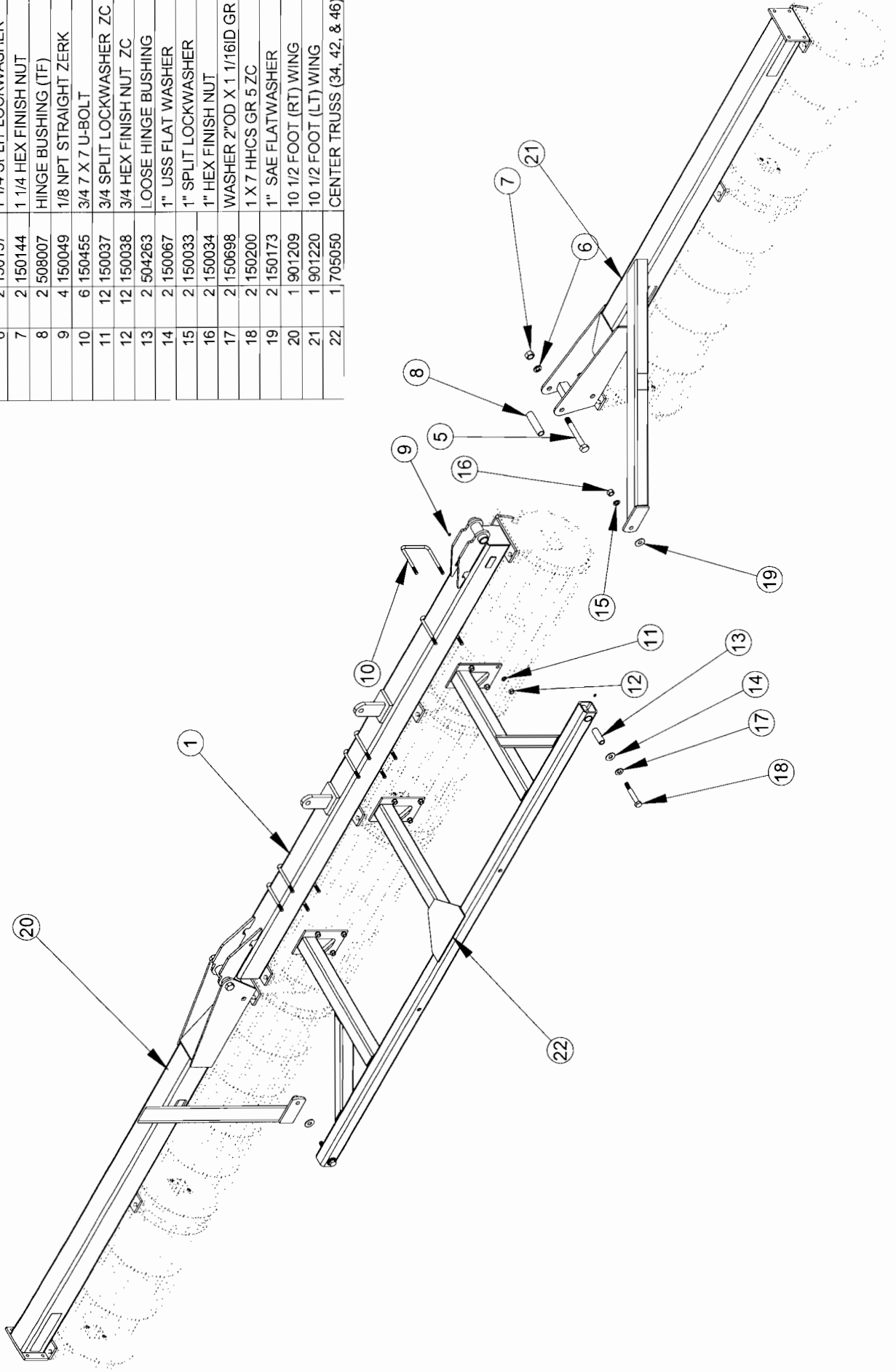
SPECIAL NOTE: BEARING ARE MOUNTED ON INSIDE OF BASKETS

PREASSEMBLE THE BEARING TO THE BASKETS PRIOR TO ASSEMBLING THE STRUT SUPPORTS TO THE BASKETS

ADJUST THE BOTTOM EDGE OF THE SCRAPER 1/8" TO 1/4" OFF THE OUTER EDGE OF THE BASKETS

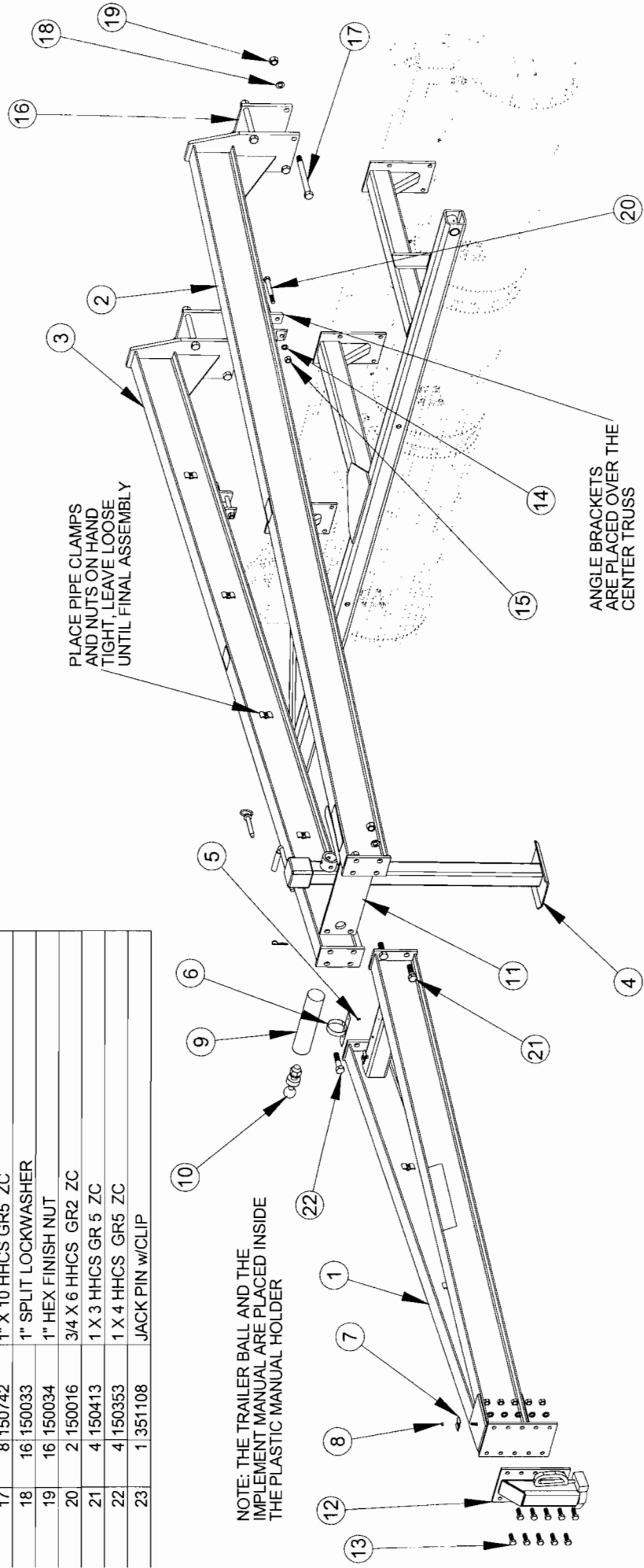
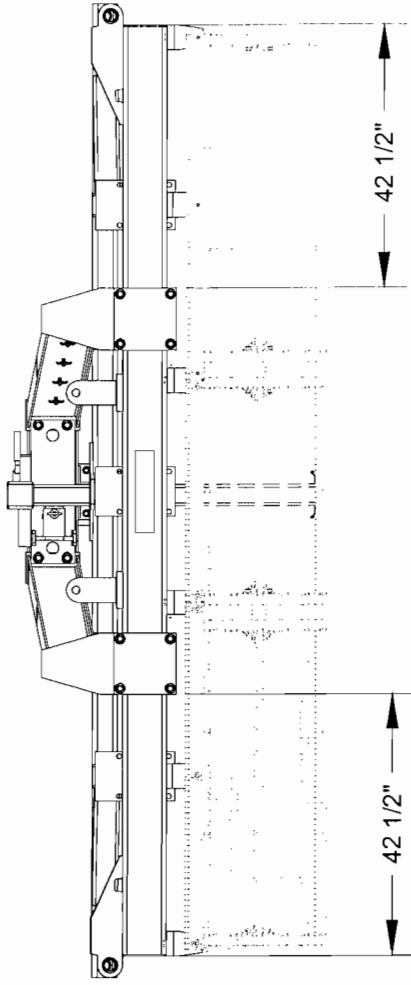
TEM NO.	QTY.	PART NO.	DESCRIPTION
1	2	705022	STRUT SUPPORT SINGLE
2	1	705023	STRUT SUPPORT DOUBLE
3	1	705041	BASKET 73"
4	4	311007	SEALED BEARING 1 1/4 SQ HOLE
5	1	705042	BASKET 49"
6	1	705008	10 1/2 FOOT (LT) WING
7	1	508106	SCRAPER (10 1/2) outer
8	1	508107	SCRAPER 73"
9	2	150443	3/8 X 2 1/2 ROLL PIN
10	16	150185	1/2 X 1 CGE SCREW GR 5 ZC
11	16	150112	1/2 CENTERLOCK HEX NUT
12	6	150058	5/8 X 2 1/2 HHCS GR 2 ZC
13	6	150283	5/8 SAE FLATWASHER
14	6	150040	5/8 LOCKWASHER
15	6	150041	5/8 HEX NUT
16	6	150042	3/8 CENTERLOCK HEX NUT
17	6	150333	3/8 X 1 1/2 HHCS GR2 ZC
18	6	150269	3/8 USS FLAT WASHER

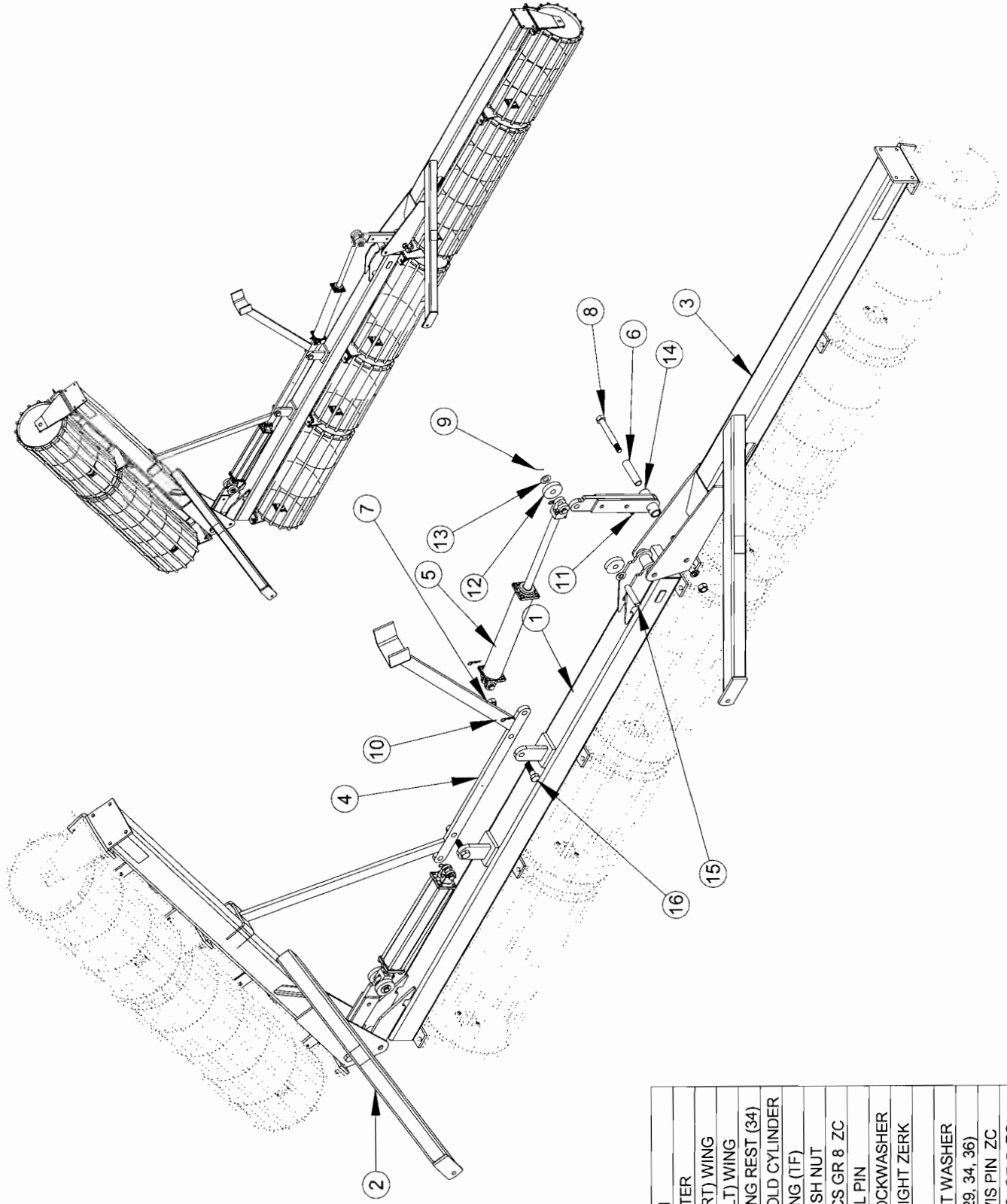
ITEM NO.	QTY.	PART NO.	DESCRIPTION
1	1	901204	13 FOOT CENTER
5	2	150739	1 1/4 X 10 HHCS GR 8 ZC
6	2	150157	1 1/4 SPLIT LOCKWASHER
7	2	150144	1 1/4 HEX FINISH NUT
8	2	508007	HINGE BUSHING (TF)
9	4	150049	1/8 NPT STRAIGHT ZERK
10	6	150455	3/4 X 7 U-BOLT
11	12	150037	3/4 SPLIT LOCKWASHER ZC
12	12	150038	3/4 HEX FINISH NUT ZC
13	2	504263	LOOSE HINGE BUSHING
14	2	150067	1" USS FLAT WASHER
15	2	150033	1" SPLIT LOCKWASHER
16	2	150034	1" HEX FINISH NUT
17	2	150698	WASHER 2"OD X 1 1/16ID GR 8 ZC
18	2	150200	1 X 7 HHCS GR 5 ZC
19	2	150173	1" SAE FLATWASHER
20	1	901209	10 1/2 FOOT (RT) WING
21	1	901220	10 1/2 FOOT (LT) WING
22	1	705050	CENTER TRUSS (34. 42. & 46)



ITEM NO.	QTY.	PART NO.	DESCRIPTION
1	1	705000	STANDARD A-FRAME TONGUE
2	1	705018	15' TONGUE EXTENSION (LT)
3	1	705019	15' TONGUE EXTENSION (RT)
4	1	508095	TF IMPLEMENT JACK
5	2	150492	1/4 X 1/2 SELF-TAPPING SCREW ZC
6	1	350942	MANUAL HOLDER CLAMP
7	8	506722	PIPE CLAMP
8	8	150042	3/8 CENTERLOCK HEX NUT
9	1	350941	PLASTIC MANUAL HOLDER TUBE
10	1	300177	2 5/16" TRAILER BALL (HI-RISE) W/1 1/4" SHANK
11	1	705079	JACK SUPPORT
12	1	705026	HITCH TUBE
13	10	150656	3/4 X 2 HHCS GR 5
14	12	150037	3/4 SPLIT LOCKWASHER ZC
15	12	150038	3/4 HEX FINISH NUT ZC
16	2	508123	MOUNT PLATE
17	8	150742	1" X 10 HHCS GR5 ZC
18	16	150033	1" SPLIT LOCKWASHER
19	16	150034	1" HEX FINISH NUT
20	2	150016	3/4 X 6 HHCS GR2 ZC
21	4	150413	1 X 3 HHCS GR 5 ZC
22	4	150353	1 X 4 HHCS GR5 ZC
23	1	351108	JACK PIN w/CLIP

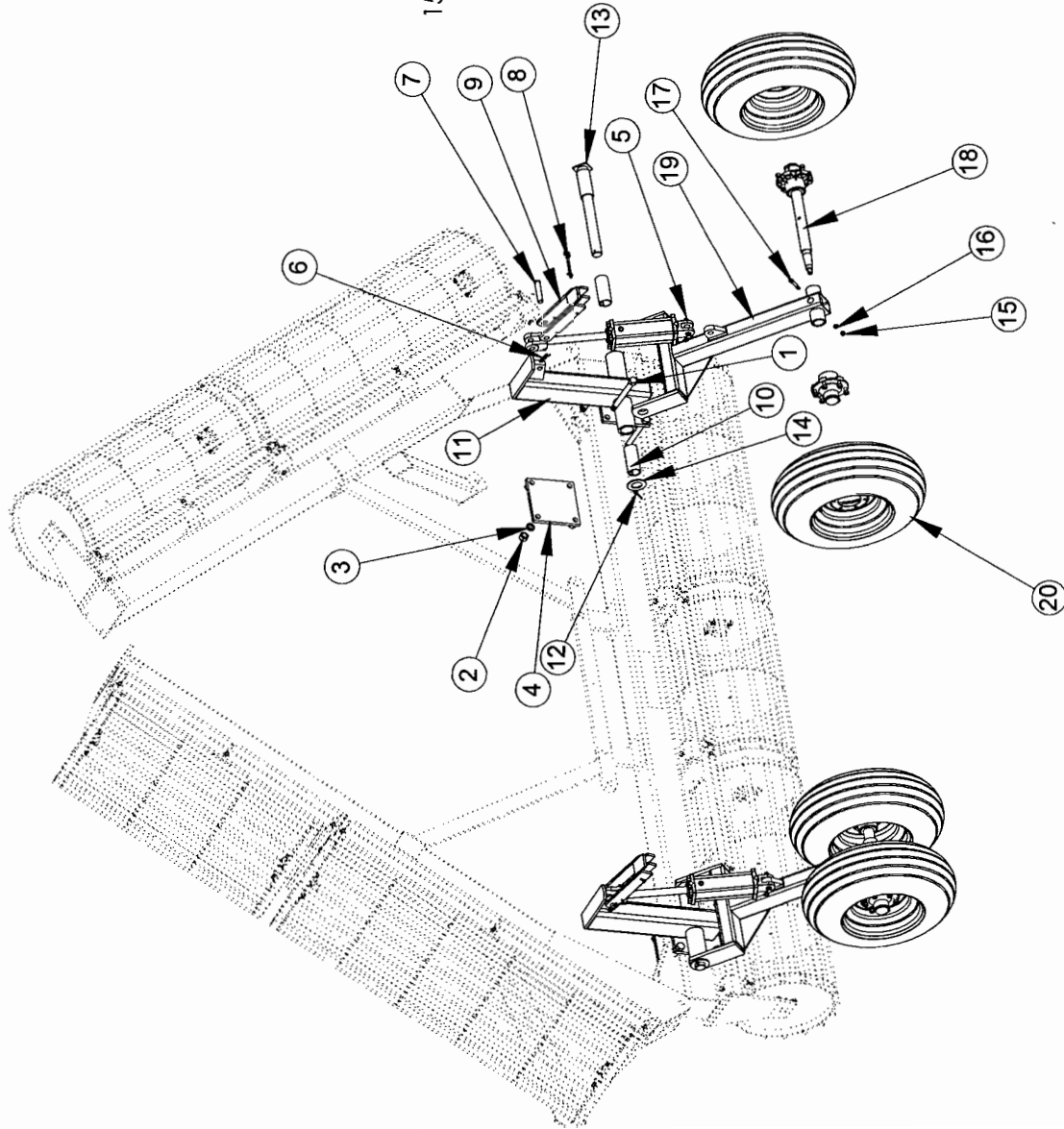
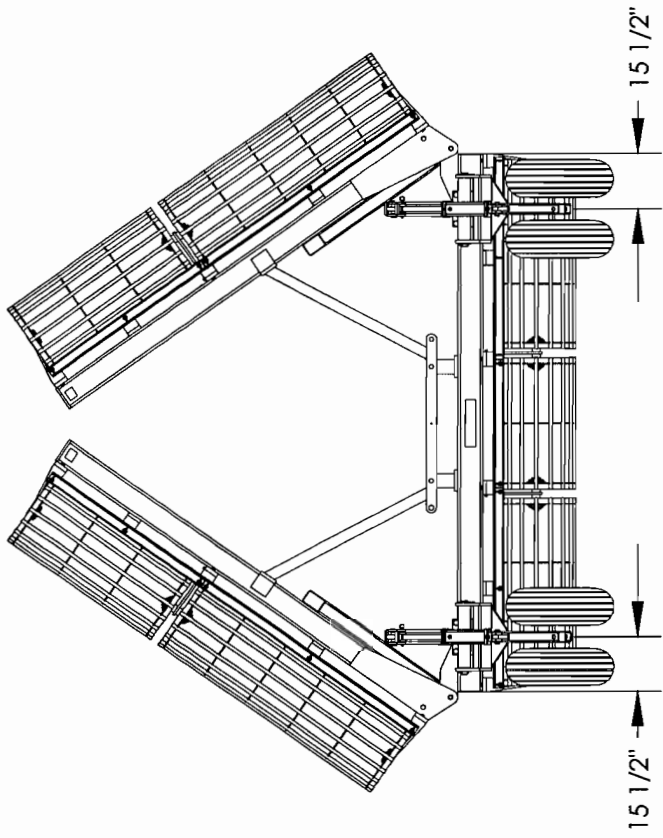
BACK VIEW



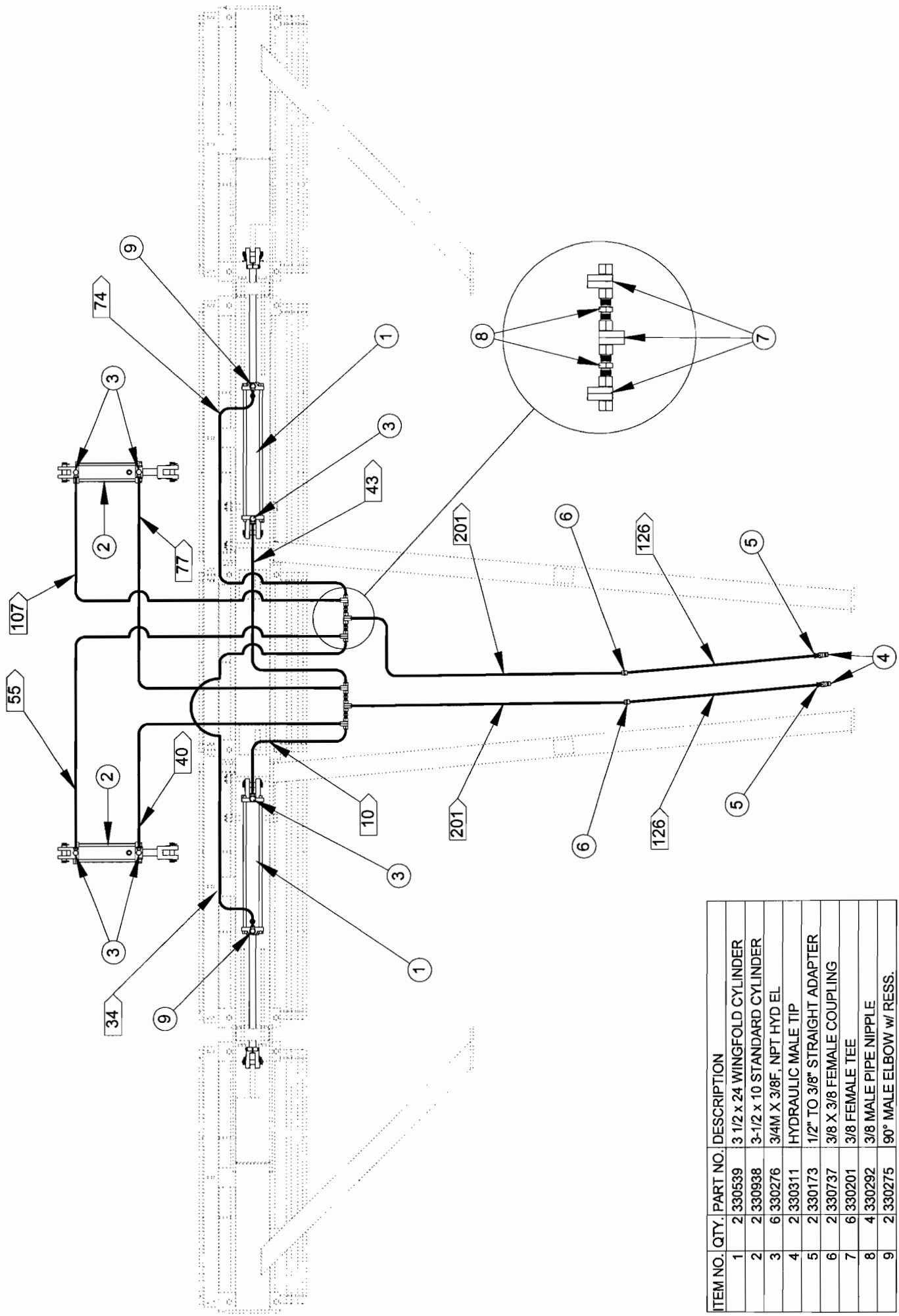


ITEM NO.	QTY.	PART NO.	DESCRIPTION
1	1	901204	13 FOOT CENTER
2	1	901209	10 1/2 FOOT (RT) WING
3	1	901220	10 1/2 FOOT (LT) WING
4	1	705108	CYLINDERWING REST (34)
5	2	330540	4 x 24 WINGFOLD CYLINDER
6	2	508007	HINGE BUSHING (1F)
7	4	150144	1 1/4 HEX FINISH NUT
8	2	150739	1 1/4 X 10 HHCS GR 8 ZC
9	4	150166	3/16 X 2 ROLL PIN
10	4	150157	1 1/4 SPLIT LOCKWASHER
11	4	150049	1/8 NPT STRAIGHT ZERK
12	4	506727	ROLLER
13	4	150172	1 1/4 SAE FLAT WASHER
14	2	705068	LINK 45° (22, 29, 34, 36)
15	2	350861	1-1/4 x 6 CLEVIS PIN ZC
16	2	150578	1 1/4 X 4 HHCS GR 5 ZC

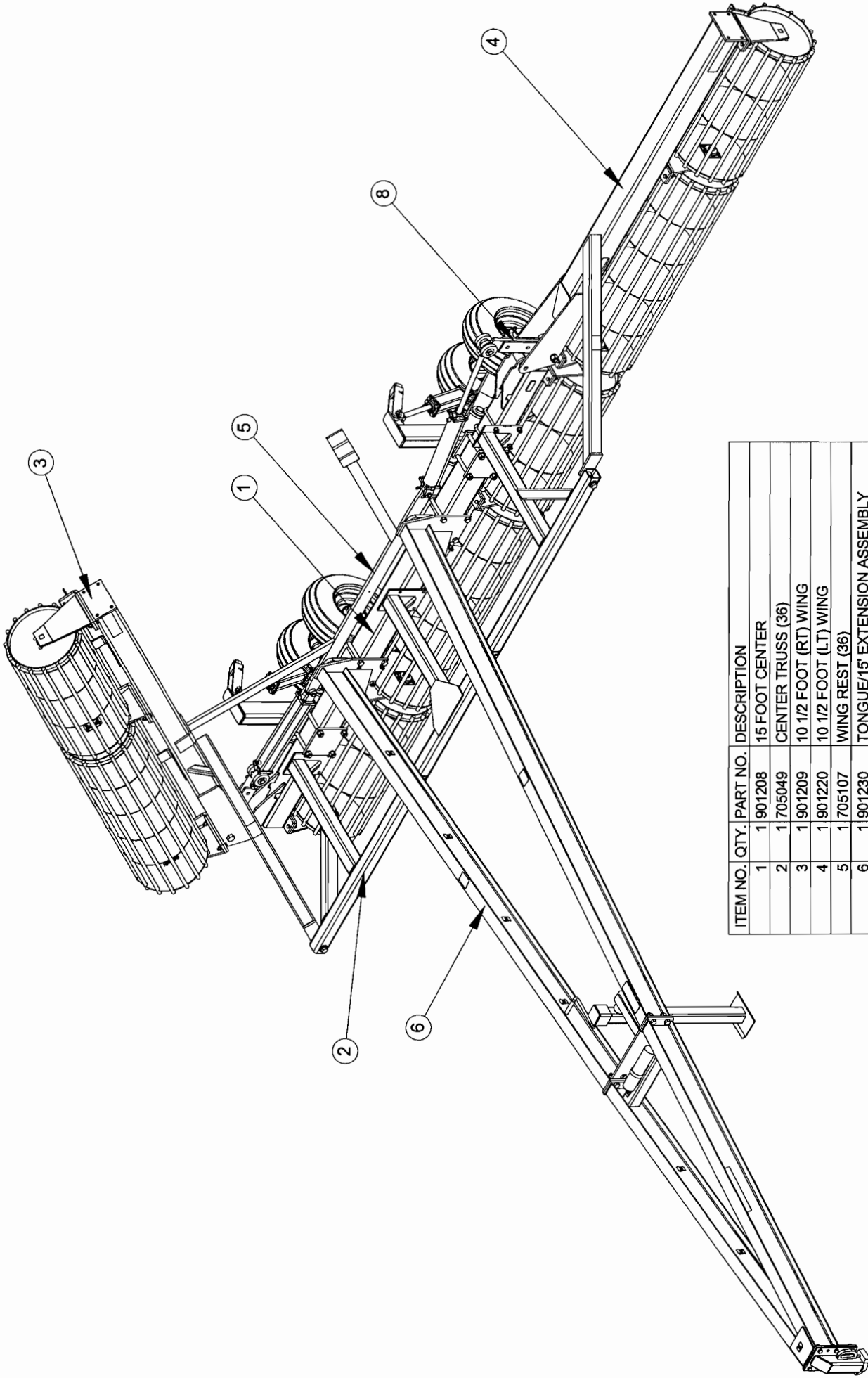




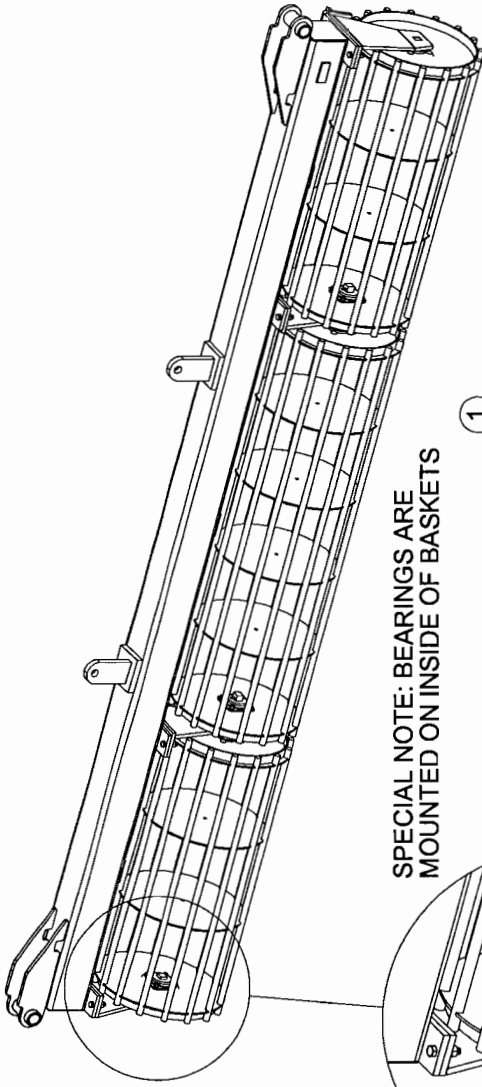
ITEM NO.	QTY.	PART NO.	DESCRIPTION
1	8	150742	1" X 10 HHCS GR5 ZC
2	8	150034	1" HEX FINISH NUT
3	8	150033	1" SPLIT LOCKWASHER
4	2	508123	MOUNT PLATE
5	2	330938	3-1/2 x 10 STANDARD CYLINDER
6	2	150047	.177 HAIRPIN COTTER
7	2	150632	1 X 4 1/2 CLEVIS PIN
8	2	350530	3/8 X 4 3/8 HITCH PIN
9	2	703533	ROAD LOCK-OUT - W.A. (WHITE)
10	6	360587	UHMW BUSHING
11	2	705538	WHEEL TOWER SUPPORT
12	2	150239	1/4 X 3 COTTER PIN
13	2	705534	SHAFT
14	2	150826	2" TYPE B NARROW FLAT WASHER
15	2	150031	1/2 HEX FINISH NUT
16	2	150030	1/2 SPLIT LOCKWASHER
17	2	150183	1/2 X 3 1/2 HHCS GR 5 ZC
18	2	800300	6 - BOLT HUB & SPINDLE ASSY.
19	2	705535	ROCKSHAFT-DUALS
20	4	802107	11L X 15 - 8PLY TIRE ASSEMBLY



ITEM NO.	QTY.	PART NO.	DESCRIPTION
1	2	330539	3 1/2 x 24 WINGFOLD CYLINDER
2	2	330938	3-1/2 x 10 STANDARD CYLINDER
3	6	330276	3/4M X 3/8F, NPT HYD EL
4	2	330311	HYDRAULIC MALE TIP
5	2	330173	1/2" TO 3/8" STRAIGHT ADAPTER
6	2	330737	3/8 X 3/8 FEMALE COUPLING
7	6	330201	3/8 FEMALE TEE
8	4	330292	3/8 MALE PIPE NIPPLE
9	2	330275	90° MALE ELBOW w/ RESS.

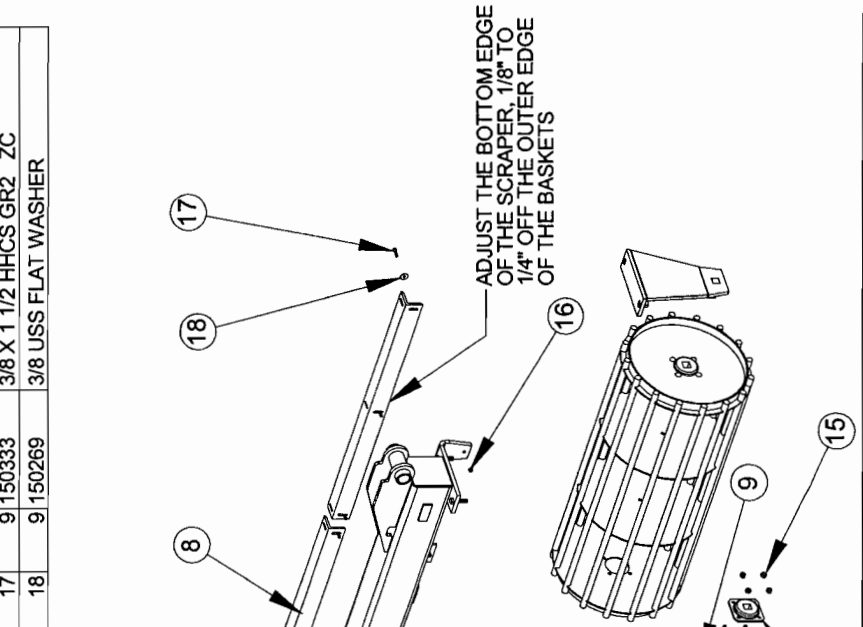


ITEM NO.	QTY.	PART NO.	DESCRIPTION
1	1	901208	15 FOOT CENTER
2	1	705049	CENTER TRUSS (36)
3	1	901209	10 1/2 FOOT (RT) WING
4	1	901220	10 1/2 FOOT (LT) WING
5	1	705107	WING REST (36)
6	1	901230	TONGUE/15' EXTENSION ASSEMBLY
7	2	330539	3 1/2 x 24 WINGFOLD CYLINDER
8	2	705068	LINK 45° (22, 29, 34, 36)



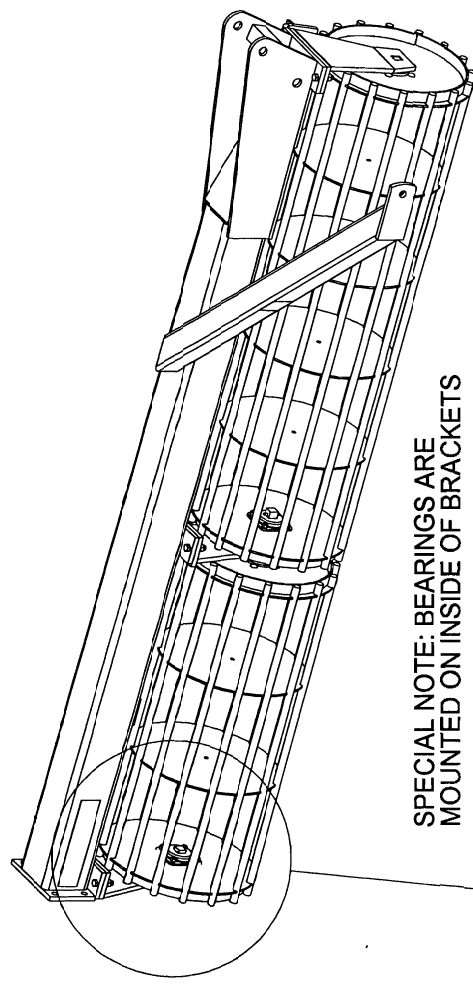
SPECIAL NOTE: BEARINGS ARE MOUNTED ON INSIDE OF BASKETS

ITEM NO.	QTY.	PART NO.	DESCRIPTION
1	1	1705015	15 FOOT CENTER FRAME
2	2	2705022	STRUT SUPPORT SINGLE
3	2	2705023	STRUT SUPPORT DOUBLE
4	1	1705041	BASKET 73"
5	6	311007	SEALED BEARING 1 1/4 SQ HOLE
6	2	2705042	BASKET 49"
7	2	2508110	SCRAPER 49"
8	1	1508111	SCRAPER 78 1/2"
9	4	150443	3/8 X 2 1/2 ROLL PIN
10	8	150058	5/8 X 2 1/2 HHCS GR 2 ZC
11	8	150283	5/8 SAE FLATWASHER
12	8	150040	5/8 LOCKWASHER
13	8	150041	5/8 HEX NUT
14	24	150185	1/2 X 1 CGE SCREW GR 5 ZC
15	24	150112	1/2 CENTERLOCK HEX NUT
16	9	150042	3/8 CENTERLOCK HEX NUT
17	9	150333	3/8 X 1 1/2 HHCS GR2 ZC
18	9	150269	3/8 USS FLAT WASHER

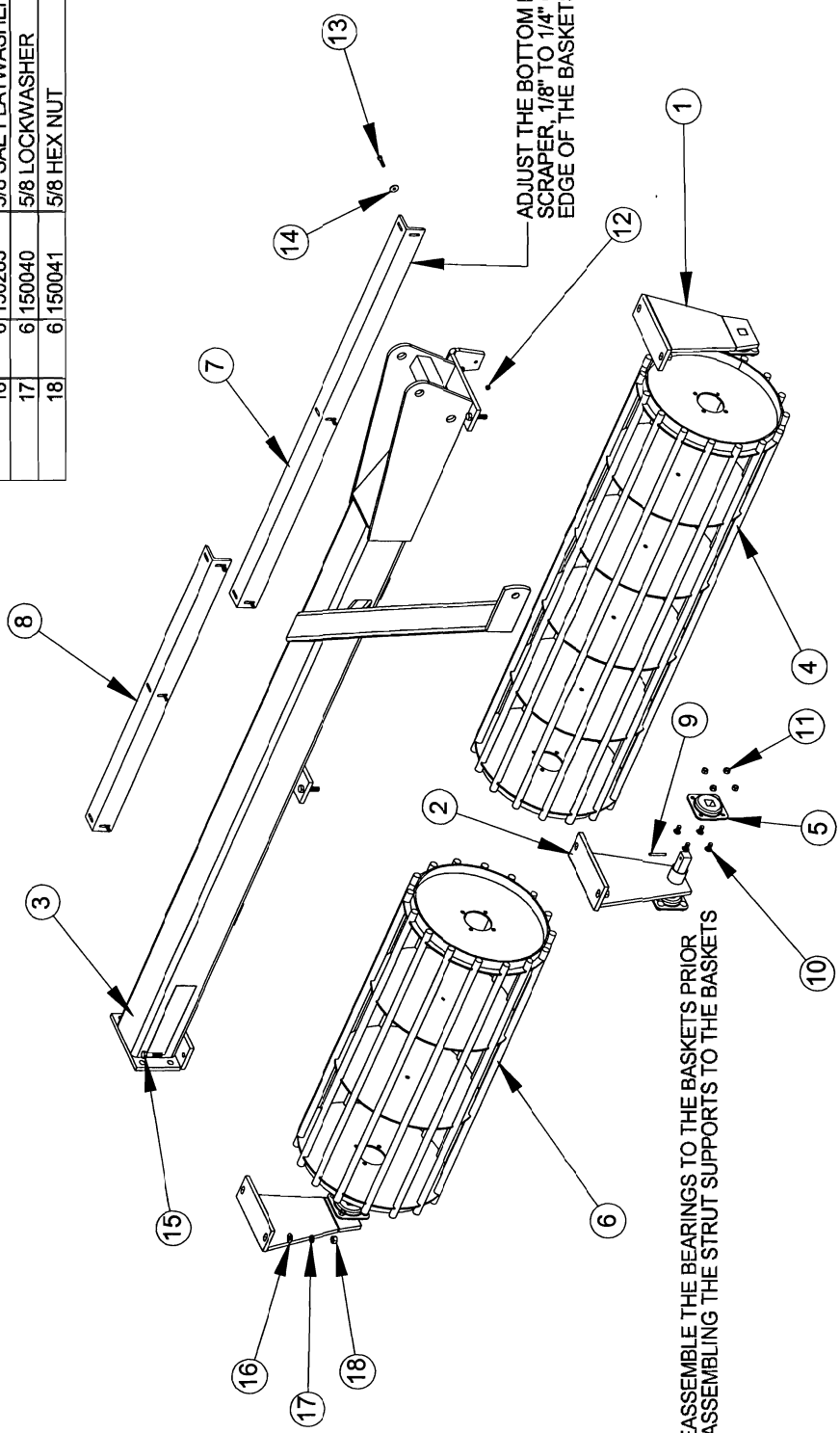
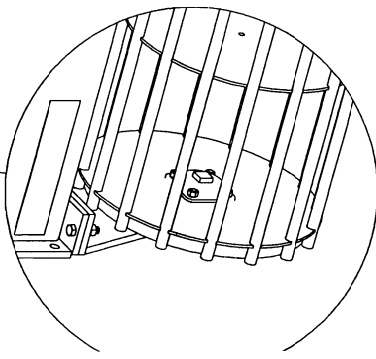


PREASSEMBLE THE BEARINGS TO THE BASKETS PRIOR TO ASSEMBLING THE STRUT SUPPORTS TO THE BASKETS.

ITEM NO.	QTY.	PART NO.	DESCRIPTION
1	2	705022	STRUT SUPPORT SINGLE
2	1	705023	STRUT SUPPORT DOUBLE
3	1	705007	10 1/2 FOOT WING (RT)
4	1	705041	BASKET 73"
5	4	311007	SEALED BEARING 1 1/4 SQ HOLE
6	1	705042	BASKET 49"
7	1	508107	SCRAPER 73"
8	1	508106	SCRAPER (10 1/2) outer
9	2	150443	3/8 X 2 1/2 ROLL PIN
10	16	150185	1/2 X 1 CGE SCREW GR 5 ZC
11	16	150112	1/2 CENTERLOCK HEX NUT
12	6	150042	3/8 CENTERLOCK HEX NUT
13	6	150333	3/8 X 1 1/2 HHCS GR2 ZC
14	6	150269	3/8 USS FLAT WASHER
15	6	150058	5/8 X 2 1/2 HHCS GR 2 ZC
16	6	150283	5/8 SAE FLATWASHER
17	6	150040	5/8 LOCKWASHER
18	6	150041	5/8 HEX NUT

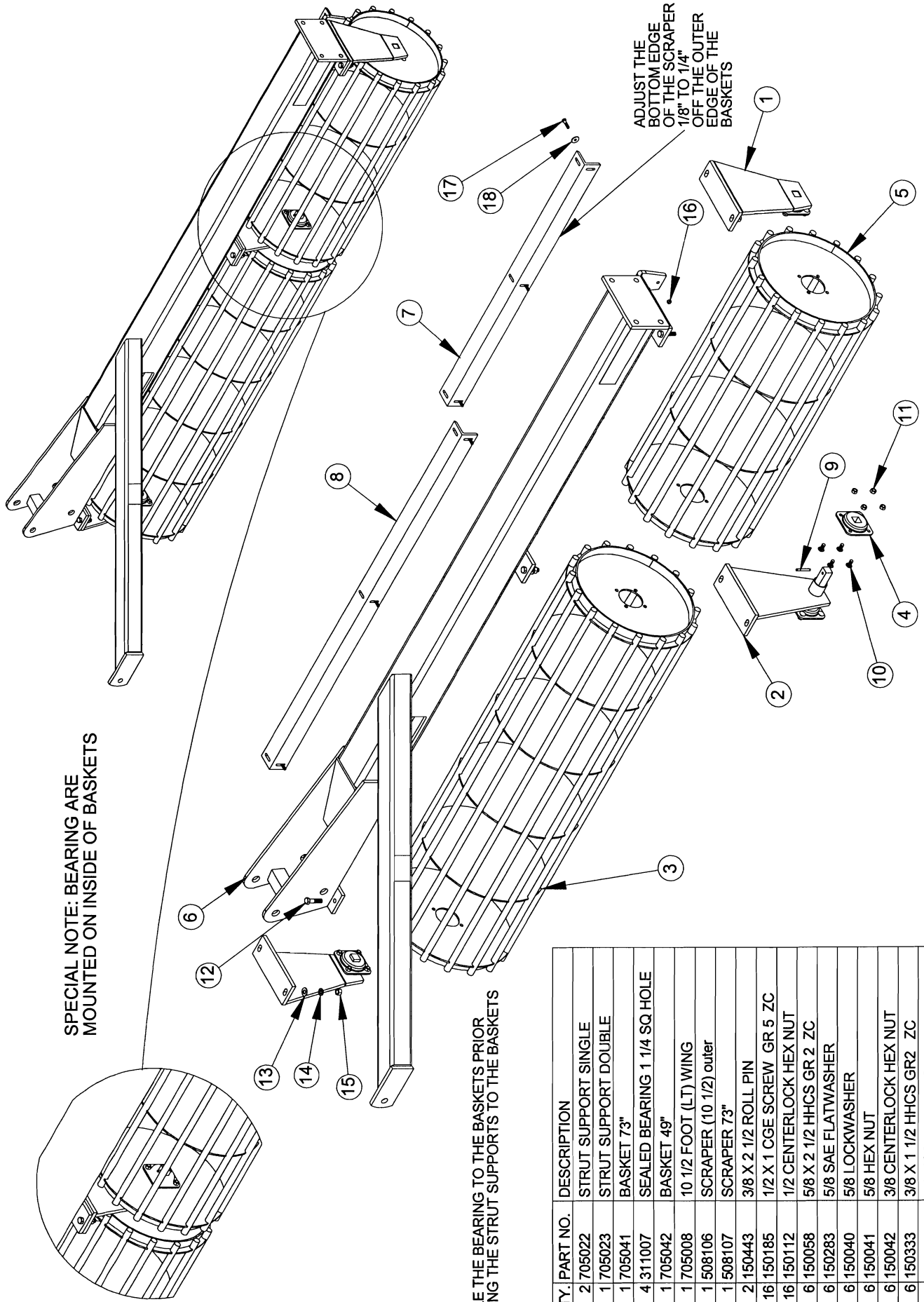


SPECIAL NOTE: BEARINGS ARE MOUNTED ON INSIDE OF BRACKETS



ADJUST THE BOTTOM EDGE OF THE SCRAPER, 1/8" TO 1/4" OFF THE OUTER EDGE OF THE BASKETS

PREASSEMBLE THE BEARINGS TO THE BASKETS PRIOR TO ASSEMBLING THE STRUT SUPPORTS TO THE BASKETS

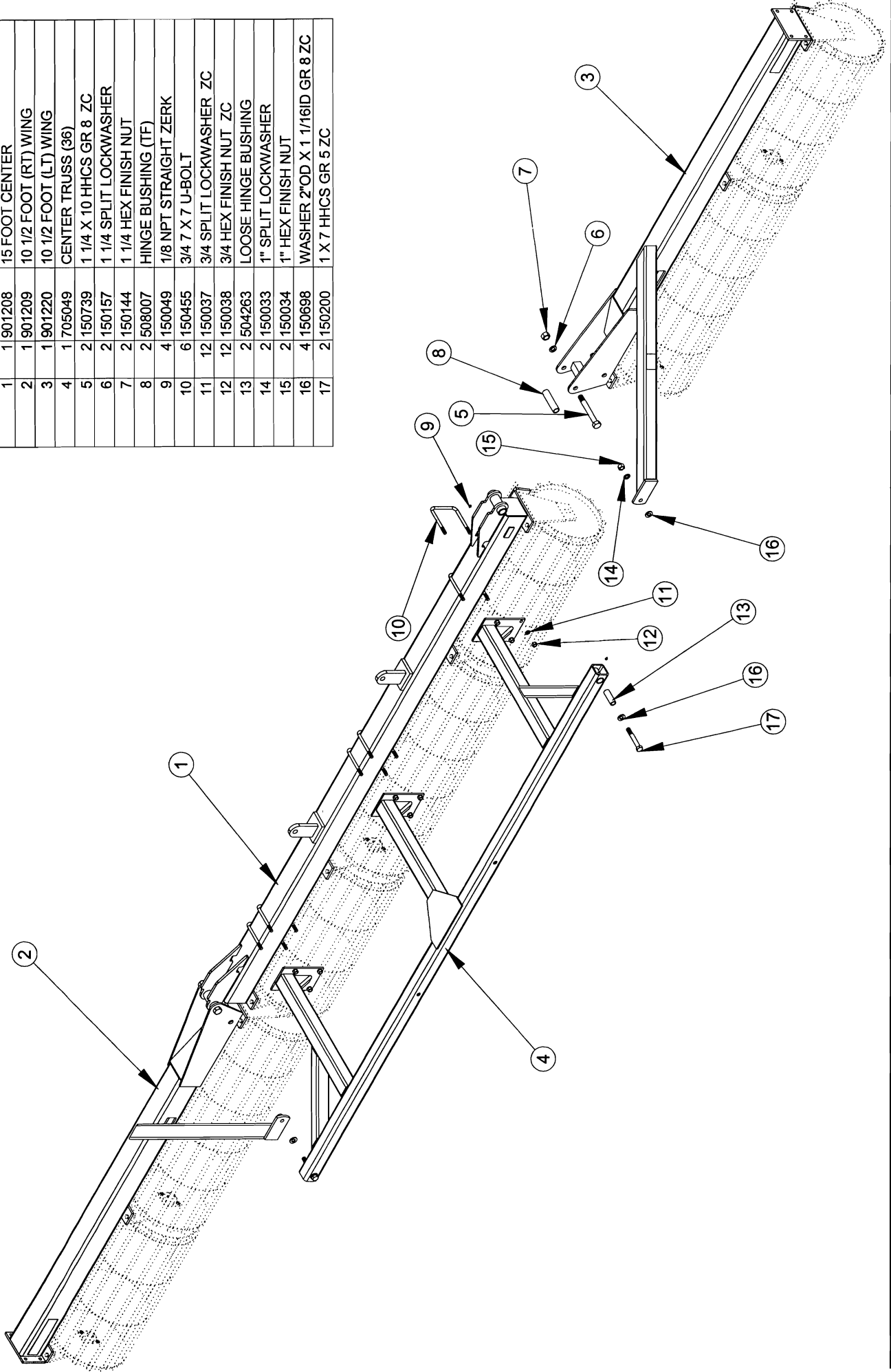


SPECIAL NOTE: BEARING ARE MOUNTED ON INSIDE OF BASKETS

PREASSEMBLE THE BEARING TO THE BASKETS PRIOR TO ASSEMBLING THE STRUT SUPPORTS TO THE BASKETS

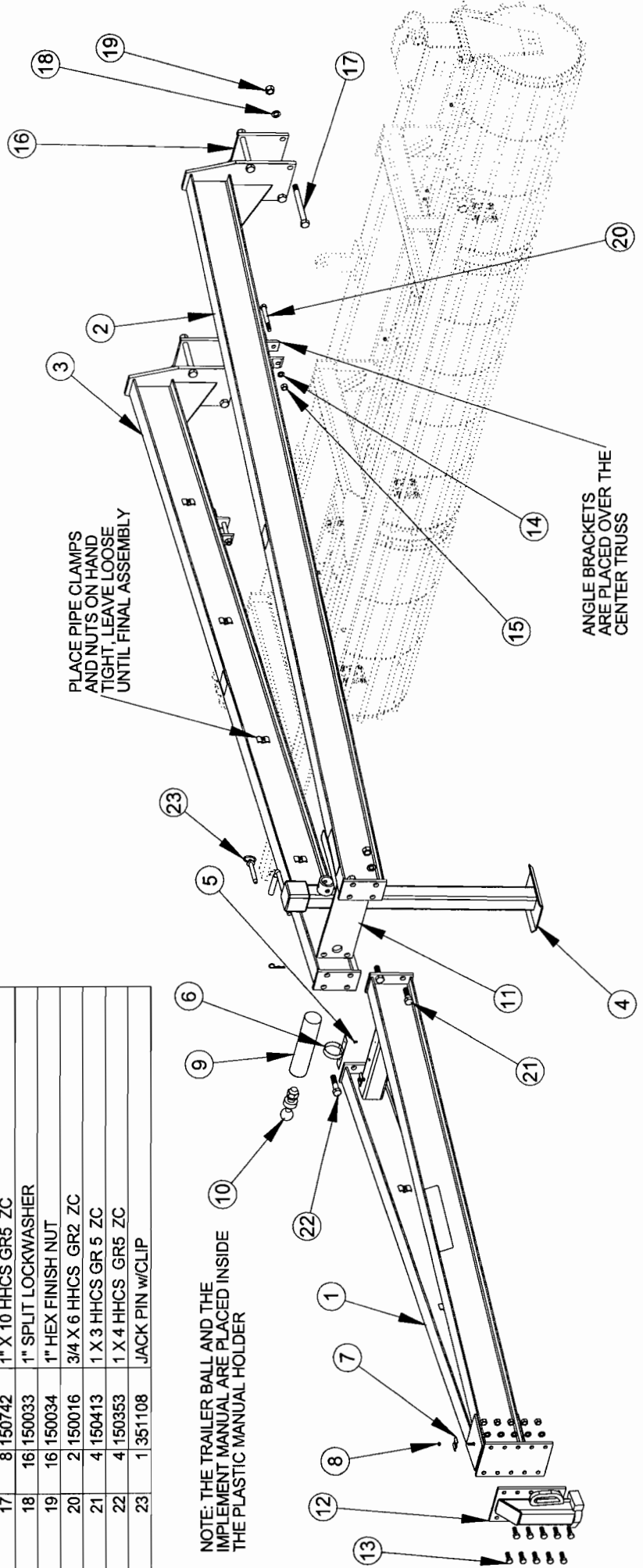
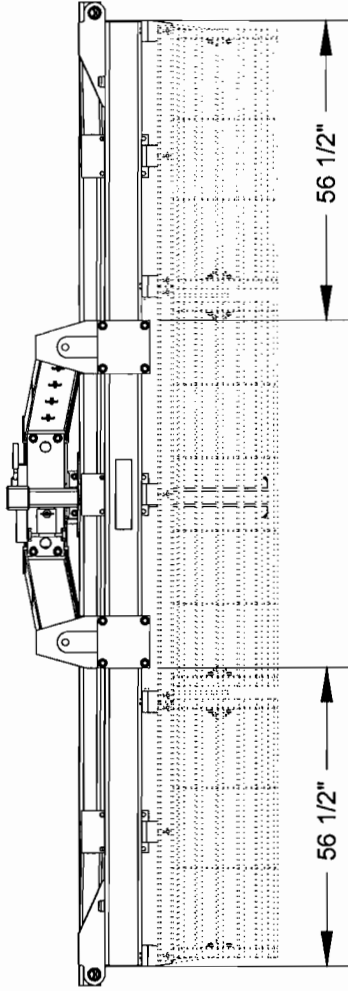
ITEM NO.	QTY.	PART NO.	DESCRIPTION
1	2	705022	STRUT SUPPORT SINGLE
2	1	705023	STRUT SUPPORT DOUBLE
3	1	705041	BASKET 73"
4	4	311007	SEALED BEARING 1 1/4 SQ HOLE
5	1	705042	BASKET 49"
6	1	705008	10 1/2 FOOT (LT) WING
7	1	508106	SCRAPER (10 1/2) outer
8	1	508107	SCRAPER 73"
9	2	150443	3/8 X 2 1/2 ROLL PIN
10	16	150185	1/2 X 1 CGE SCREW GR 5 ZC
11	16	150112	1/2 CENTERLOCK HEX NUT
12	6	150058	5/8 X 2 1/2 HHCS GR 2 ZC
13	6	150283	5/8 SAE FLATWASHER
14	6	150040	5/8 LOCKWASHER
15	6	150041	5/8 HEX NUT
16	6	150042	3/8 CENTERLOCK HEX NUT
17	6	150333	3/8 X 1 1/2 HHCS GR2 ZC
18	6	150269	3/8 USS FLAT WASHER

ITEM NO.	QTY.	PART NO.	DESCRIPTION
1	1	901208	15 FOOT CENTER
2	1	901209	10 1/2 FOOT (RT) WING
3	1	901220	10 1/2 FOOT (LT) WING
4	1	705049	CENTER TRUSS (36)
5	2	150739	1 1/4 X 10 HHCS GR 8 ZC
6	2	150157	1 1/4 SPLIT LOCKWASHER
7	2	150144	1 1/4 HEX FINISH NUT
8	2	508007	HINGE BUSHING (TF)
9	4	150049	1/8 NPT STRAIGHT ZERK
10	6	150455	3/4 X 7 U-BOLT
11	12	150037	3/4 SPLIT LOCKWASHER ZC
12	12	150038	3/4 HEX FINISH NUT ZC
13	2	504263	LOOSE HINGE BUSHING
14	2	150033	1" SPLIT LOCKWASHER
15	2	150034	1" HEX FINISH NUT
16	4	150698	WASHER 2"OD X 1 1/16ID GR 8 ZC
17	2	150200	1 X 7 HHCS GR 5 ZC

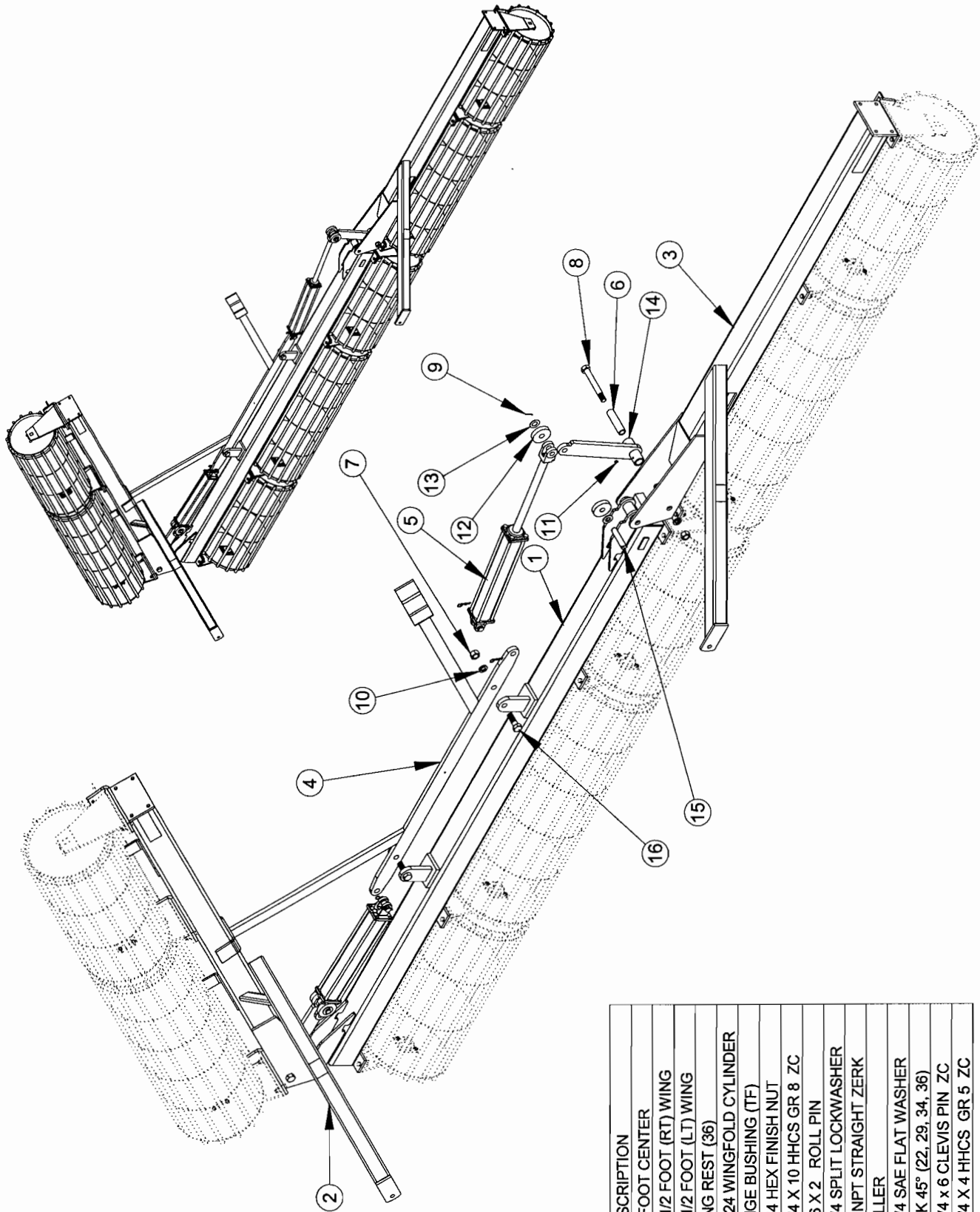


ITEM NO.	QTY.	PART NO.	DESCRIPTION
1	1	705000	STANDARD A-FRAME TONGUE
2	1	705018	15' TONGUE EXTENSION (LT)
3	1	705019	15' TONGUE EXTENSION (RT)
4	1	508095	TF IMPLEMENT JACK
5	2	150492	1/4 X 1/2 SELF-TAPPING SCREW ZC
6	1	350942	MANUAL HOLDER CLAMP
7	8	506722	PIPE CLAMP
8	8	150042	3/8 CENTERLOCK HEX NUT
9	1	350941	PLASTIC MANUAL HOLDER TUBE
10	1	300177	2 5/16" TRAILER BALL (HI-RISE) W/1 1/4" SHANK
11	1	705079	JACK SUPPORT
12	1	705026	HITCH TUBE
13	10	150656	3/4 X 2 HHCS GR 5
14	12	150037	3/4 SPLIT LOCKWASHER ZC
15	12	150038	3/4 HEX FINISH NUT ZC
16	2	508123	MOUNT PLATE
17	8	150742	1" X 10 HHCS GR5 ZC
18	16	150033	1" SPLIT LOCKWASHER
19	16	150034	1" HEX FINISH NUT
20	2	150016	3/4 X 6 HHCS GR2 ZC
21	4	150413	1 X 3 HHCS GR 5 ZC
22	4	150353	1 X 4 HHCS GR5 ZC
23	1	351108	JACK PIN w/CLIP

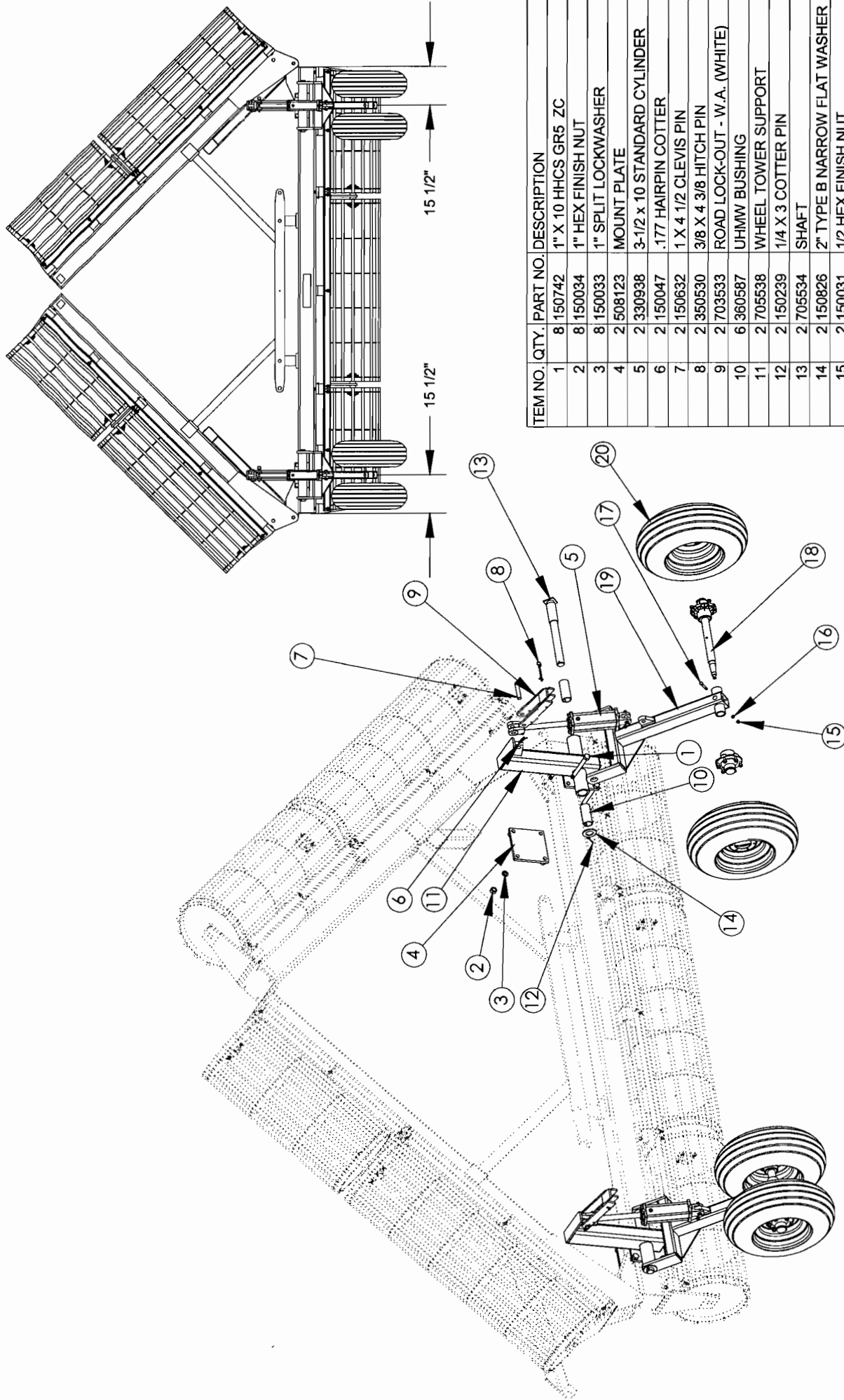
BACK VIEW



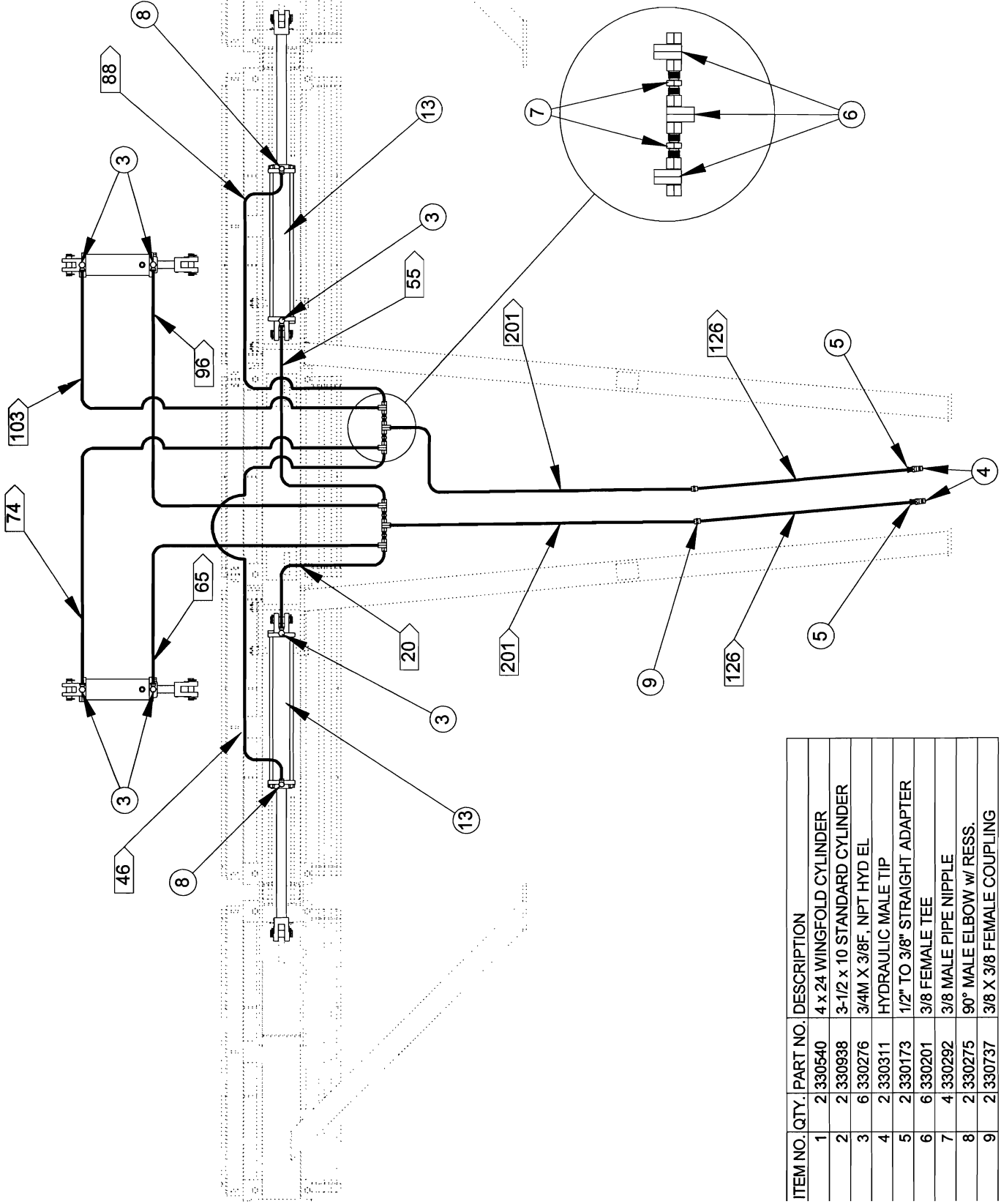




ITEM NO.	QTY.	PART NO.	DESCRIPTION
1	1	901208	15 FOOT CENTER
2	1	901209	10 1/2 FOOT (RT) WING
3	1	901220	10 1/2 FOOT (LT) WING
4	1	705107	WING REST (36)
5	2	330540	4 x 24 WINGFOLD CYLINDER
6	2	508007	HINGE BUSHING (TF)
7	4	150144	1 1/4 HEX FINISH NUT
8	2	150739	1 1/4 X 10 HHCS GR 8 ZC
9	4	150166	3/16 X 2 ROLL PIN
10	4	150157	1 1/4 SPLIT LOCKWASHER
11	4	150049	1/8 NPT STRAIGHT ZERK
12	4	506727	ROLLER
13	4	150172	1 1/4 SAE FLAT WASHER
14	2	705068	LINK 45° (22, 29, 34, 36)
15	2	350861	1-1/4 x 6 CLEVIS PIN ZC
16	2	150578	1 1/4 X 4 HHCS GR 5 ZC

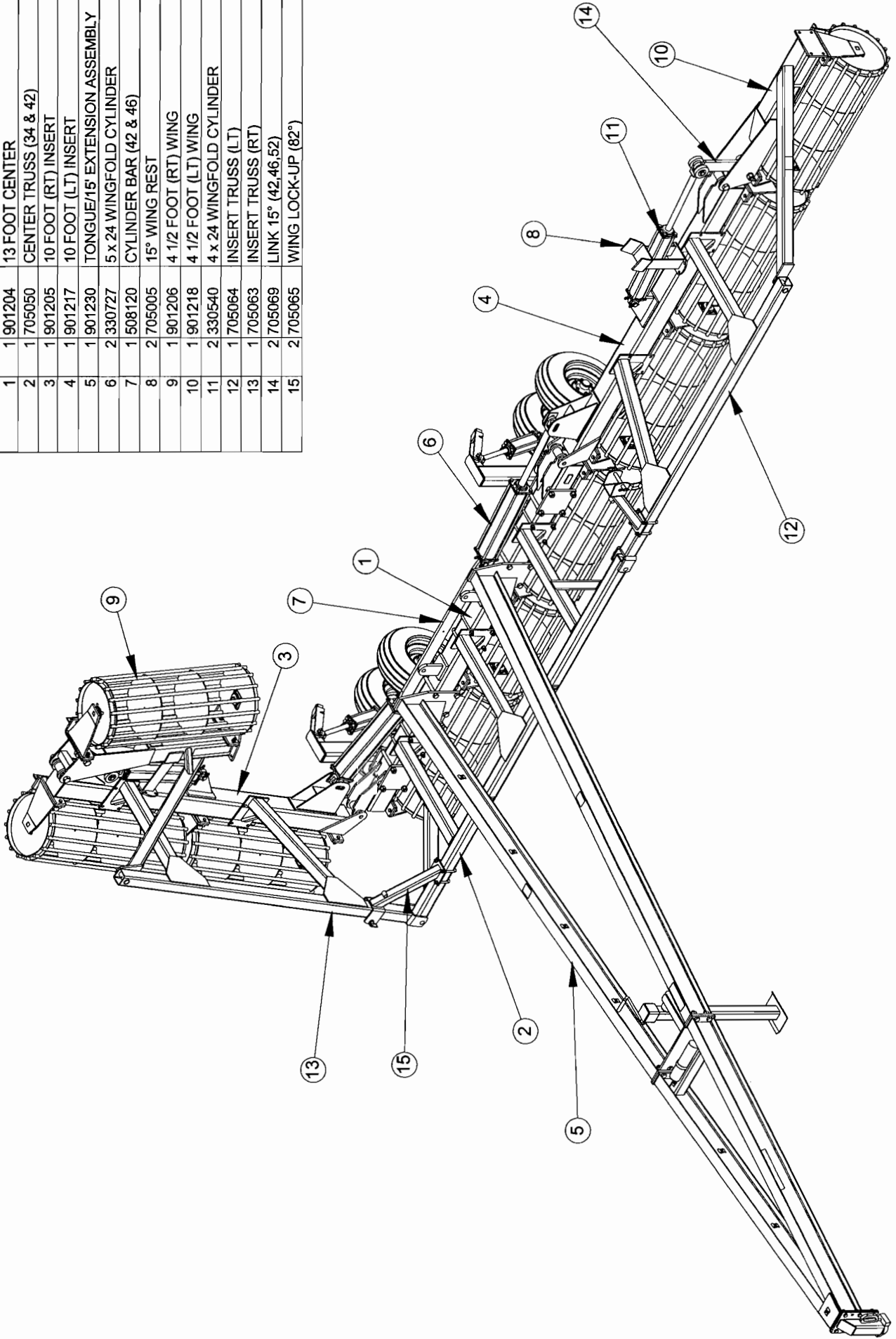


ITEM NO.	QTY.	PART NO.	DESCRIPTION
1	8	150742	1" X 10 HHCS GR5 ZC
2	8	150034	1" HEX FINISH NUT
3	8	150033	1" SPLIT LOCKWASHER
4	2	508123	MOUNT PLATE
5	2	330938	3-1/2 x 10 STANDARD CYLINDER
6	2	150047	.177 HAIRPIN COTTER
7	2	150632	1 X 4 1/2 CLEVIS PIN
8	2	350530	3/8 X 4 3/8 HITCH PIN
9	2	703533	ROAD LOCK-OUT - W.A. (WHITE)
10	6	360587	UHMW BUSHING
11	2	705538	WHEEL TOWER SUPPORT
12	2	150239	1/4 X 3 COTTER PIN
13	2	705534	SHAFT
14	2	150826	2" TYPE B NARROW FLAT WASHER
15	2	150031	1/2 HEX FINISH NUT
16	2	150030	1/2 SPLIT LOCKWASHER
17	2	150183	1/2 X 3 1/2 HHCS GR 5 ZC
18	2	800300	6 - BOLT HUB & SPINDLE ASSY.
19	2	705535	ROCKSHAFT-DUALS
20	4	802107	11L X 15 - 8PLY TIRE ASSEMBLY

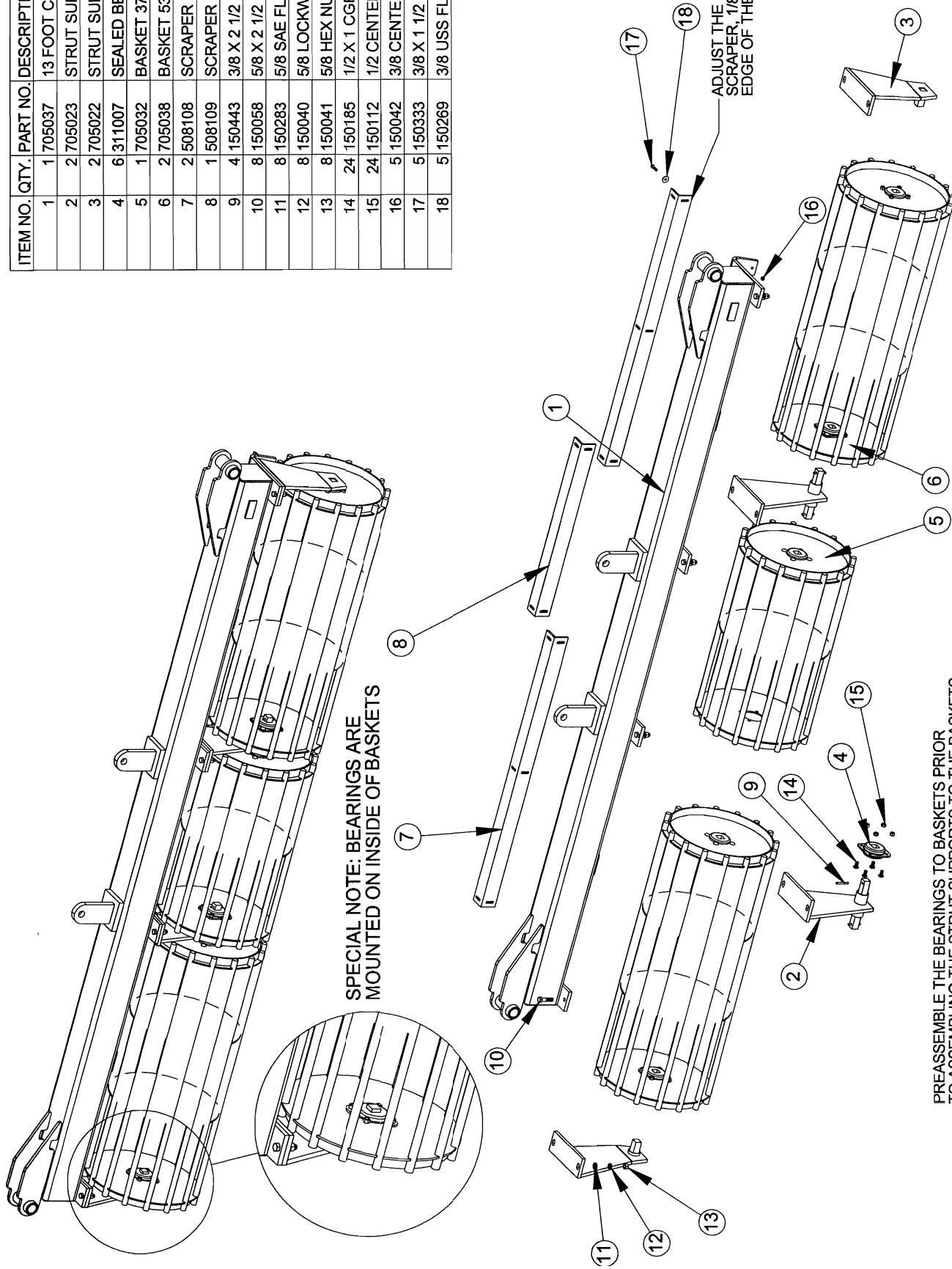


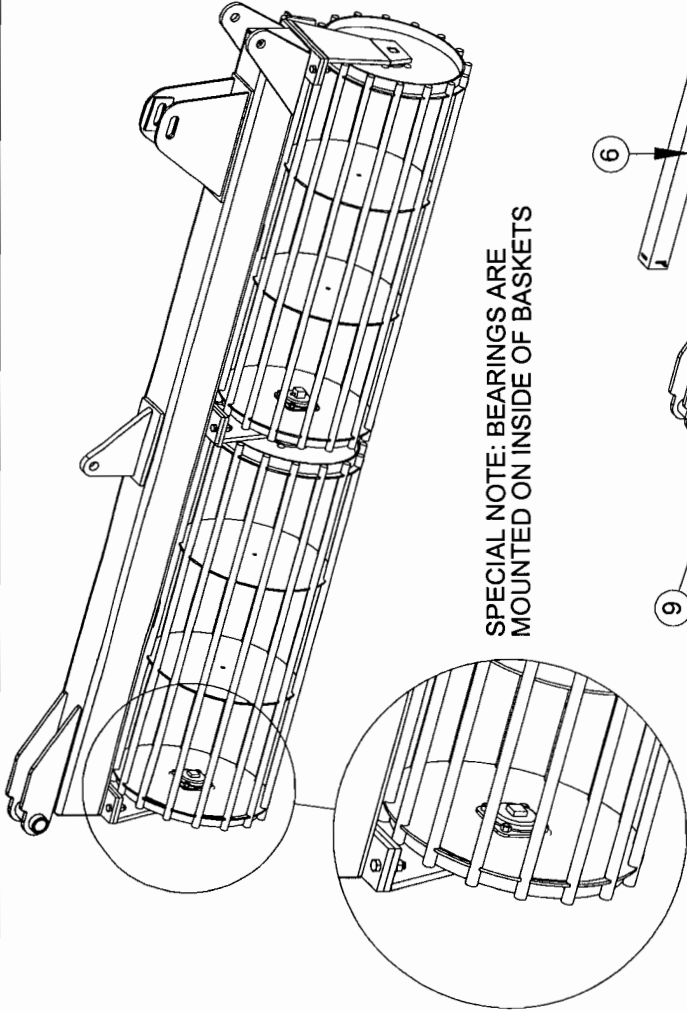
ITEM NO.	QTY.	PART NO.	DESCRIPTION
1	2	330540	4 x 24 WINGFOLD CYLINDER
2	2	330938	3-1/2 x 10 STANDARD CYLINDER
3	6	330276	3/4M X 3/8F, NPT HYD EL
4	2	330311	HYDRAULIC MALE TIP
5	2	330173	1/2" TO 3/8" STRAIGHT ADAPTER
6	6	330201	3/8 FEMALE TEE
7	4	330292	3/8 MALE PIPE NIPPLE
8	2	330275	90° MALE ELBOW w/ RESS.
9	2	330737	3/8 X 3/8 FEMALE COUPLING

ITEM NO.	QTY.	PART NO.	DESCRIPTION
1	1	901204	13 FOOT CENTER
2	1	705050	CENTER TRUSS (34 & 42)
3	1	901205	10 FOOT (RT) INSERT
4	1	901217	10 FOOT (LT) INSERT
5	1	901230	TONGUE/15° EXTENSION ASSEMBLY
6	2	330727	5 x 24 WINGFOLD CYLINDER
7	1	1508120	CYLINDER BAR (42 & 46)
8	2	705005	15° WING REST
9	1	901206	4 1/2 FOOT (RT) WING
10	1	901218	4 1/2 FOOT (LT) WING
11	2	330540	4 x 24 WINGFOLD CYLINDER
12	1	705064	INSERT TRUSS (LT)
13	1	705063	INSERT TRUSS (RT)
14	2	705069	LINK 15° (42,46,52)
15	2	705065	WING LOCK-UP (82°)



ITEM NO.	QTY.	PART NO.	DESCRIPTION
1	1	705037	13 FOOT CENTER FRAME
2	2	705023	STRUT SUPPORT DOUBLE
3	2	705022	STRUT SUPPORT SINGLE
4	6	311007	SEALED BEARING 1 1/4 SQ HOLE
5	1	705032	BASKET 37"
6	2	705038	BASKET 53"
7	2	508108	SCRAPER 56 3/8"
8	1	508109	SCRAPER 35 3/4"
9	4	150443	3/8 X 2 1/2 ROLL PIN
10	8	150058	5/8 X 2 1/2 HHCS GR 2 ZC
11	8	150283	5/8 SAE FLATWASHER
12	8	150040	5/8 LOCKWASHER
13	8	150041	5/8 HEX NUT
14	24	150185	1/2 X 1 CGE SCREW GR 5 ZC
15	24	150112	1/2 CENTERLOCK HEX NUT
16	5	150042	3/8 CENTERLOCK HEX NUT
17	5	150333	3/8 X 1 1/2 HHCS GR2 ZC
18	5	150269	3/8 USS FLAT WASHER





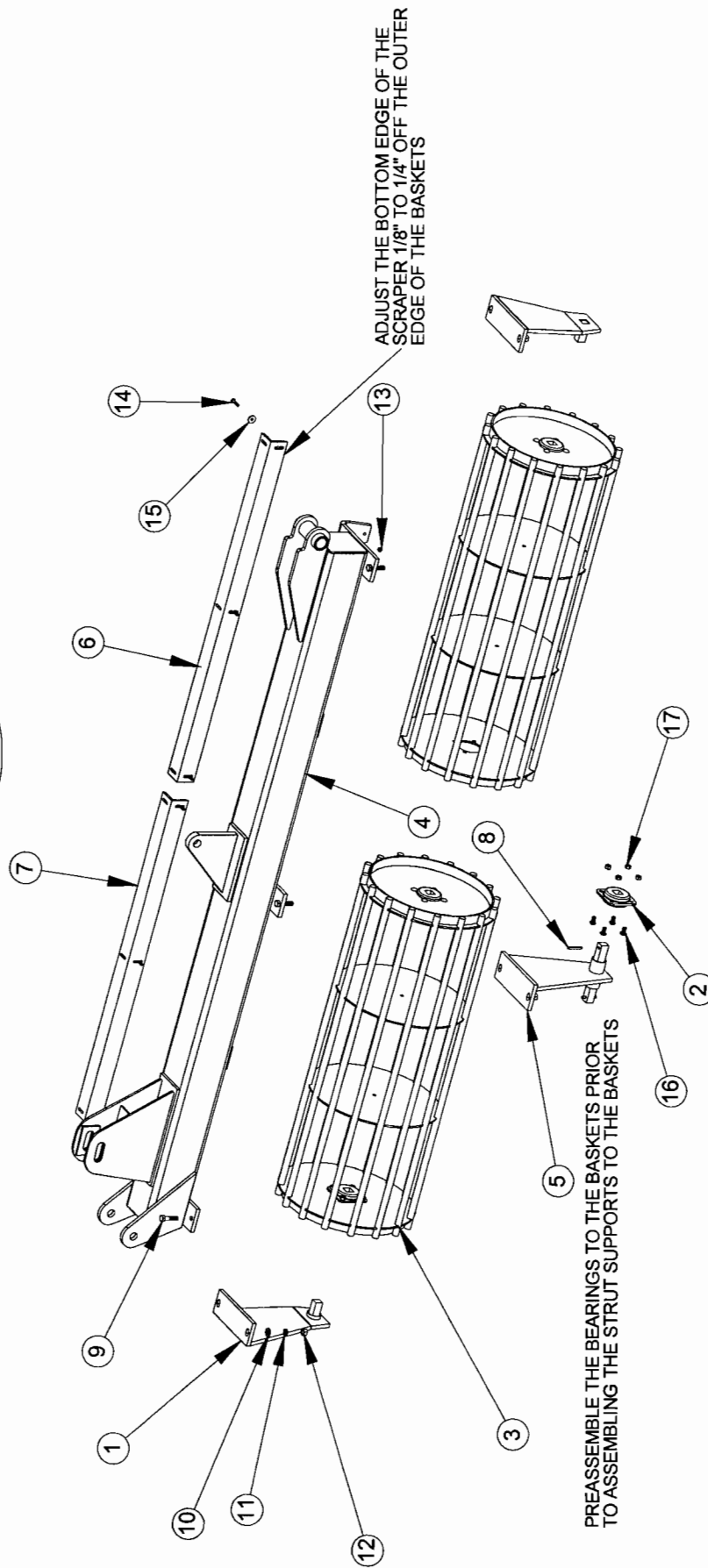
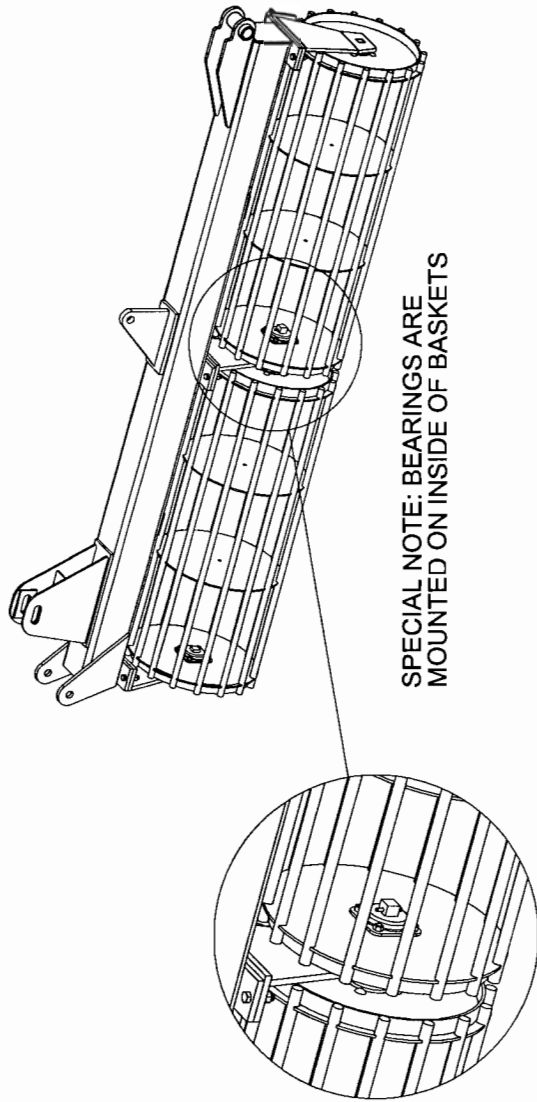
SPECIAL NOTE: BEARINGS ARE MOUNTED ON INSIDE OF BASKETS

ADJUST THE BOTTOM EDGE OF THE SCRAPER 1/8" TO 1/4" OFF THE OUTER EDGE OF THE BASKETS

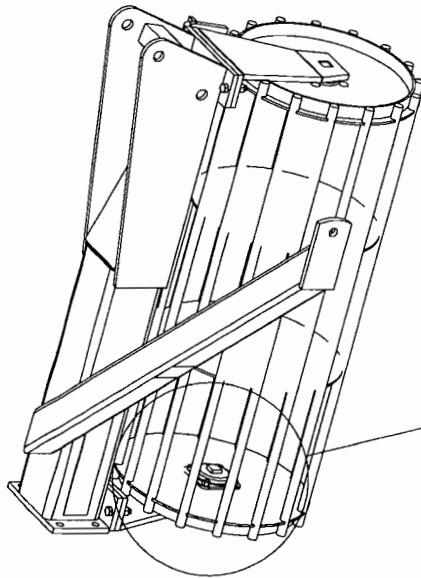
PREASSEMBLE THE BEARINGS TO THE BASKETS PRIOR TO ASSEMBLING THE STRUT SUPPORTS TO THE BASKETS

ITEM NO.	QTY.	PART NO.	DESCRIPTION
1	2	705022	STRUT SUPPORT SINGLE
2	1	705023	STRUT SUPPORT DOUBLE
3	4	311007	SEALED BEARING 1 1/4 SQ HOLE
4	1	705009	10 FOOT (RT) INSERT
5	2	705040	BASKET 56"
6	1	1508040	SCRAPER 59 3/8"
7	1	1508104	SCRAPER 56"
8	2	150443	3/8 X 2 1/2 ROLL PIN
9	6	150058	5/8 X 2 1/2 HHCS GR 2 ZC
10	6	150283	5/8 SAE FLATWASHER
11	6	150040	5/8 LOCKWASHER
12	6	150041	5/8 HEX NUT
13	16	150185	1/2 X 1 CGE SCREW GR 5 ZC
14	16	150112	1/2 CENTERLOCK HEX NUT
15	6	150042	3/8 CENTERLOCK HEX NUT
16	6	150333	3/8 X 1 1/2 HHCS GR2 ZC
17	6	150269	3/8 USS FLAT WASHER

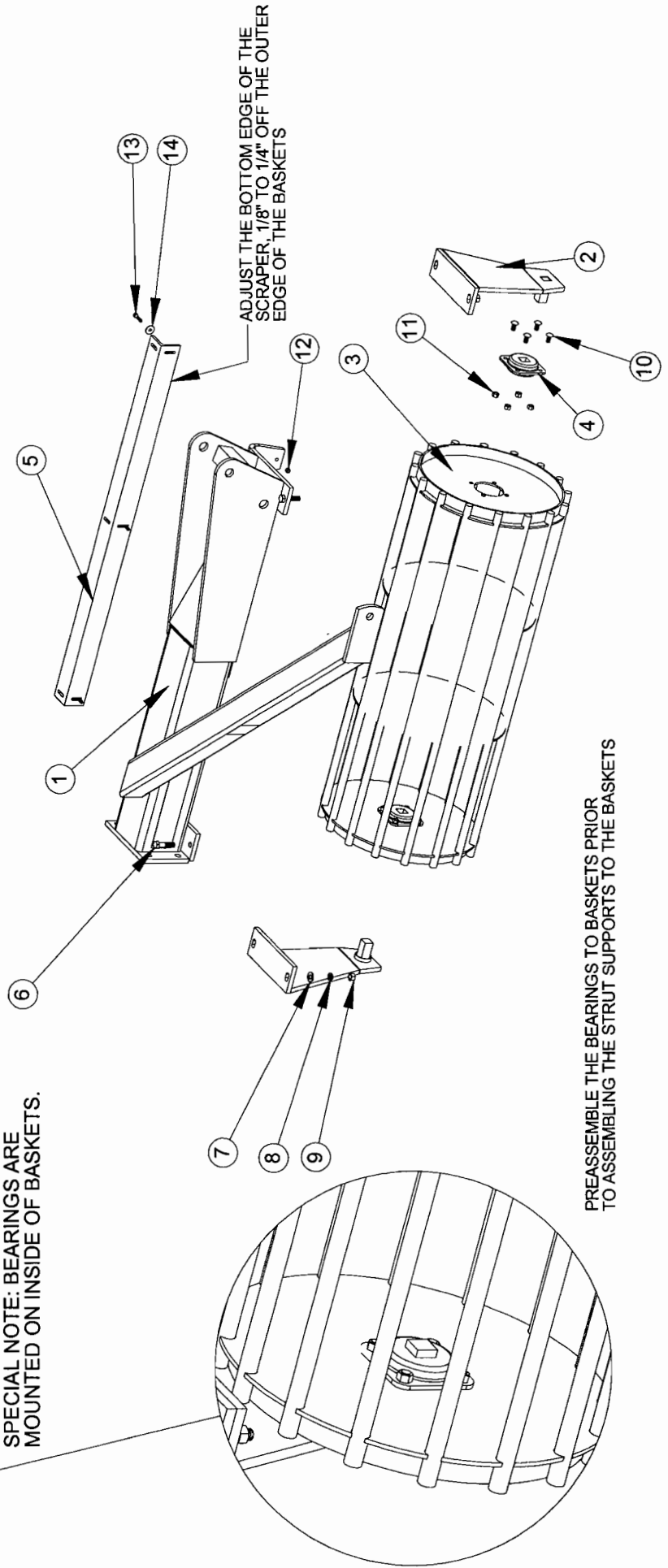
ITEM NO.	QTY.	PART NO.	DESCRIPTION
1	2	705022	STRUT SUPPORT SINGLE
2	4	311007	SEALED BEARING 1 1/4 SQ HOLE
3	2	705040	BASKET 56"
4	1	705010	10 FOOT (LT) INSERT
5	1	705023	STRUT SUPPORT DOUBLE
6	1	508040	SCRAPER 59 3/8"
7	1	508104	SCRAPER 56"
8	2	150443	3/8 X 2 1/2 ROLL PIN
9	6	150058	5/8 X 2 1/2 HHCS GR 2 ZC
10	6	150283	5/8 SAE FLATWASHER
11	6	150040	5/8 LOCKWASHER
12	6	150041	5/8 HEX NUT
13	6	150042	3/8 CENTERLOCK HEX NUT
14	6	150333	3/8 X 1 1/2 HHCS GR2 ZC
15	6	150269	3/8 USS FLAT WASHER
16	16	150185	1/2 X 1 CGE SCREW GR 5 ZC
17	16	150112	1/2 CENTERLOCK HEX NUT



ITEM NO.	QTY.	PART NO.	DESCRIPTION
1	1	705001	4 1/2 FOOT WING (RT)
2	2	705022	STRUT SUPPORT SINGLE
3	1	705038	BASKET 53"
4	2	311007	SEALED BEARING 1 1/4 SQ HOLE
5	1	508051	SCRAPER 54 3/16"
6	4	150058	5/8 X 2 1/2 HHCS GR 2 ZC
7	4	150283	5/8 SAE FLATWASHER
8	4	150040	5/8 LOCKWASHER
9	4	150041	5/8 HEX NUT
10	8	150185	1/2 X 1 CGE SCREW GR 5 ZC
11	8	150112	1/2 CENTERLOCK HEX NUT
12	3	150042	3/8 CENTERLOCK HEX NUT
13	3	150333	3/8 X 1 1/2 HHCS GR2 ZC
14	3	150269	3/8 USS FLAT WASHER

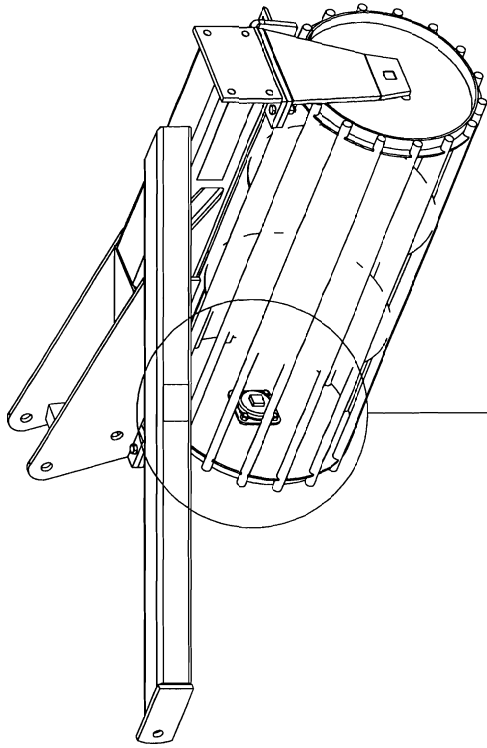


SPECIAL NOTE: BEARINGS ARE MOUNTED ON INSIDE OF BASKETS.

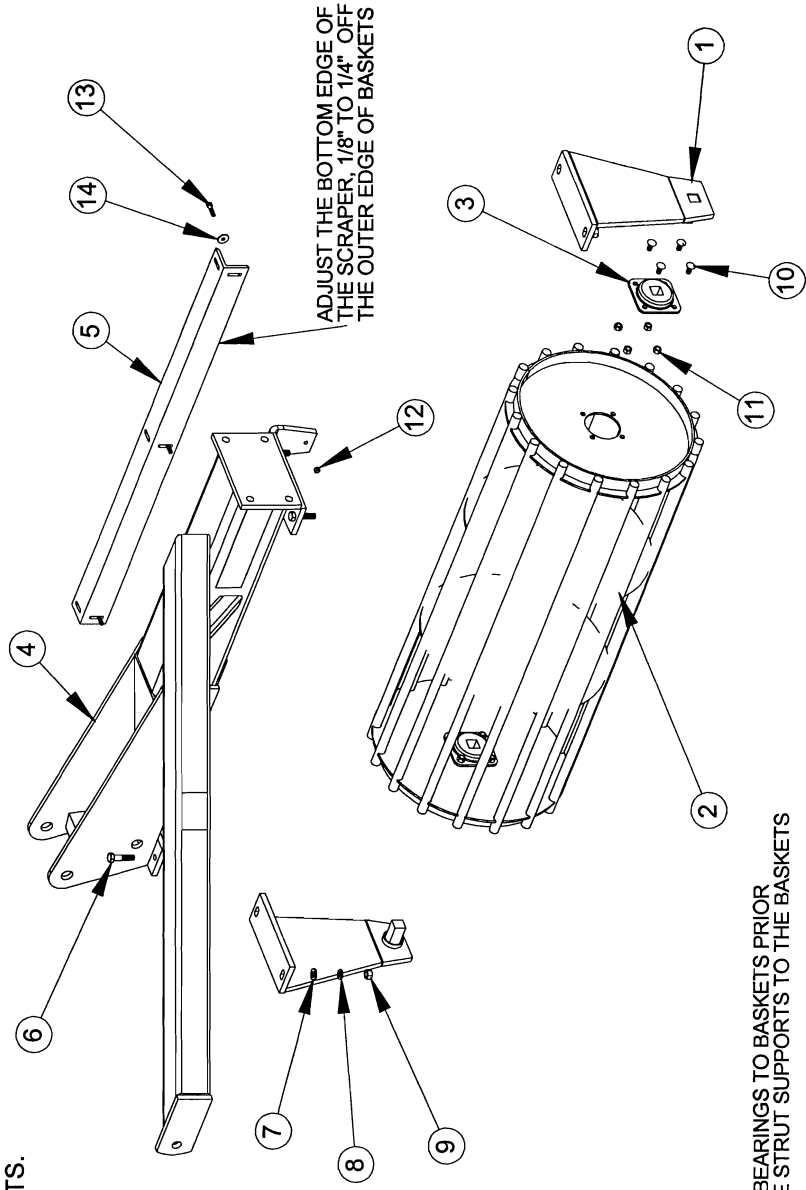




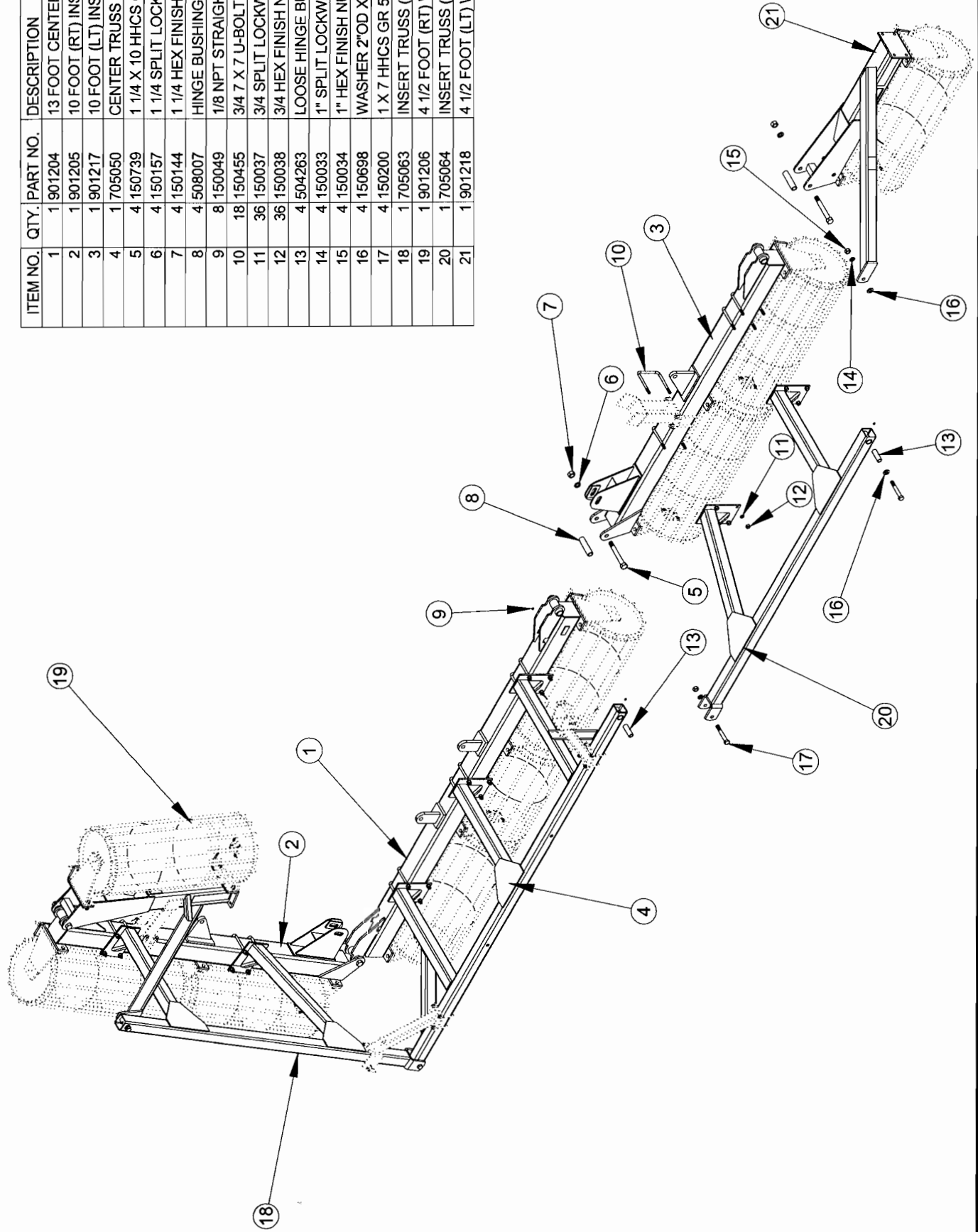
ITEM NO.	QTY.	PART NO.	DESCRIPTION
1	2	705022	STRUT SUPPORT SINGLE
2	1	705038	BASKET 53"
3	2	311007	SEALED BEARING 1 1/4 SQ HOLE
4	1	705002	4 1/2 FOOT (L-T) WING
5	1	508051	SCRAPER 54 3/16"
6	4	150058	5/8 X 2 1/2 HHCS GR 2 ZC
7	4	150283	5/8 SAE FLATWASHER
8	4	150040	5/8 LOCKWASHER
9	4	150041	5/8 HEX NUT
10	8	150185	1/2 X 1 CGE SCREW GR 5 ZC
11	8	150112	1/2 CENTERLOCK HEX NUT
12	3	150042	3/8 CENTERLOCK HEX NUT
13	3	150333	3/8 X 1 1/2 HHCS GR2 ZC
14	3	150269	3/8 USS FLAT WASHER



SPECIAL NOTE: BEARINGS ARE MOUNTED ON INSIDE OF BASKETS.

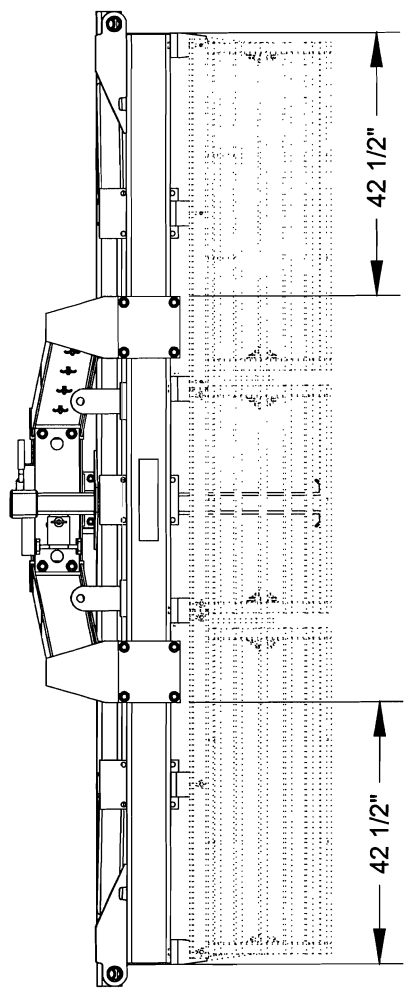


PREASSEMBLE THE BEARINGS TO BASKETS PRIOR TO ASSEMBLING THE STRUT SUPPORTS TO THE BASKETS

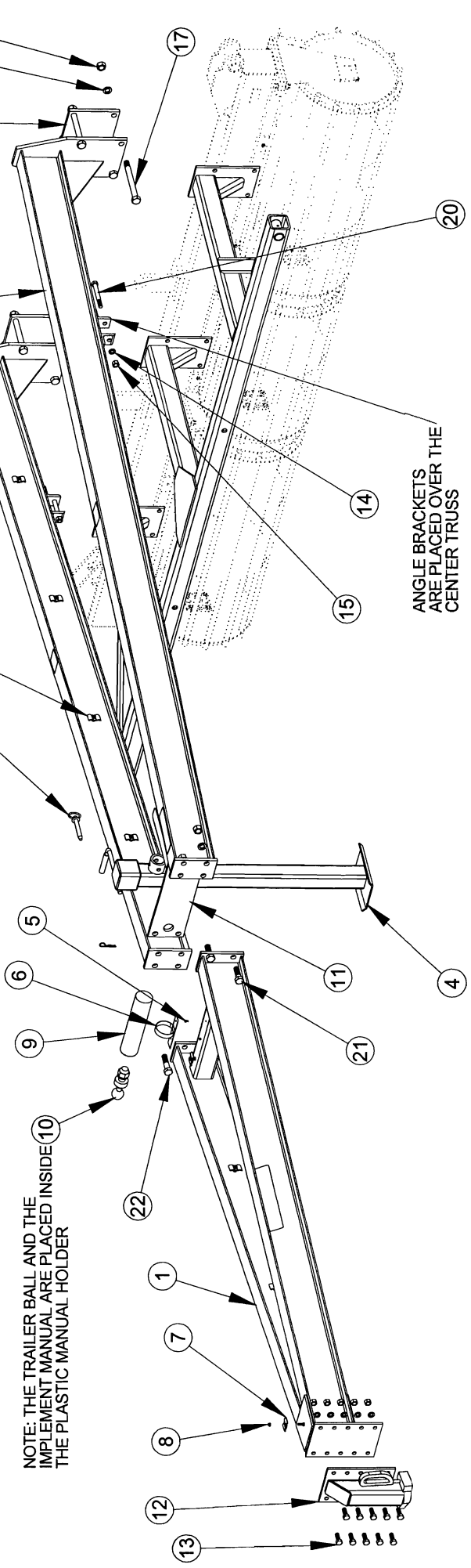


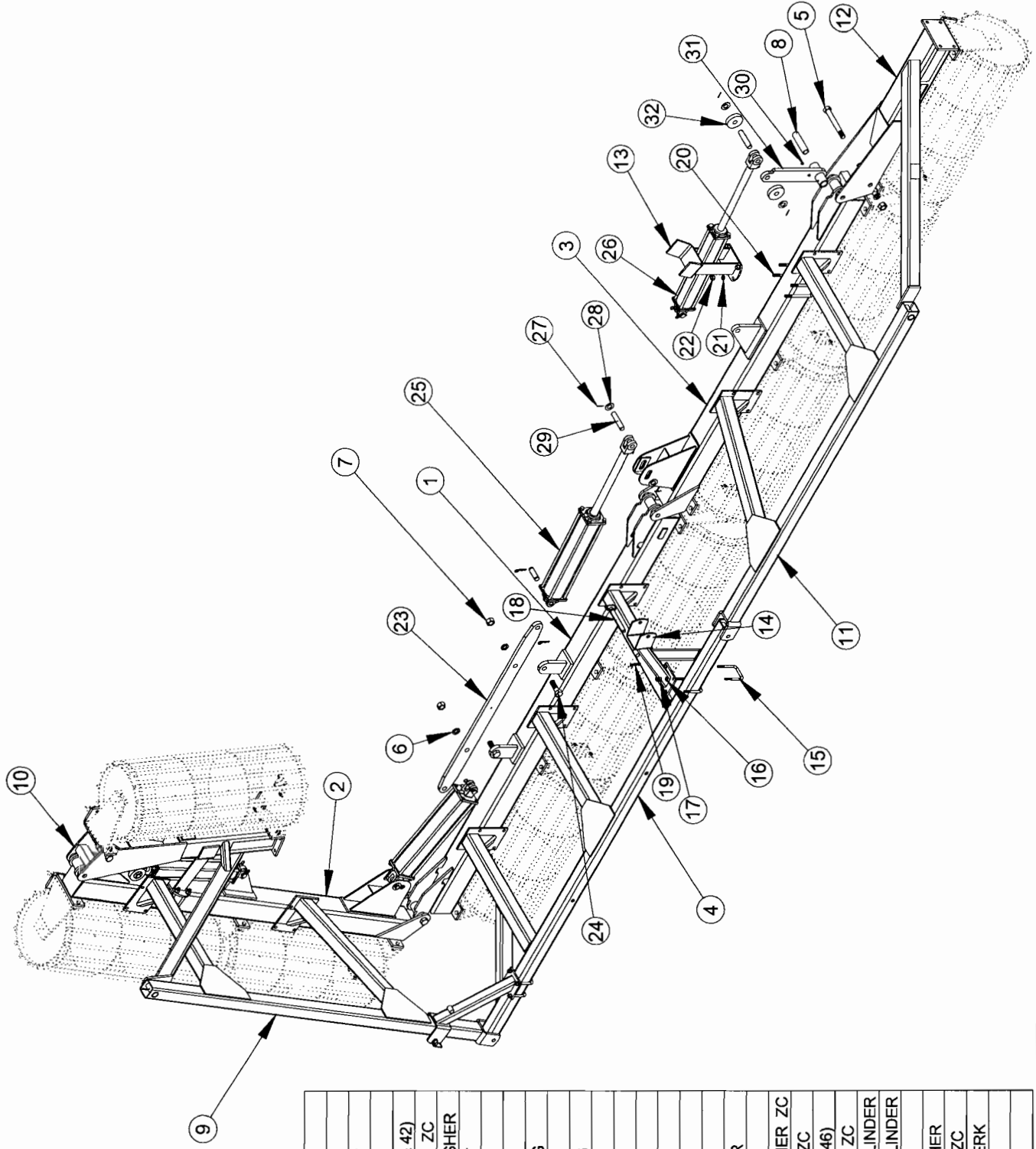
ITEM NO.	QTY.	PART NO.	DESCRIPTION
1	1	901204	13 FOOT CENTER
2	1	901205	10 FOOT (RT) INSERT
3	1	901217	10 FOOT (LT) INSERT
4	1	705050	CENTER TRUSS (34, 42, & 46)
5	4	150739	1 1/4 X 10 HHCS GR 8 ZC
6	4	150157	1 1/4 SPLIT LOCKWASHER
7	4	150144	1 1/4 HEX FINISH NUT
8	4	508007	HINGE BUSHING (TF)
9	8	150049	1/8 NPT STRAIGHT ZERK
10	18	150455	3/4 X 7 U-BOLT
11	36	150037	3/4 SPLIT LOCKWASHER ZC
12	36	150038	3/4 HEX FINISH NUT ZC
13	4	504263	LOOSE HINGE BUSHING
14	4	150033	1" SPLIT LOCKWASHER
15	4	150034	1" HEX FINISH NUT
16	4	150698	WASHER 2"OD X 1 1/16ID GR 8 ZC
17	4	150200	1 X 7 HHCS GR 5 ZC
18	1	705063	INSERT TRUSS (RT)
19	1	901206	4 1/2 FOOT (RT) WING
20	1	705064	INSERT TRUSS (LT)
21	1	901218	4 1/2 FOOT (LT) WING

BACK VIEW

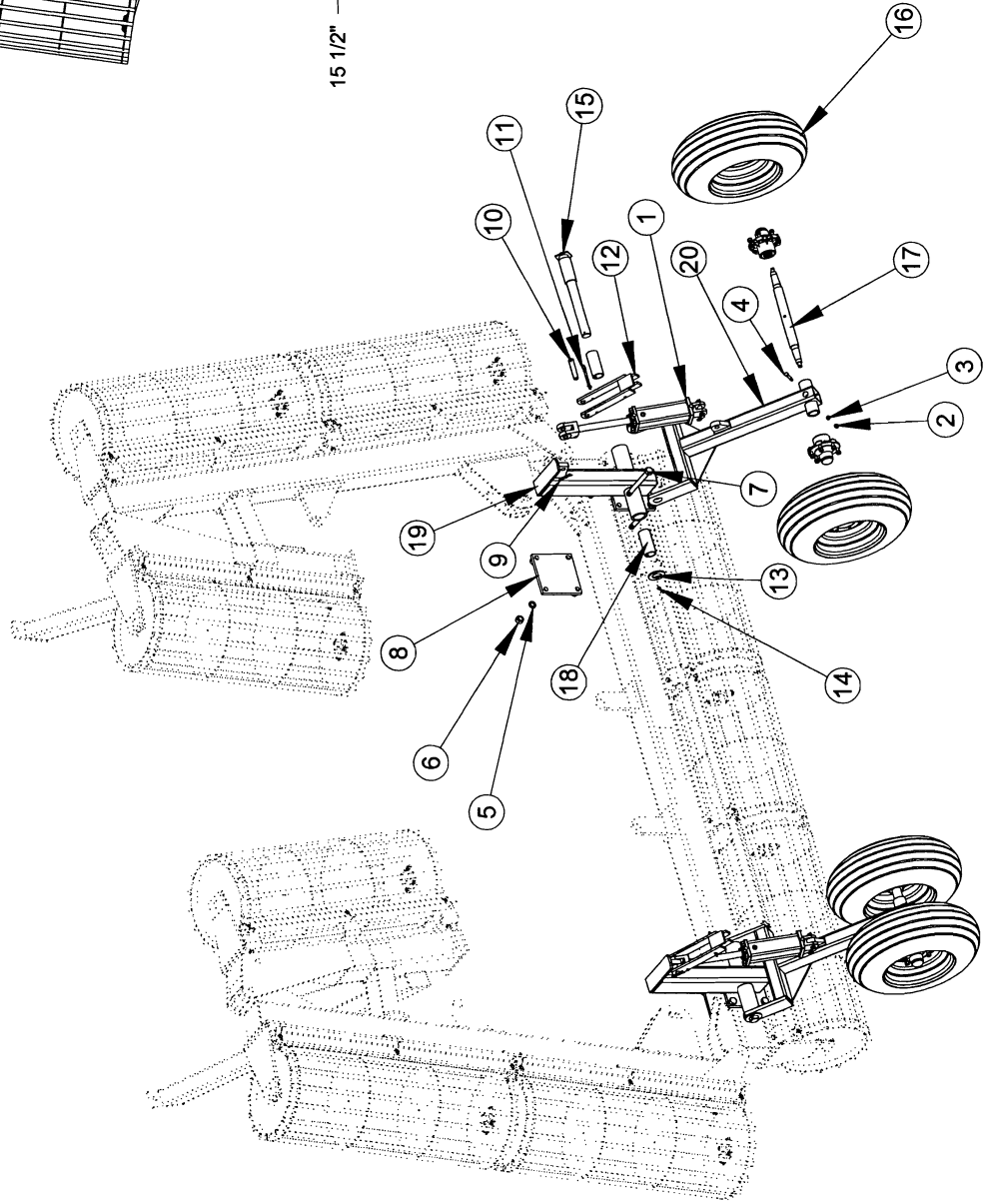
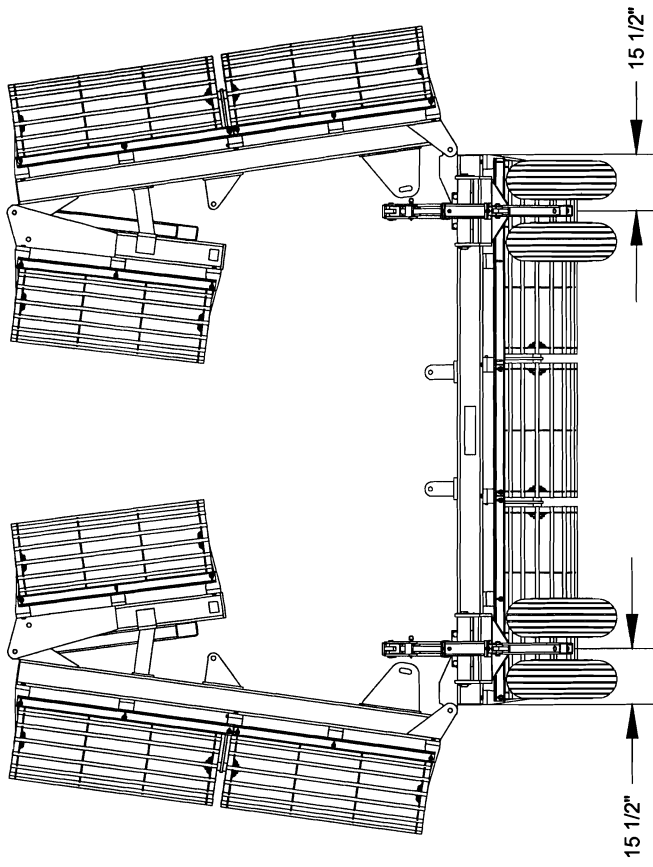


ITEM NO.	QTY.	PART NO.	DESCRIPTION
1	1	705000	STANDARD A-FRAME TONGUE
2	1	705018	15' TONGUE EXTENSION (LT)
3	1	705019	15' TONGUE EXTENSION (RT)
4	1	508095	TF IMPLEMENT JACK
5	2	150492	1/4 X 1/2 SELF-TAPPING SCREW ZC
6	1	350942	MANUAL HOLDER CLAMP
7	8	506722	PIPE CLAMP
8	8	150042	3/8 CENTERLOCK HEX NUT
9	1	350941	PLASTIC MANUAL HOLDER TUBE
10	1	300177	2 5/16" TRAILER BALL (HI-RISE) W/1 1/4" SHANK
11	1	705079	JACK SUPPORT
12	1	705026	HITCH TUBE
13	10	150656	3/4 X 2 HHCS GR 5
14	12	150037	3/4 SPLIT LOCKWASHER ZC
15	12	150038	3/4 HEX FINISH NUT ZC
16	2	508123	MOUNT PLATE
17	8	150742	1" X 10 HHCS GR5 ZC
18	16	150033	1" SPLIT LOCKWASHER
19	16	150034	1" HEX FINISH NUT
20	2	150016	3/4 X 6 HHCS GR2 ZC
21	4	150413	1 X 3 HHCS GR 5 ZC
22	4	150353	1 X 4 HHCS GR5 ZC
23	1	351108	JACK PIN w/CLIP





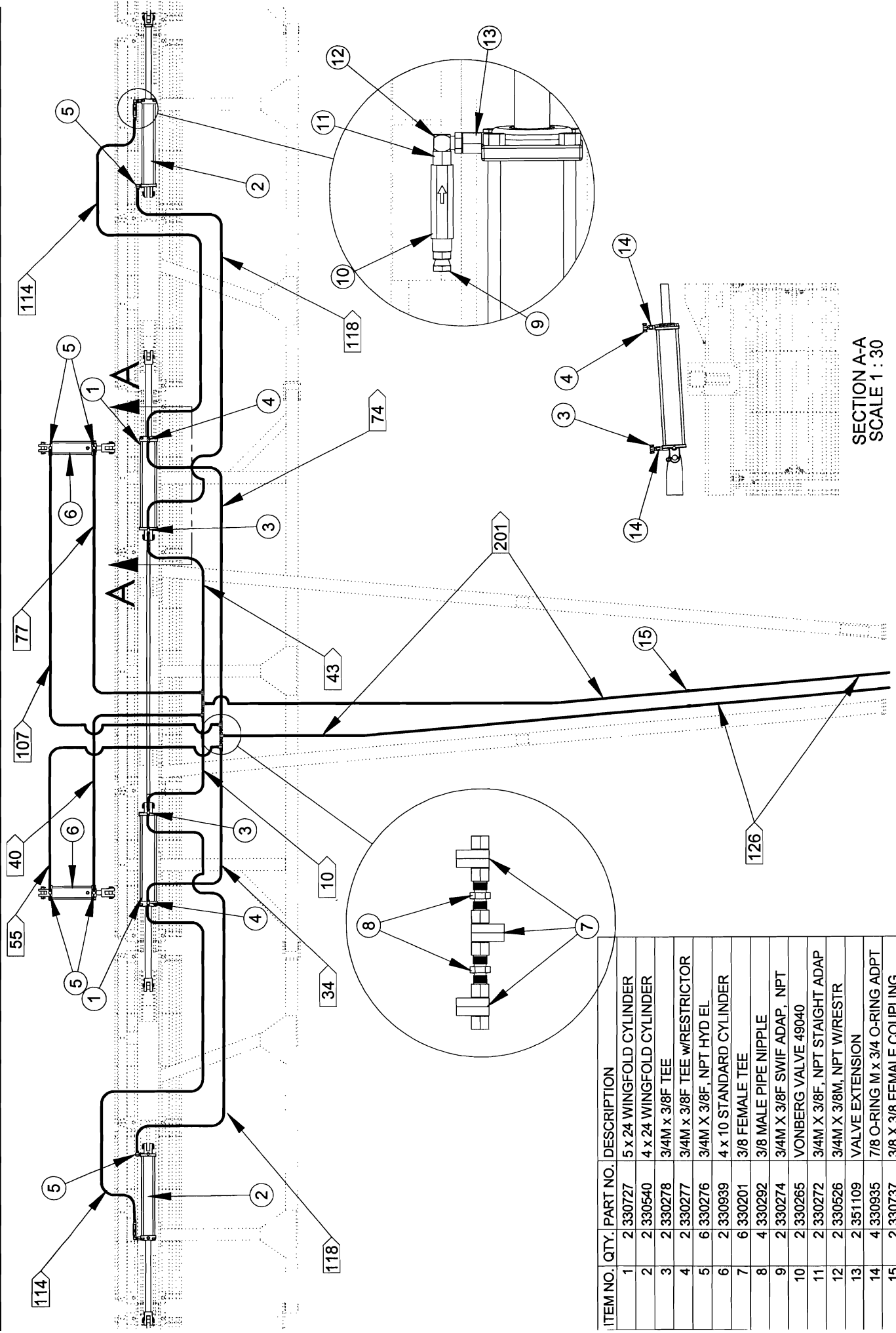
ITEM NO.	QTY.	PART NO.	DESCRIPTION
1	1	901204	13 FOOT CENTER
2	1	901205	10 FOOT (RT) INSERT
3	1	901217	10 FOOT (LT) INSERT
4	1	705050	CENTER TRUSS (34 & 42)
5	3	150739	1 1/4 X 10 HHCS GR 8 ZC
6	5	150157	1 1/4 SPLIT LOCKWASHER
7	5	150144	1 1/4 HEX FINISH NUT
8	3	508007	HINGE BUSHING (TF)
9	1	705063	INSERT TRUSS (RT)
10	1	901206	4 1/2 FOOT (RT) WING
11	1	705064	INSERT TRUSS (LT)
12	1	901218	4 1/2 FOOT (LT) WING
13	2	705005	15° WING REST
14	2	705065	WING LOCK-UP (82°)
15	4	150100	5/8 X 4 U-BOLT
16	8	150040	5/8 LOCKWASHER
17	8	150041	5/8 HEX NUT
18	2	150666	1" X 7 3/4 HITCH PIN
19	2	150047	.177 HAIRPIN COTTER
20	4	150455	3/4 X 7 X 7 U-BOLT
21	8	150037	3/4 SPLIT LOCKWASHER ZC
22	8	150038	3/4 HEX FINISH NUT ZC
23	1	508120	CYLINDER BAR (42 & 46)
24	2	150578	1 1/4 X 4 HHCS GR 5 ZC
25	2	330727	5 x 24 WINGFOLD CYLINDER
26	2	330540	4 x 24 WINGFOLD CYLINDER
27	8	150166	3/16 X 2 ROLL PIN
28	8	150172	1 1/4 SAE FLAT WASHER
29	4	350861	1-1/4 x 6 CLEVIS PIN ZC
30	4	150049	1/8 NPT STRAIGHT ZERK
31	2	705069	LINK 15° (42,46,52)
32	4	506727	ROLLER



ITEM NO.	QTY.	PART NO.	DESCRIPTION
1	2	330938	3-1/2 x 10 STANDARD CYLINDER
2	2	150031	1/2 HEX FINISH NUT
3	2	150030	1/2 SPLIT LOCKWASHER
4	2	150183	1/2 X 3 1/2 HHCS GR 5 ZC
5	8	150033	1" SPLIT LOCKWASHER
6	8	150034	1" HEX FINISH NUT
7	8	150742	1" X 10 HHCS GR5 ZC
8	2	508123	MOUNT PLATE
9	2	150047	.177 HAIRPIN COTTER
10	2	150632	1 X 4 1/2 CLEVIS PIN
11	2	350530	3/8 X 4 3/8 HITCH PIN
12	2	703535	ROAD LOCK-OUT - W.A. (WHITE)
13	2	150826	2" TYPE B NARROW FLAT WASHER
14	2	150239	1/4 X 3 COTTER PIN
15	2	705534	SHAFT
16	4	802107	11L X 15 - 8PLY TIRE ASSEMBLY
17	2	800300	6 - BOLT HUB & SPINDLE ASSY.
18	6	360587	UHMW BUSHING
19	2	705538	WHEEL TOWER SUPPORT
20	2	705535	ROCKSHAFT-DUALS

**10502 - WHEEL ASSEMBLY  
AND PLACEMENT**

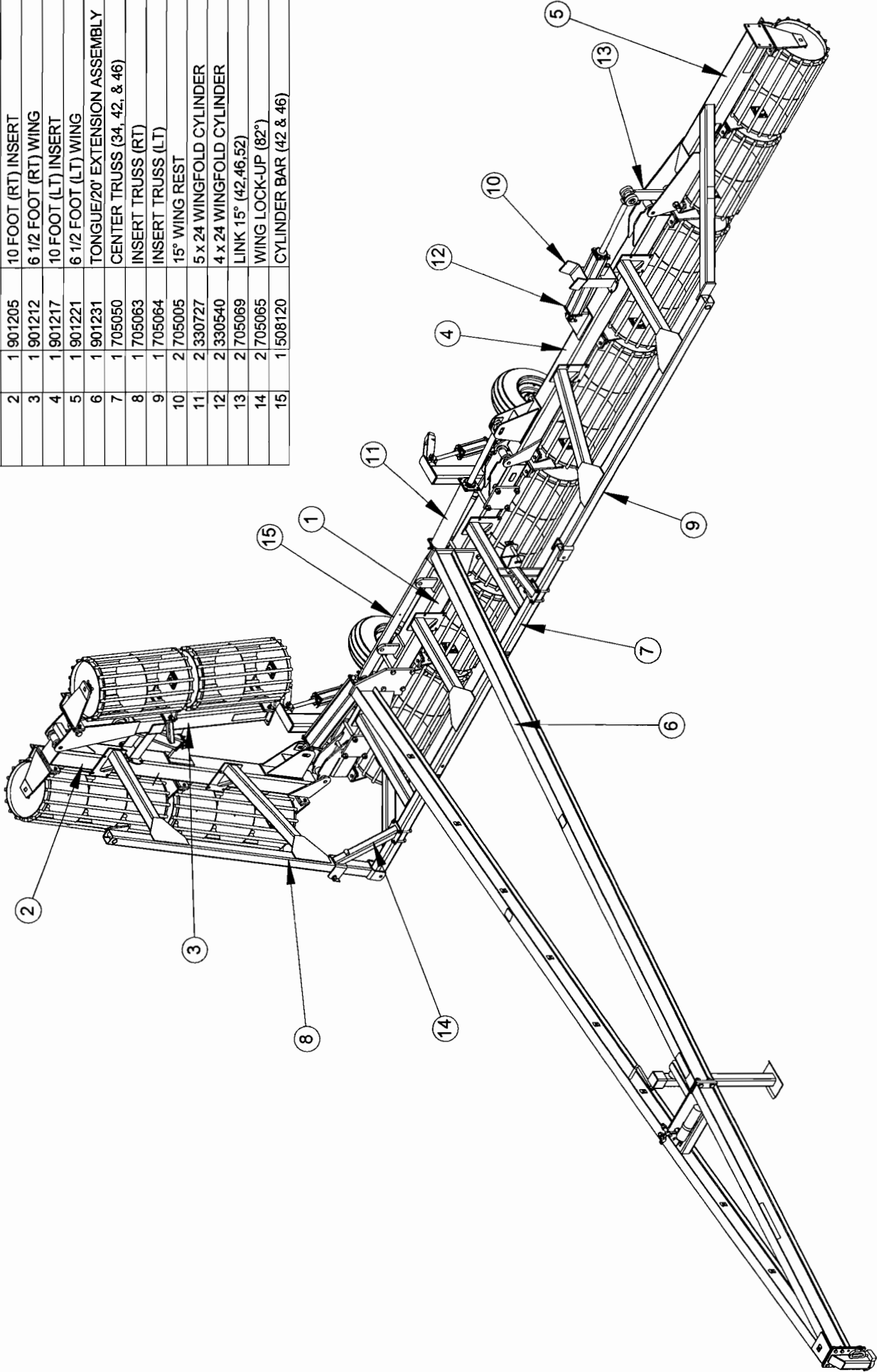
**TERRA-FIRM'R 5-42 6/12/01**



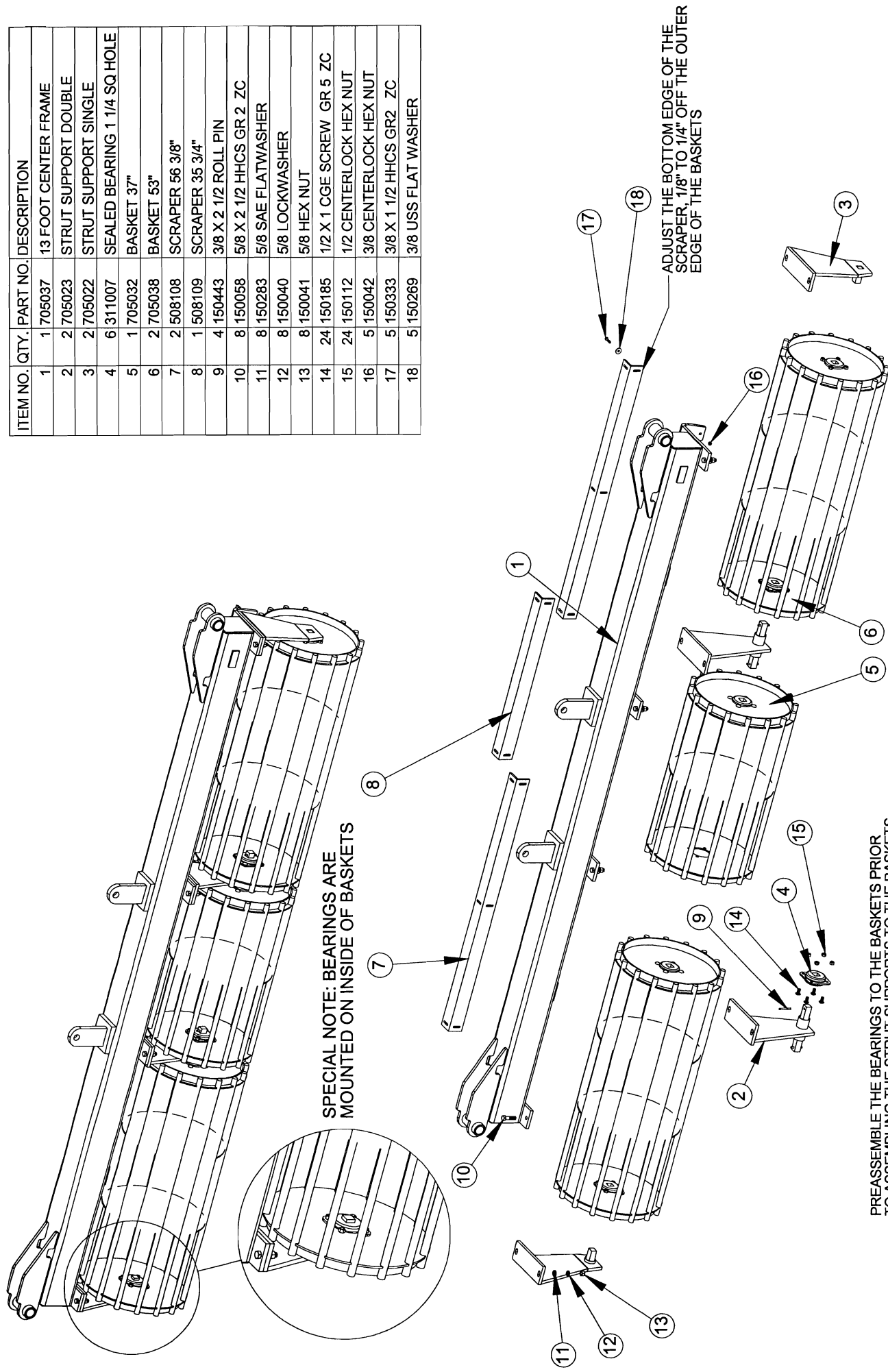
ITEM NO.	QTY.	PART NO.	DESCRIPTION
1	2	330727	5 x 24 WINGFOLD CYLINDER
2	2	330540	4 x 24 WINGFOLD CYLINDER
3	2	330278	3/4M x 3/8F TEE
4	2	330277	3/4M x 3/8F. TEE w/RESTRICTOR
5	6	330276	3/4M X 3/8F. NPT HYD EL
6	2	330939	4 x 10 STANDARD CYLINDER
7	6	330201	3/8 FEMALE TEE
8	4	330292	3/8 MALE PIPE NIPPLE
9	2	330274	3/4M X 3/8F SWIF ADAP, NPT
10	2	330265	VONBERG VALVE 49040
11	2	330272	3/4M X 3/8F. NPT STRAIGHT ADAP
12	2	330526	3/4M X 3/8M. NPT W/RESTR
13	2	351109	VALVE EXTENSION
14	4	330935	7/8 O-RING M x 3/4 O-RING ADPT
15	2	330737	3/8 X 3/8 FEMALE COUPLING

SECTION A-A  
SCALE 1 : 30

ITEM NO.	QTY.	PART NO.	DESCRIPTION
1	1	901204	13 FOOT CENTER
2	1	901205	10 FOOT (RT) INSERT
3	1	901212	6 1/2 FOOT (RT) WING
4	1	901217	10 FOOT (LT) INSERT
5	1	901221	6 1/2 FOOT (LT) WING
6	1	901231	TONGUE/20' EXTENSION ASSEMBLY
7	1	705050	CENTER TRUSS (34, 42, & 46)
8	1	705063	INSERT TRUSS (RT)
9	1	705064	INSERT TRUSS (LT)
10	2	705005	15" WING REST
11	2	330727	5 x 24 WINGFOLD CYLINDER
12	2	330540	4 x 24 WINGFOLD CYLINDER
13	2	705069	LINK 15" (42,46,52)
14	2	705065	WING LOCK-UP (82°)
15	1	508120	CYLINDER BAR (42 & 46)



ITEM NO.	QTY.	PART NO.	DESCRIPTION
1	1	705037	13 FOOT CENTER FRAME
2	2	705023	STRUT SUPPORT DOUBLE
3	2	705022	STRUT SUPPORT SINGLE
4	6	311007	SEALED BEARING 1 1/4 SQ HOLE
5	1	705032	BASKET 37"
6	2	705038	BASKET 53"
7	2	508108	SCRAPER 56 3/8"
8	1	508109	SCRAPER 35 3/4"
9	4	150443	3/8 X 2 1/2 ROLL PIN
10	8	150058	5/8 X 2 1/2 HHCS GR 2 ZC
11	8	150283	5/8 SAE FLATWASHER
12	8	150040	5/8 LOCKWASHER
13	8	150041	5/8 HEX NUT
14	24	150185	1/2 X 1 CGE SCREW GR 5 ZC
15	24	150112	1/2 CENTERLOCK HEX NUT
16	5	150042	3/8 CENTERLOCK HEX NUT
17	5	150333	3/8 X 1 1/2 HHCS GR2 ZC
18	5	150269	3/8 USS FLAT WASHER



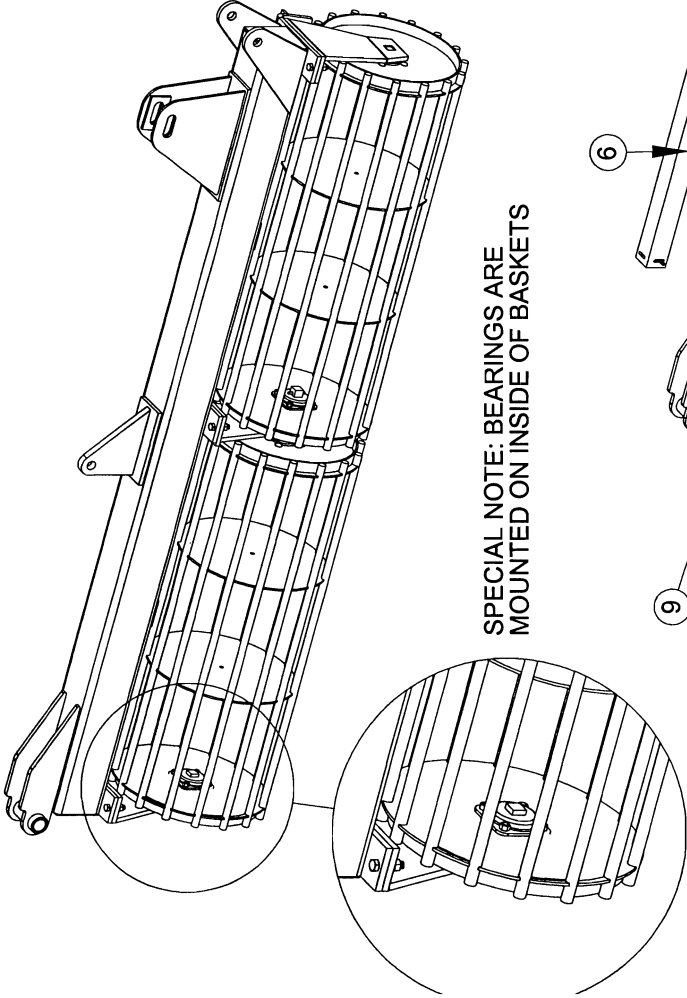
SPECIAL NOTE: BEARINGS ARE MOUNTED ON INSIDE OF BASKETS

ADJUST THE BOTTOM EDGE OF THE SCRAPER, 1/8" TO 1/4" OFF THE OUTER EDGE OF THE BASKETS

PREASSEMBLE THE BEARINGS TO THE BASKETS PRIOR TO ASSEMBLING THE STRUT SUPPORTS TO THE BASKETS



ITEM NO.	QTY.	PART NO.	DESCRIPTION
1	2	705022	STRUT SUPPORT SINGLE
2	1	705023	STRUT SUPPORT DOUBLE
3	4	311007	SEALED BEARING 1 1/4 SQ HOLE
4	1	705009	10 FOOT (RT) INSERT
5	2	705040	BASKET 56"
6	1	508040	SCRAPER 59 3/8"
7	1	508104	SCRAPER 56"
8	2	150443	3/8 X 2 1/2 ROLL PIN
9	6	150058	5/8 X 2 1/2 HHCS GR 2 ZC
10	6	150283	5/8 SAE FLATWASHER
11	6	150040	5/8 LOCKWASHER
12	6	150041	5/8 HEX NUT
13	16	150185	1/2 X 1 CGE SCREW GR 5 ZC
14	16	150112	1/2 CENTERLOCK HEX NUT
15	6	150042	3/8 CENTERLOCK HEX NUT
16	6	150333	3/8 X 1 1/2 HHCS GR2 ZC
17	6	150269	3/8 USS FLAT WASHER

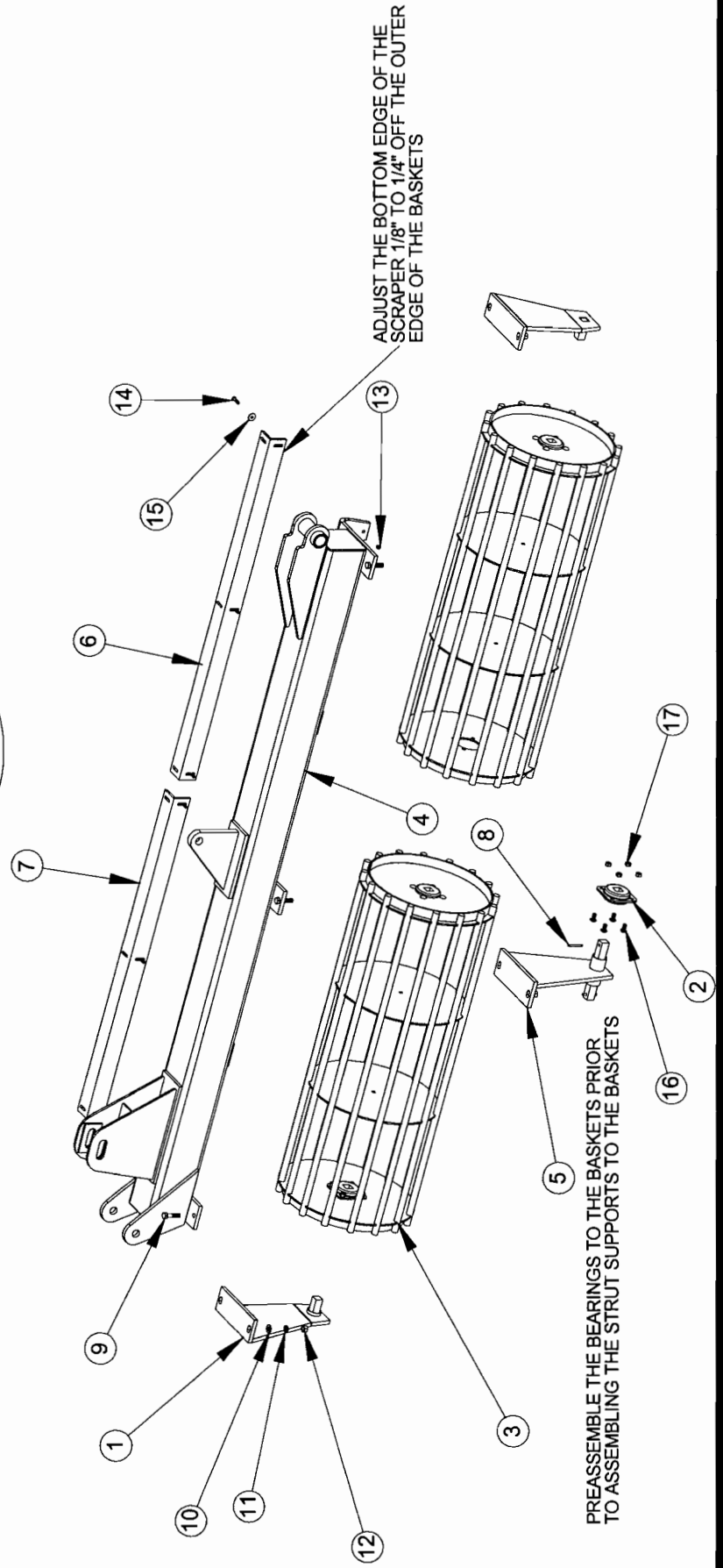
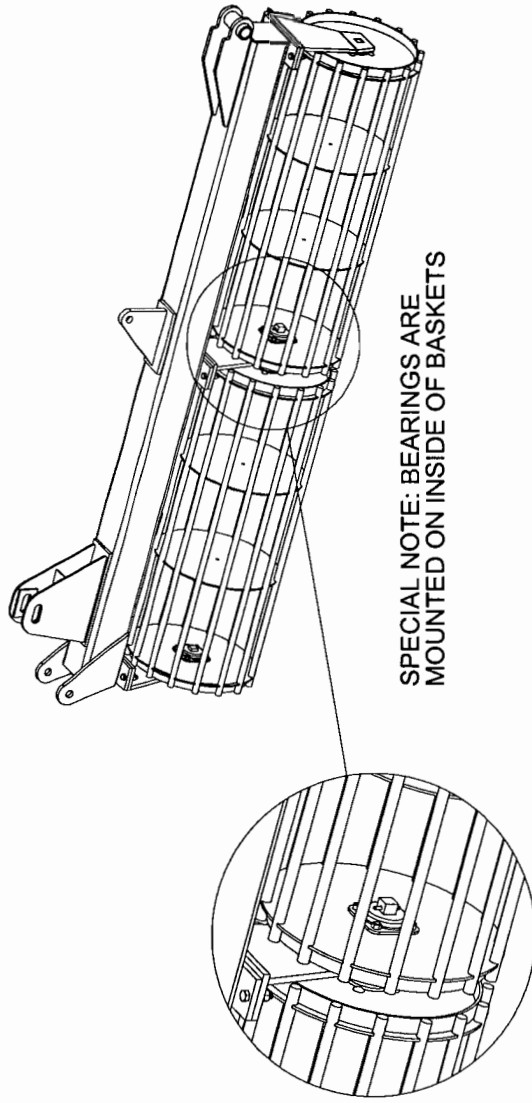


SPECIAL NOTE: BEARINGS ARE MOUNTED ON INSIDE OF BASKETS

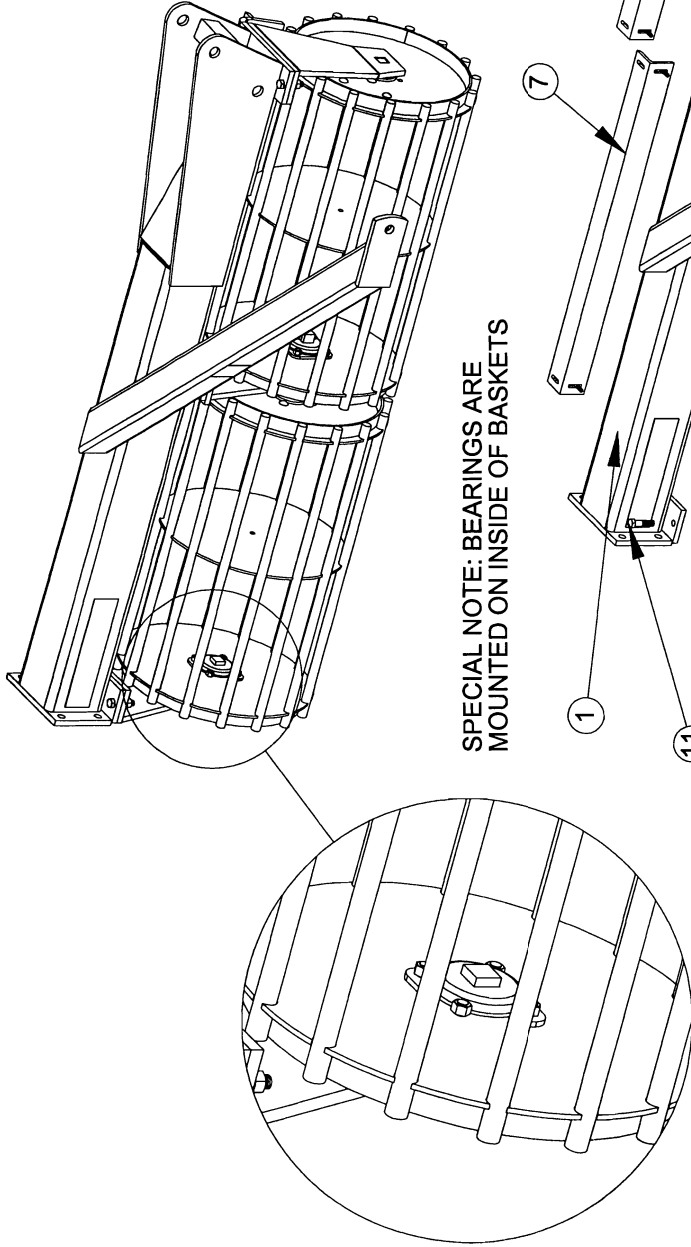
ADJUST THE BOTTOM EDGE OF THE SCRAPER 1/8" TO 1/4" OFF THE OUTER EDGE OF THE BASKETS

PREASSEMBLE THE BEARINGS TO THE BASKETS PRIOR TO ASSEMBLING THE STRUT SUPPORTS TO THE BASKETS

ITEM NO.	QTY.	PART NO.	DESCRIPTION
1	2	705022	STRUT SUPPORT SINGLE
2	4	311007	SEALED BEARING 1 1/4 SQ HOLE
3	2	705040	BASKET 56"
4	1	705010	10 FOOT (LT) INSERT
5	1	705023	STRUT SUPPORT DOUBLE
6	1	508040	SCRAPER 59 3/8"
7	1	508104	SCRAPER 56"
8	2	150443	3/8 X 2 1/2 ROLL PIN
9	6	150058	5/8 X 2 1/2 HHCS GR 2 ZC
10	6	150283	5/8 SAE FLATWASHER
11	6	150040	5/8 LOCKWASHER
12	6	150041	5/8 HEX NUT
13	6	150042	3/8 CENTERLOCK HEX NUT
14	6	150333	3/8 X 1 1/2 HHCS GR2 ZC
15	6	150269	3/8 USS FLAT WASHER
16	16	150185	1/2 X 1 CGE SCREW GR 5 ZC
17	16	150112	1/2 CENTERLOCK HEX NUT



ITEM NO.	QTY.	PART NO.	DESCRIPTION
1	1	705046	6 1/2 FOOT (RT) WING
2	2	705022	STRUT SUPPORT SINGLE
3	1	705023	STRUT SUPPORT DOUBLE
4	4	311007	SEALED BEARING 1 1/4 SQ. HOLE
5	2	705032	BASKET 37"
6	1	508102	SCRAPER 37"
7	1	508071	SCRAPER 40 3/8"
8	2	150443	3/8 X 2 1/2 ROLL PIN
9	16	150185	1/2 X 1 CGE SCREW GR 5 ZC
10	16	150112	1/2 CENTERLOCK HEX NUT
11	6	150058	5/8 X 2 1/2 HHCS GR 2 ZC
12	6	150283	5/8 SAE FLATWASHER
13	6	150040	5/8 LOCKWASHER
14	6	150041	5/8 HEX NUT
15	4	150042	3/8 CENTERLOCK HEX NUT
16	4	150333	3/8 X 1 1/2 HHCS GR2 ZC
17	4	150269	3/8 USS FLAT WASHER

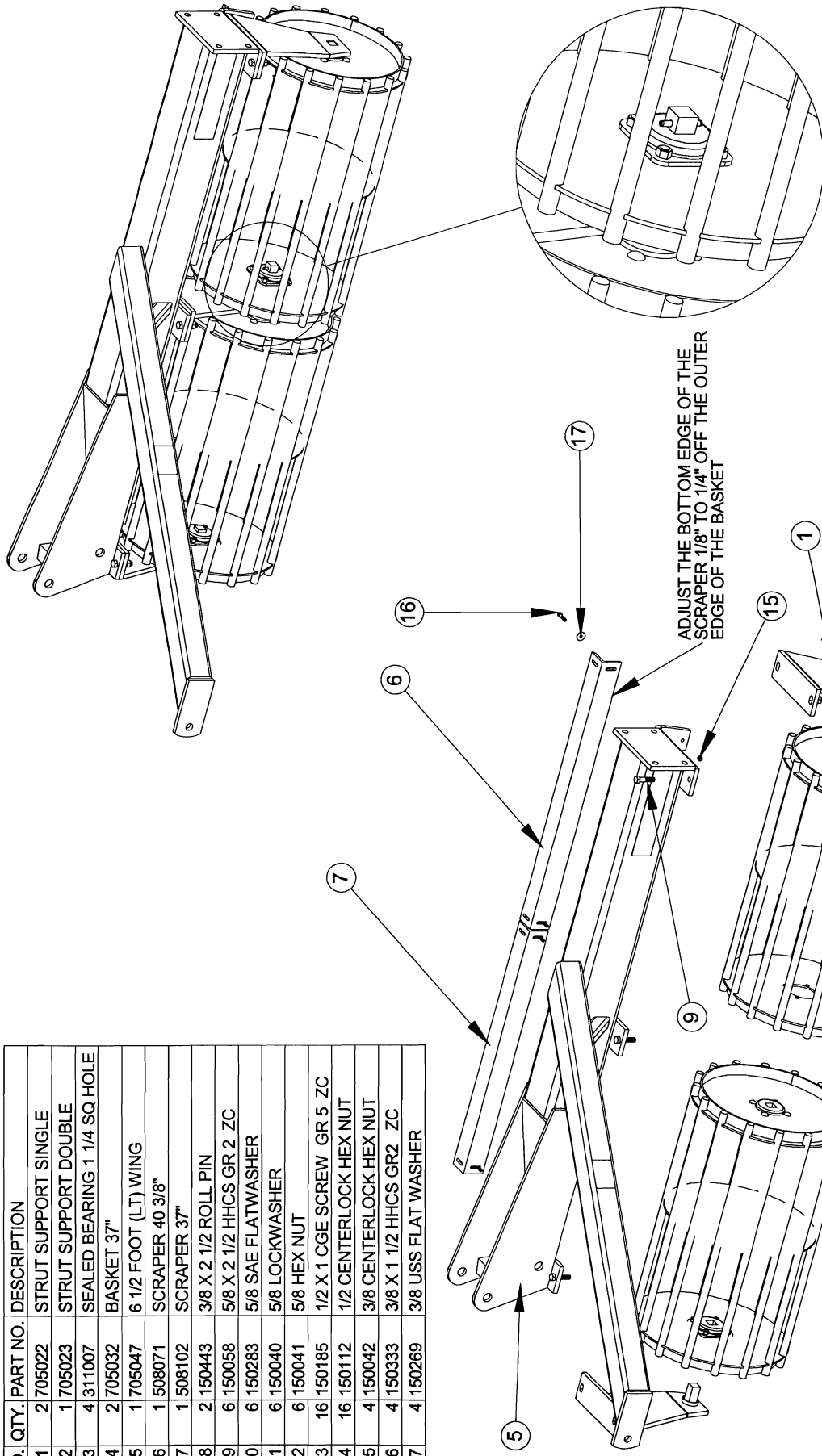


SPECIAL NOTE: BEARINGS ARE MOUNTED ON INSIDE OF BASKETS

ADJUST THE BOTTOM EDGE OF THE SCRAPER, 1/8" TO 1/4" OFF THE OUTER EDGE OF THE BASKETS

PREASSEMBLE THE BEARINGS TO THE BASKETS PRIOR TO ASSEMBLING THE STRUT SUPPORTS TO THE BASKETS.

ITEM NO.	QTY.	PART NO.	DESCRIPTION
1	2	705022	STRUT SUPPORT SINGLE
2	1	705023	STRUT SUPPORT DOUBLE
3	4	311007	SEALED BEARING 1 1/4 SQ HOLE
4	2	705032	BASKET 37"
5	1	705047	6 1/2 FOOT (LT) WING
6	1	508071	SCRAPER 40 3/8"
7	1	508102	SCRAPER 37"
8	2	150443	3/8 X 2 1/2 ROLL PIN
9	6	150058	5/8 X 2 1/2 HHCS GR 2 ZC
10	6	150283	5/8 SAE FLATWASHER
11	6	150040	5/8 LOCKWASHER
12	6	150041	5/8 HEX NUT
13	16	150185	1/2 X 1 CGE SCREW GR 5 ZC
14	16	150112	1/2 CENTERLOCK HEX NUT
15	4	150042	3/8 CENTERLOCK HEX NUT
16	4	150333	3/8 X 1 1/2 HHCS GR2 ZC
17	4	150269	3/8 USS FLAT WASHER

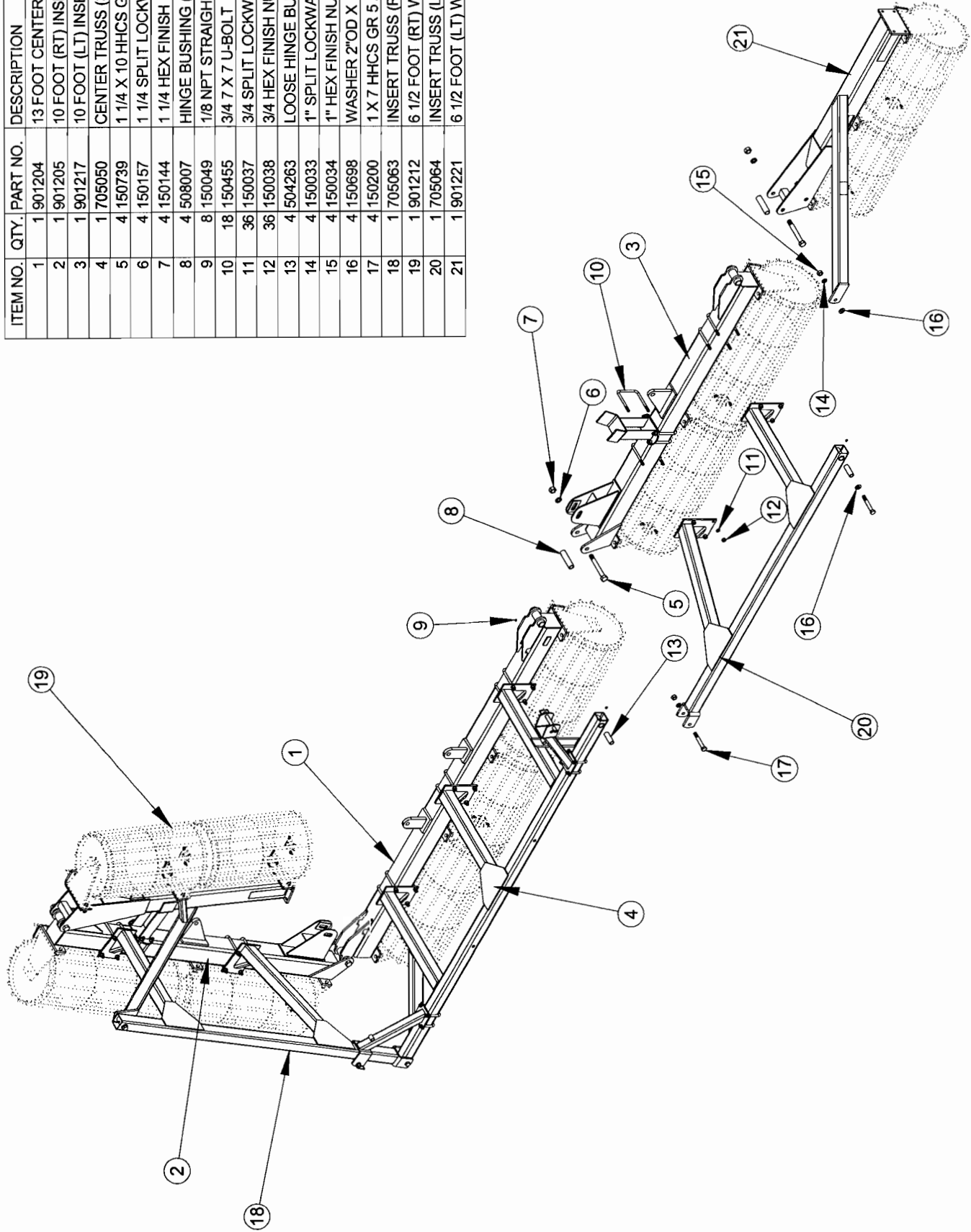


ADJUST THE BOTTOM EDGE OF THE SCRAPER 1/8" TO 1/4" OFF THE OUTER EDGE OF THE BASKET

SPECIAL NOTE: BEARINGS ARE MOUNTED ON INSIDE OF BASKETS

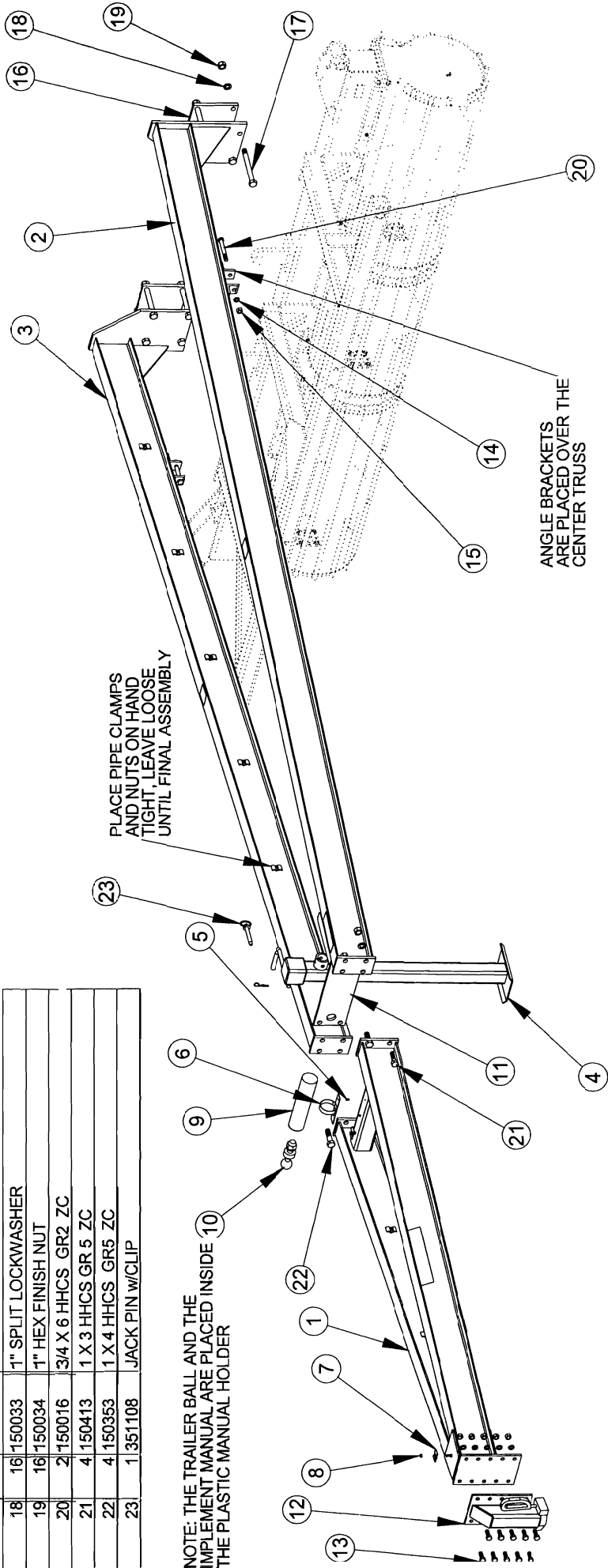
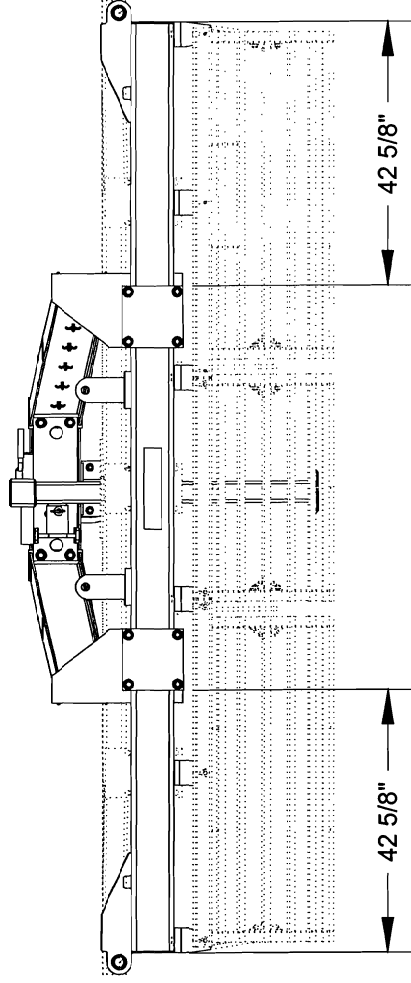
PREASSEMBLE THE BEARINGS TO THE BASKETS PRIOR TO ASSEMBLING THE STRUT SUPPORTS TO THE BASKETS

ITEM NO.	QTY.	PART NO.	DESCRIPTION
1	1	901204	13 FOOT CENTER
2	1	901205	10 FOOT (RT) INSERT
3	1	901217	10 FOOT (LT) INSERT
4	1	705050	CENTER TRUSS (34 & 42)
5	4	150739	1 1/4 X 10 HHCS GR 8 ZC
6	4	150157	1 1/4 SPLIT LOCKWASHER
7	4	150144	1 1/4 HEX FINISH NUT
8	4	508007	HINGE BUSHING (TF)
9	8	150049	1/8 NPT STRAIGHT ZERK
10	18	150455	3/4 X 7 U-BOLT
11	36	150037	3/4 SPLIT LOCKWASHER ZC
12	36	150038	3/4 HEX FINISH NUT ZC
13	4	504263	LOOSE HINGE BUSHING
14	4	150033	1" SPLIT LOCKWASHER
15	4	150034	1" HEX FINISH NUT
16	4	150698	WASHER 2"OD X 1 1/16ID GR 8 ZC
17	4	150200	1 X 7 HHCS GR 5 ZC
18	1	705063	INSERT TRUSS (RT)
19	1	901212	6 1/2 FOOT (RT) WING
20	1	705064	INSERT TRUSS (LT)
21	1	901221	6 1/2 FOOT (LT) WING

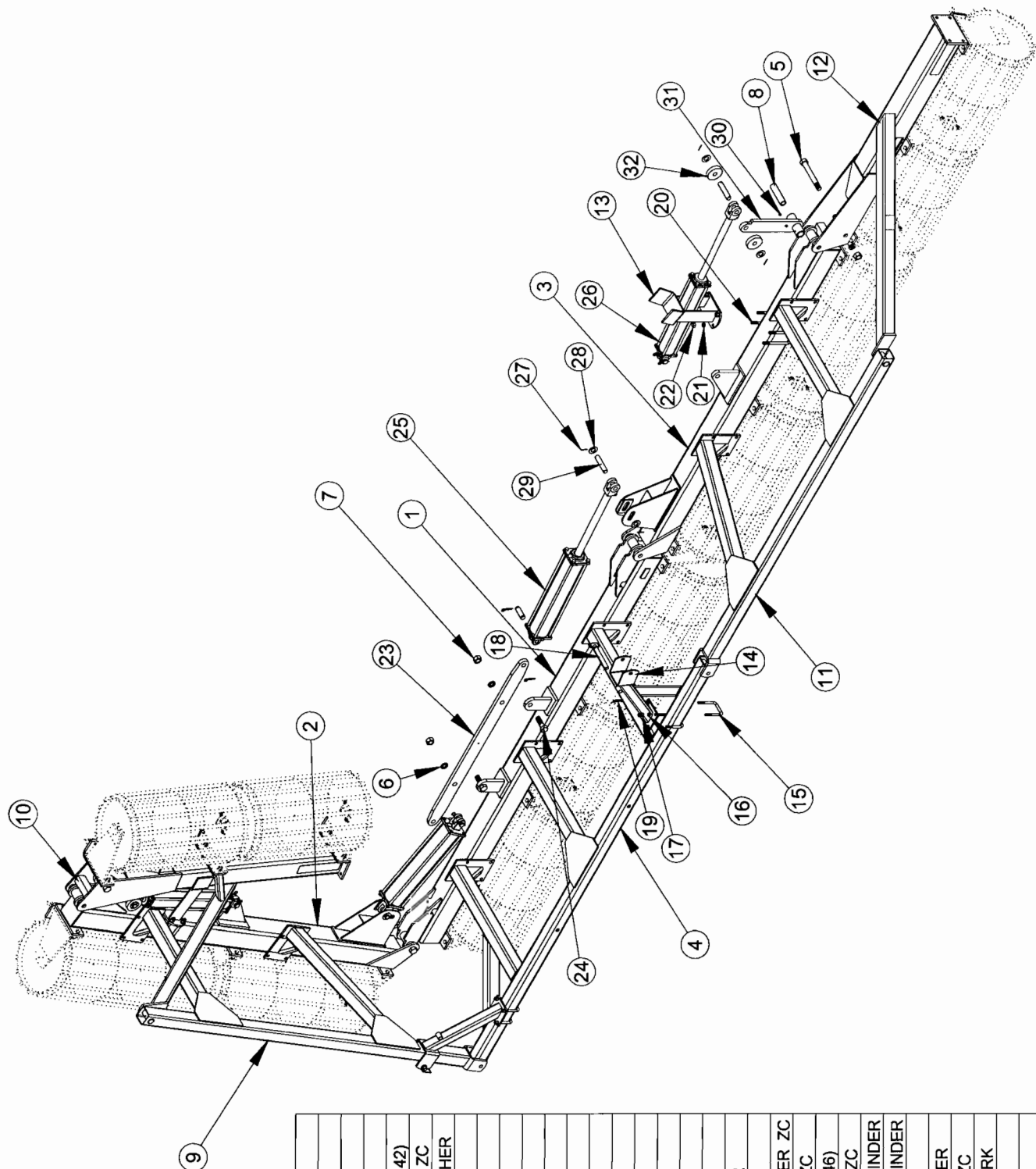


ITEM NO.	QTY.	PART NO.	DESCRIPTION
1	1	705000	STANDARD A-FRAME TONGUE
2	1	705020	20' TONGUE EXTENSION (LT)
3	1	705021	20' TONGUE EXTENSION (RT)
4	1	508095	TF IMPLEMENT JACK
5	2	150492	1/4 X 1/2 SELF-TAPPING SCREW ZC
6	1	350942	MANUAL HOLDER CLAMP
7	10	506722	PIPE CLAMP
8	10	150042	3/8 CENTERLOCK HEX NUT
9	1	350941	PLASTIC MANUAL HOLDER TUBE
10	1	300177	2 5/16" TRAILER BALL (HI-RISE) W/1 1/4" SHANK
11	1	705079	JACK SUPPORT
12	1	705026	HITCH TUBE
13	10	150656	3/4 X 2 HHCS GR 5
14	12	150037	3/4 SPLIT LOCKWASHER ZC
15	12	150038	3/4 HEX FINISH NUT ZC
16	2	508123	MOUNT PLATE
17	8	150742	1" X 10 HHCS GR5 ZC
18	16	150033	1" SPLIT LOCKWASHER
19	16	150034	1" HEX FINISH NUT
20	2	150016	3/4 X 6 HHCS GR2 ZC
21	4	150413	1 X 3 HHCS GR 5 ZC
22	4	150353	1 X 4 HHCS GR5 ZC
23	1	351108	JACK PIN w/CLIP

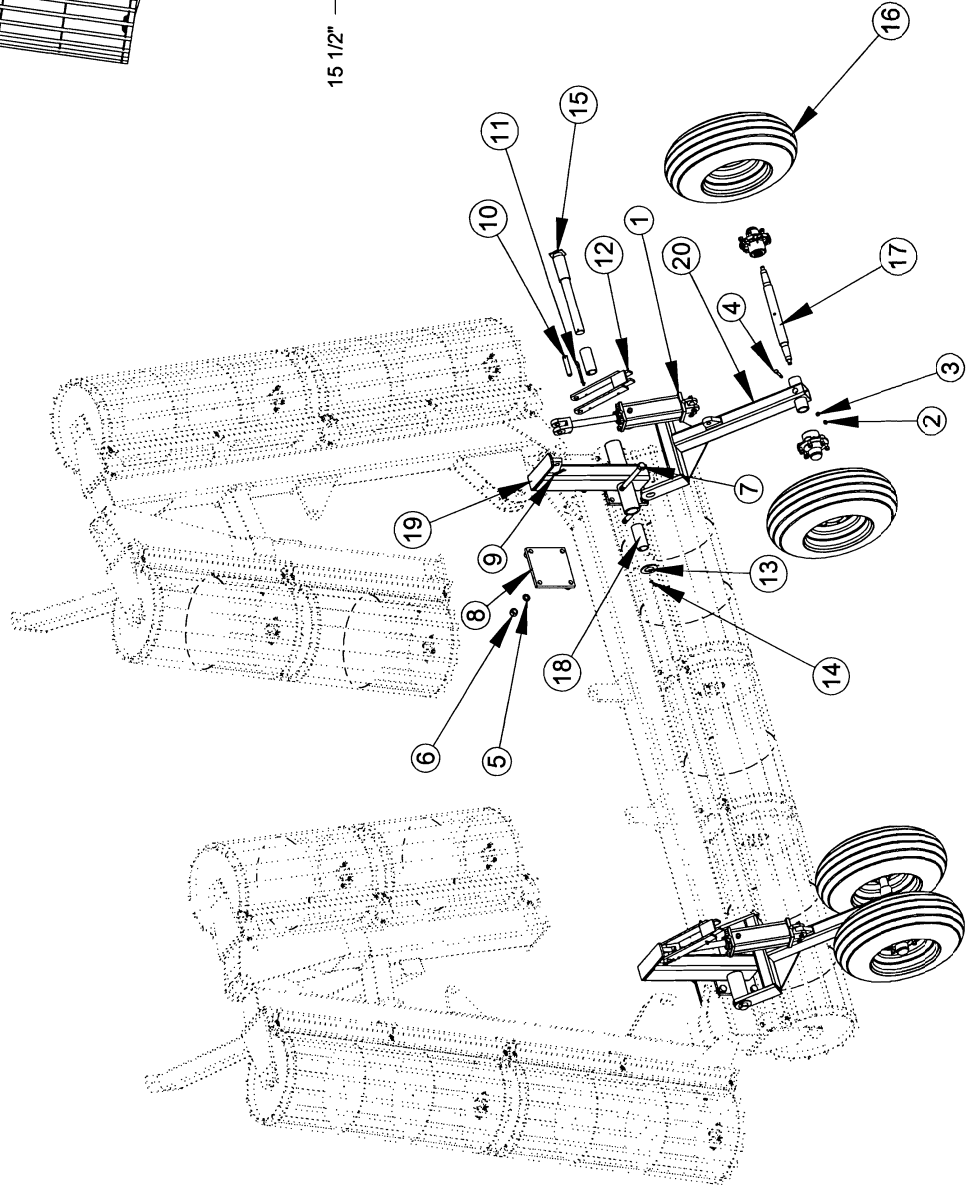
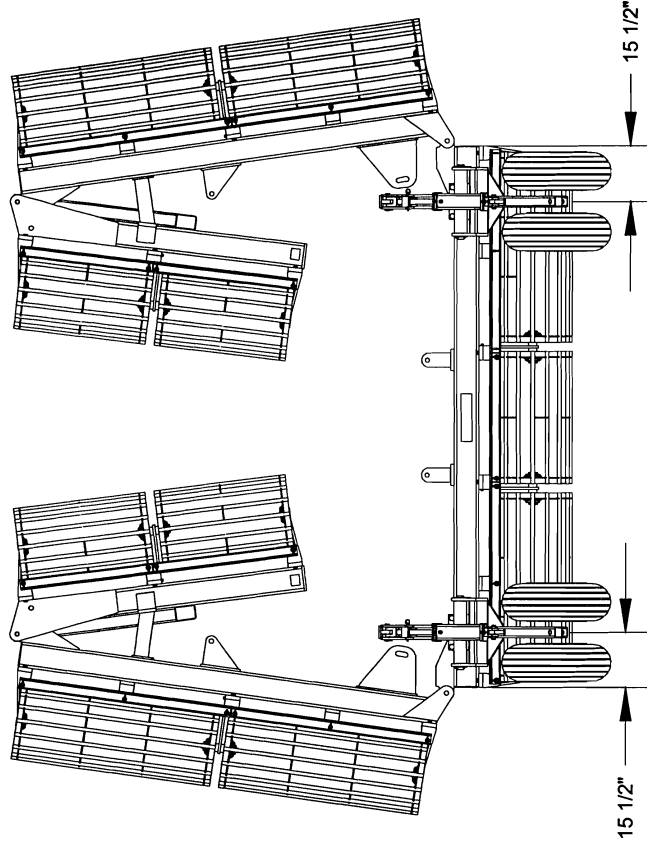
BACK VIEW



NOTE: THE TRAILER BALL AND THE IMPLEMENT MANUAL ARE PLACED INSIDE THE PLASTIC MANUAL HOLDER

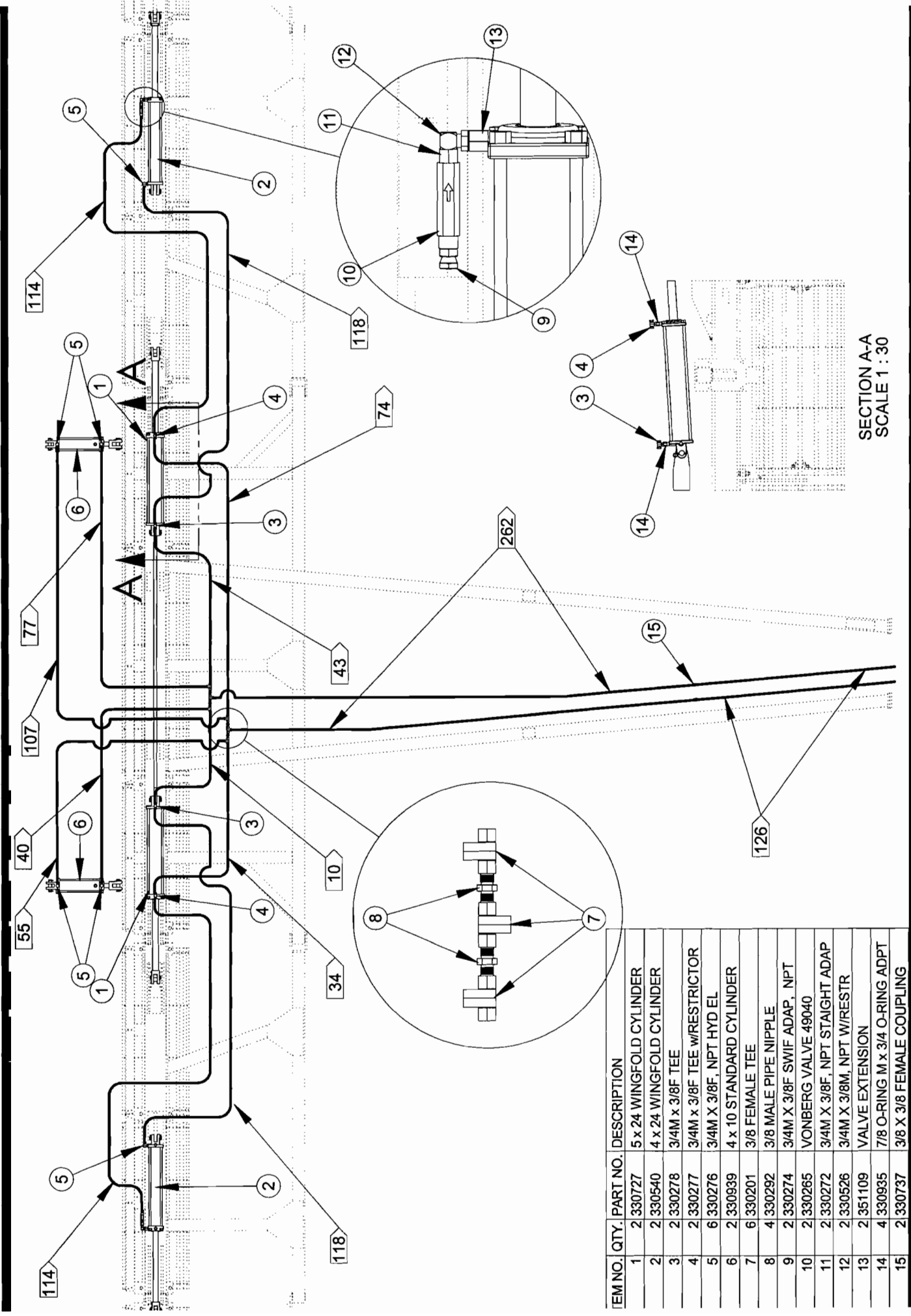


ITEM NO.	QTY.	PART NO.	DESCRIPTION
1	1	901204	13 FOOT CENTER
2	1	901205	10 FOOT (RT) INSERT
3	1	901217	10 FOOT (LT) INSERT
4	1	705050	CENTER TRUSS (34 & 42)
5	3	150739	1 1/4 X 10 HHCS GR 8 ZC
6	5	150157	1 1/4 SPLIT LOCKWASHER
7	5	150144	1 1/4 HEX FINISH NUT
8	3	508007	HINGE BUSHING (TF)
9	1	705063	INSERT TRUSS (RT)
10	1	901212	6 1/2 FOOT (RT) WING
11	1	705064	INSERT TRUSS (LT)
12	1	901221	6 1/2 FOOT (LT) WING
13	2	705005	15° WING REST
14	2	705065	WING LOCK-UP (82°)
15	4	150100	5/8 X 4 U-BOLT
16	8	150040	5/8 LOCKWASHER
17	8	150041	5/8 HEX NUT
18	2	150666	1" X 7 3/4 HITCH PIN
19	2	150047	.177 HAIRPIN COTTER
20	4	150455	3/4 X 7 U-BOLT
21	8	150037	3/4 SPLIT LOCKWASHER ZC
22	8	150038	3/4 HEX FINISH NUT ZC
23	1	508120	CYLINDER BAR (42 & 46)
24	2	150578	1 1/4 X 4 HHCS GR 5 ZC
25	2	330727	5 x 24 WINGFOLD CYLINDER
26	2	330540	4 x 24 WINGFOLD CYLINDER
27	8	150166	3/16 X 2 ROLL PIN
28	8	150172	1 1/4 SAE FLAT WASHER
29	4	350861	1-1/4 x 6 CLEVIS PIN ZC
30	4	150049	1/8 NPT STRAIGHT ZERK
31	2	705069	LINK 15° (42,46,52)
32	4	506727	ROLLER



ITEM NO.	QTY.	PART NO.	DESCRIPTION
1	2	330939	4 X 10 STANDARD CYLINDER
2	2	150031	1/2 HEX FINISH NUT
3	2	150030	1/2 SPLIT LOCKWASHER
4	2	150183	1/2 X 3 1/2 HHCS GR 5 ZC
5	8	150033	1" SPLIT LOCKWASHER
6	8	150034	1" HEX FINISH NUT
7	8	150742	1" X 10 HHCS GR5 ZC
8	2	508123	MOUNT PLATE
9	2	150047	.177 HAIRPIN COTTER
10	2	150632	1 X 4 1/2 CLEVIS PIN
11	2	350530	3/8 X 4 3/8 HITCH PIN
12	2	703535	ROAD LOCK-OUT - W.A. (WHITE)
13	2	150826	2" TYPE B NARROW FLAT WASHER
14	2	150239	1/4 X 3 COTTER PIN
15	2	705534	SHAFT
16	4	802107	11L X 15 - 8PLY TIRE ASSEMBLY
17	2	800300	6 - BOLT HUB & SPINDLE ASSY.
18	6	360587	UHMW BUSHING
19	2	705538	WHEEL TOWER SUPPORT
20	2	705535	ROCKSHAFT-DUALS

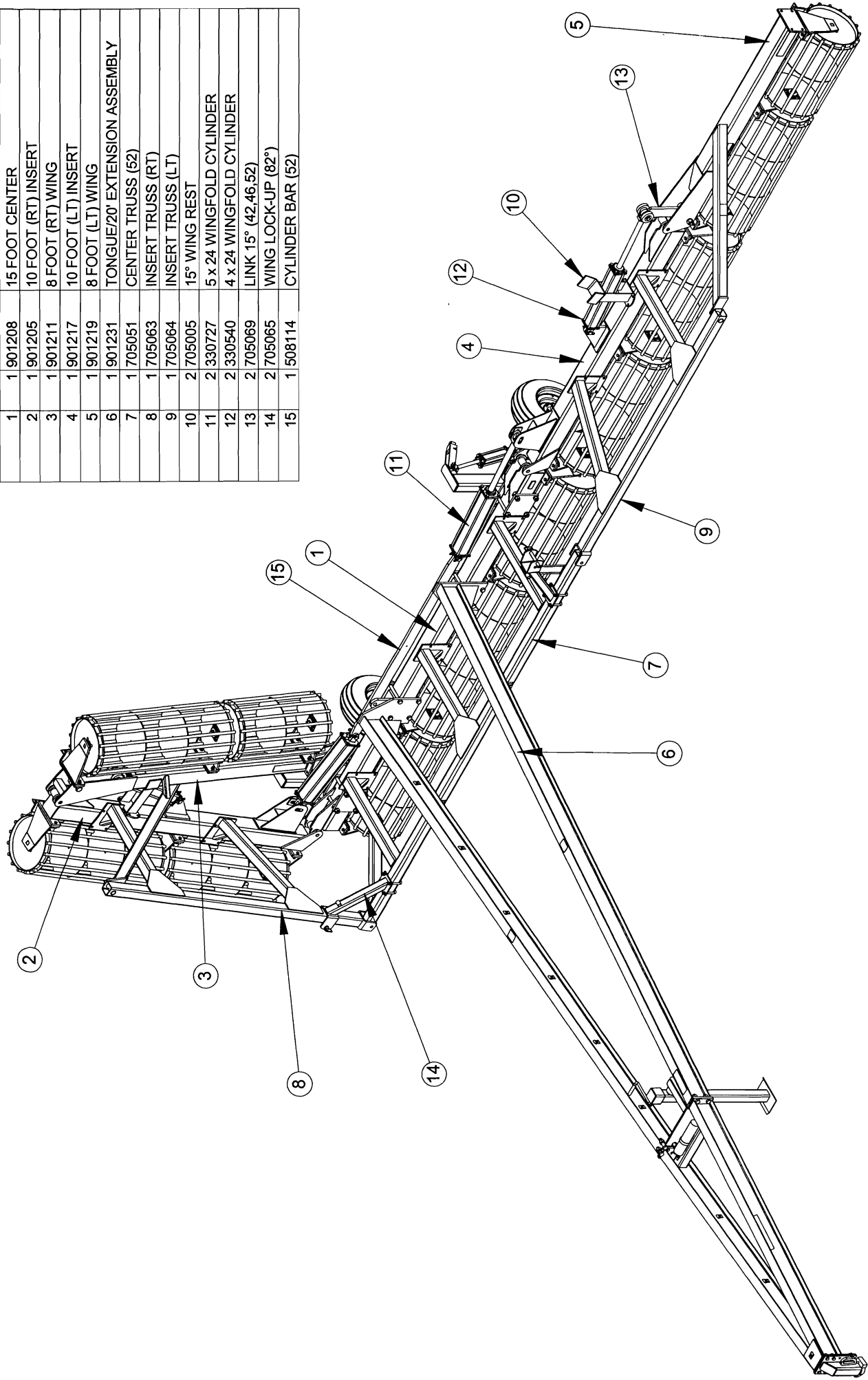




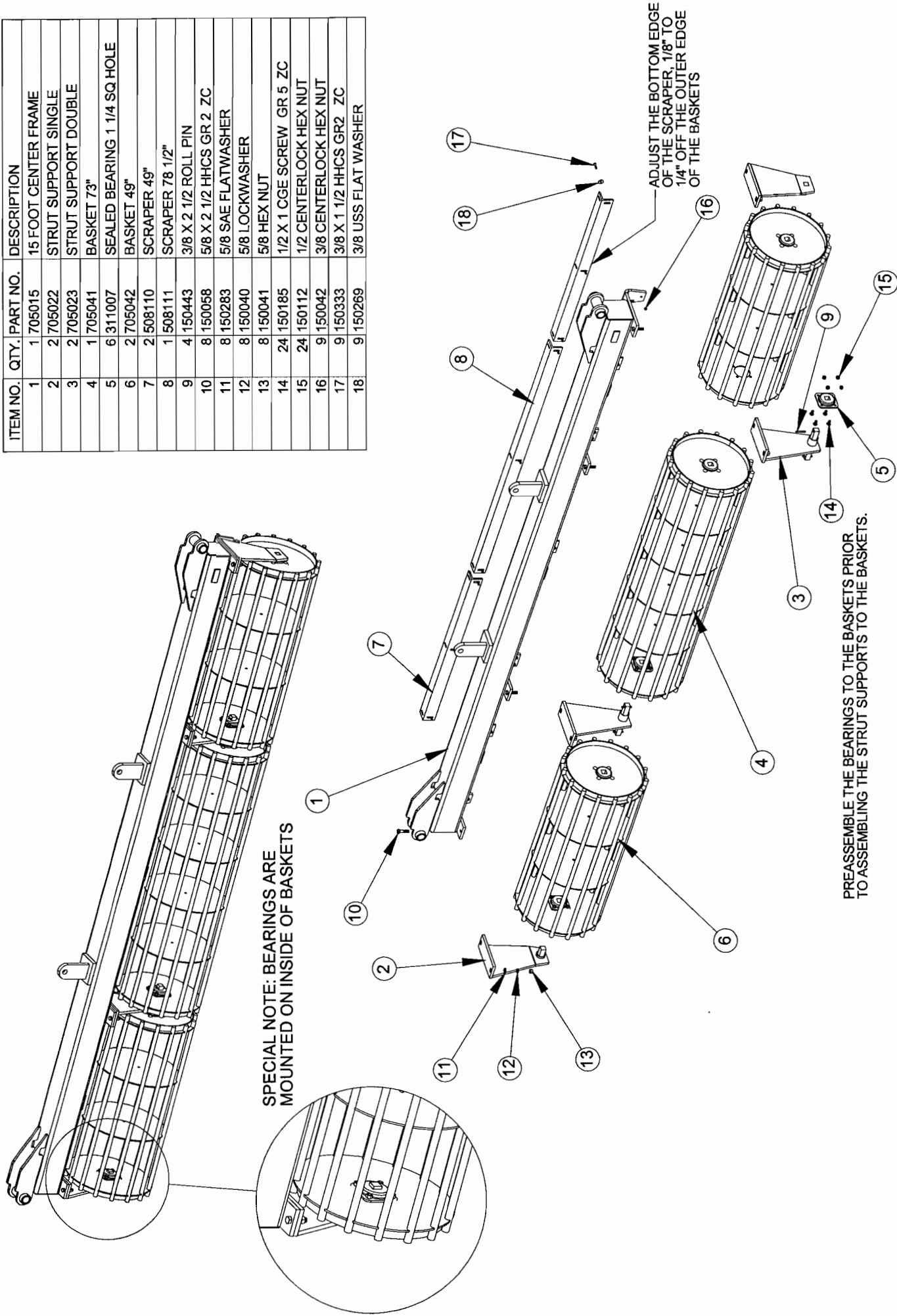
SECTION A-A  
SCALE 1 : 30

ITEM NO.	QTY.	PART NO.	DESCRIPTION
1	2	330727	5 x 24 WINGFOLD CYLINDER
2	2	330540	4 x 24 WINGFOLD CYLINDER
3	2	330278	3/4M x 3/8F TEE
4	2	330277	3/4M x 3/8F TEE w/RESTRICTOR
5	6	330276	3/4M X 3/8F, NPT HYD EL
6	2	330939	4 x 10 STANDARD CYLINDER
7	6	330201	3/8 FEMALE TEE
8	4	330292	3/8 MALE PIPE NIPPLE
9	2	330274	3/4M X 3/8F SWIF ADAP, NPT
10	2	330265	VONBERG VALVE 49040
11	2	330272	3/4M X 3/8F, NPT STAIGHT ADAP
12	2	330526	3/4M X 3/8M, NPT W/RESTR
13	2	351109	VALVE EXTENSION
14	4	330935	7/8 O-RING M x 3/4 O-RING ADPT
15	2	330737	3/8 X 3/8 FEMALE COUPLING

ITEM NO.	QTY.	PART NO.	DESCRIPTION
1	1	1901208	15 FOOT CENTER
2	1	1901205	10 FOOT (RT) INSERT
3	1	1901211	8 FOOT (RT) WING
4	1	1901217	10 FOOT (LT) INSERT
5	1	1901219	8 FOOT (LT) WING
6	1	1901231	TONGUE/20' EXTENSION ASSEMBLY
7	1	1705051	CENTER TRUSS (52)
8	1	1705063	INSERT TRUSS (RT)
9	1	1705064	INSERT TRUSS (LT)
10	2	1705005	15° WING REST
11	2	330727	5 x 24 WINGFOLD CYLINDER
12	2	330540	4 x 24 WINGFOLD CYLINDER
13	2	705069	LINK 15° (42,46,52)
14	2	705065	WING LOCK-UP (82°)
15	1	1508114	CYLINDER BAR (52)



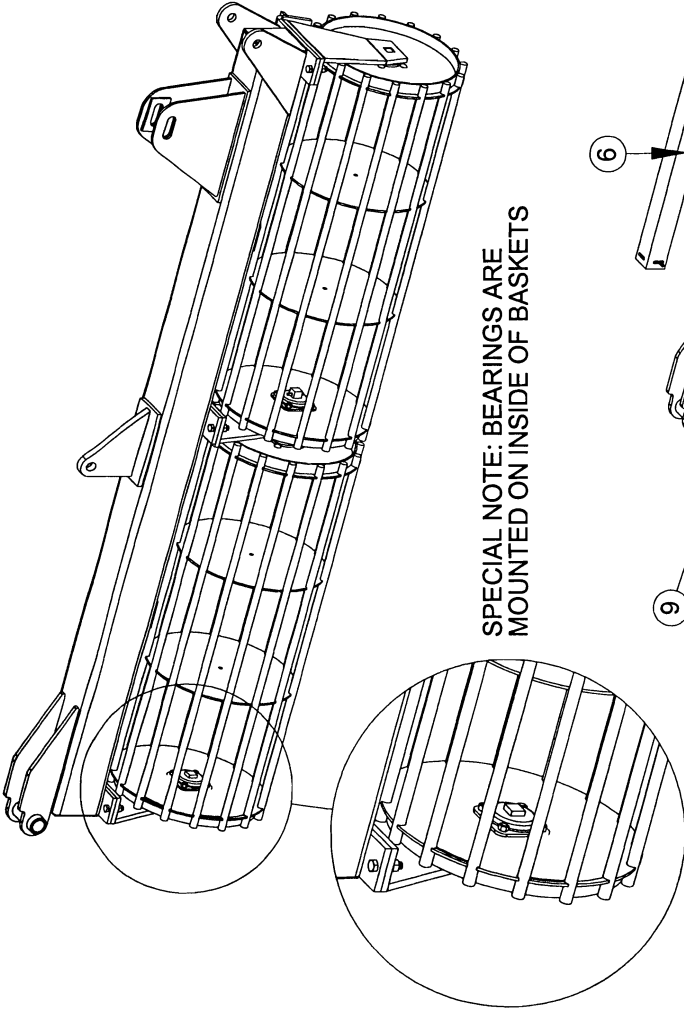
ITEM NO.	QTY.	PART NO.	DESCRIPTION
1	1	1705015	15 FOOT CENTER FRAME
2	2	705022	STRUT SUPPORT SINGLE
3	2	705023	STRUT SUPPORT DOUBLE
4	1	1705041	BASKET 73"
5	6	311007	SEALED BEARING 1 1/4 SQ HOLE
6	2	705042	BASKET 49"
7	2	508110	SCRAPER 49"
8	1	508111	SCRAPER 78 1/2"
9	4	150443	3/8 X 2 1/2 ROLL PIN
10	8	150058	5/8 X 2 1/2 HHCS GR 2 ZC
11	8	150283	5/8 SAE FLATWASHER
12	8	150040	5/8 LOCKWASHER
13	8	150041	5/8 HEX NUT
14	24	150185	1/2 X 1 CGE SCREW GR 5 ZC
15	24	150112	1/2 CENTERLOCK HEX NUT
16	9	150042	3/8 CENTERLOCK HEX NUT
17	9	150333	3/8 X 1 1/2 HHCS GR2 ZC
18	9	150269	3/8 USS FLAT WASHER



SPECIAL NOTE: BEARINGS ARE MOUNTED ON INSIDE OF BASKETS

ADJUST THE BOTTOM EDGE OF THE SCRAPER, 1/8" TO 1/4" OFF THE OUTER EDGE OF THE BASKETS

PREASSEMBLE THE BEARINGS TO THE BASKETS PRIOR TO ASSEMBLING THE STRUT SUPPORTS TO THE BASKETS.



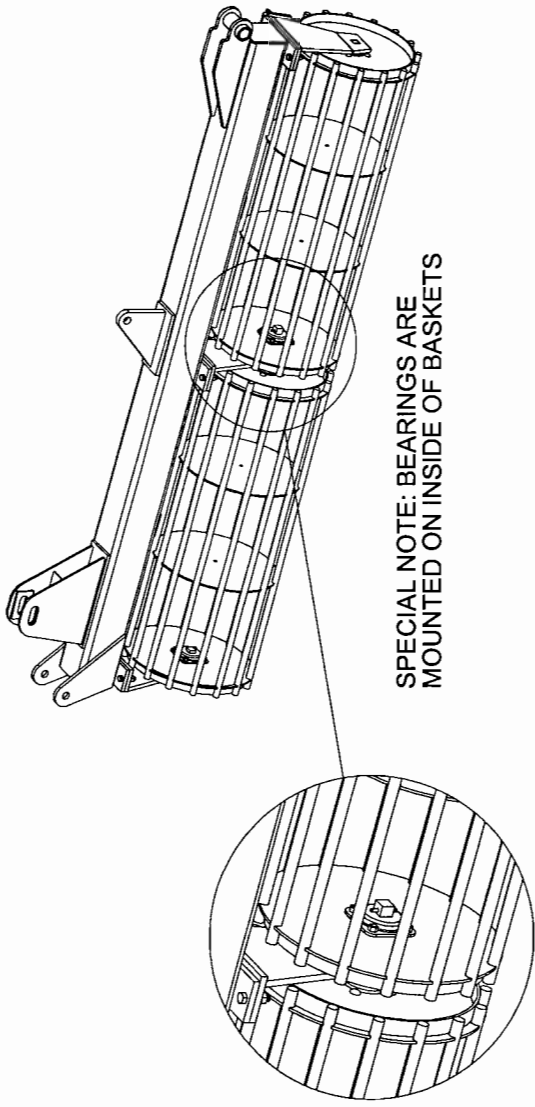
SPECIAL NOTE: BEARINGS ARE MOUNTED ON INSIDE OF BASKETS

ADJUST THE BOTTOM EDGE OF THE SCRAPER 1/8" TO 1/4" OFF THE OUTER EDGE OF THE BASKETS

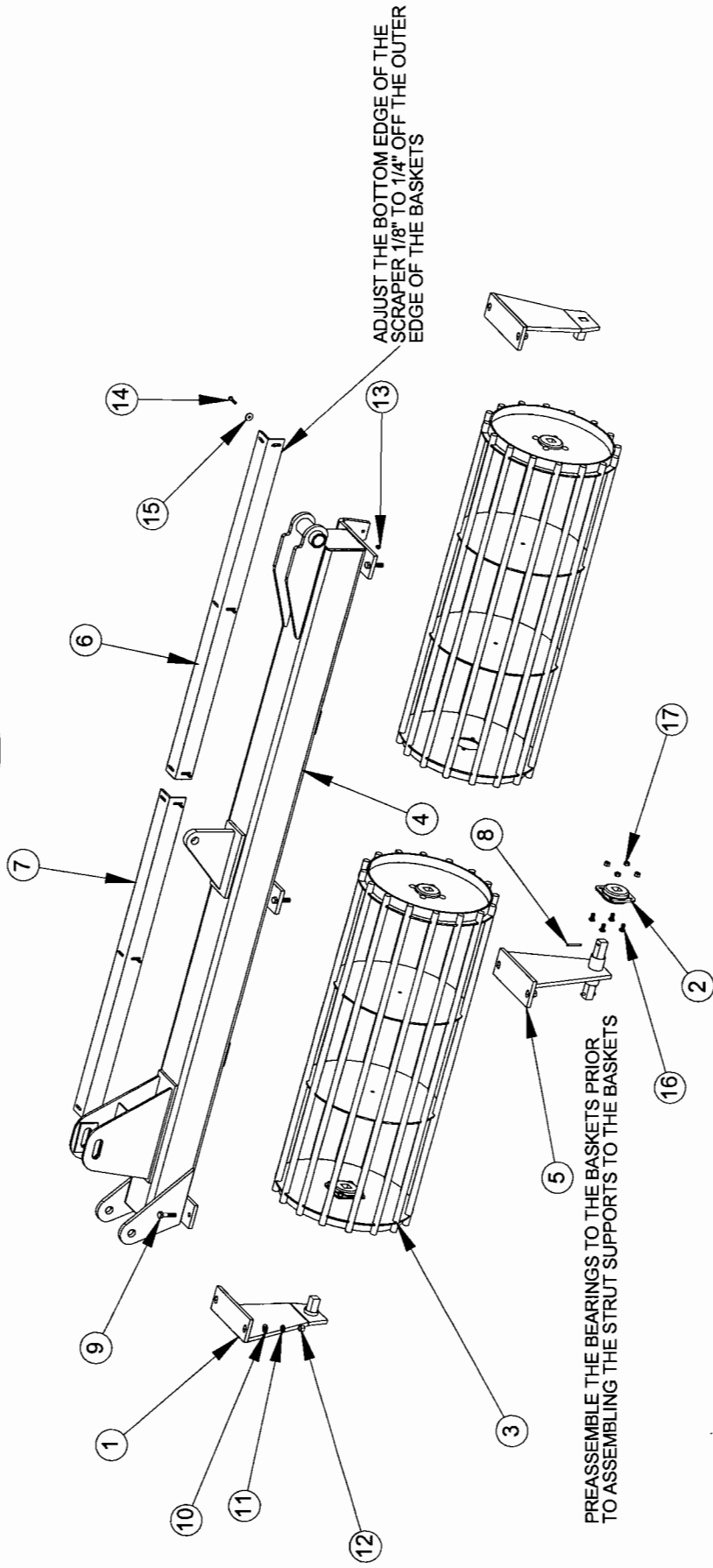
PREASSEMBLE THE BEARINGS TO THE BASKETS PRIOR TO ASSEMBLING THE STRUT SUPPORTS TO THE BASKETS

ITEM NO.	QTY.	PART NO.	DESCRIPTION
1	2	705022	STRUT SUPPORT SINGLE
2	1	705023	STRUT SUPPORT DOUBLE
3	4	311007	SEALED BEARING 1 1/4 SQ HOLE
4	1	705009	10 FOOT (RT) INSERT
5	2	705040	BASKET 56"
6	1	508040	SCRAPER 59 3/8"
7	1	508104	SCRAPER 56"
8	2	150443	3/8 X 2 1/2 ROLL PIN
9	6	150058	5/8 X 2 1/2 HHCS GR 2 ZC
10	6	150283	5/8 SAE FLATWASHER
11	6	150040	5/8 LOCKWASHER
12	6	150041	5/8 HEX NUT
13	16	150185	1/2 X 1 CGE SCREW GR 5 ZC
14	16	150112	1/2 CENTERLOCK HEX NUT
15	6	150042	3/8 CENTERLOCK HEX NUT
16	6	150333	3/8 X 1 1/2 HHCS GR2 ZC
17	6	150269	3/8 USS FLAT WASHER

ITEM NO.	QTY.	PART NO.	DESCRIPTION
1	2	705022	STRUT SUPPORT SINGLE
2	4	311007	SEALED BEARING 1 1/4 SQ HOLE
3	2	705040	BASKET 56"
4	1	705010	10 FOOT (L.T) INSERT
5	1	705023	STRUT SUPPORT DOUBLE
6	1	508040	SCRAPER 59 3/8"
7	1	508104	SCRAPER 56"
8	2	150443	3/8 X 2 1/2 ROLL PIN
9	6	150058	5/8 X 2 1/2 HHCS GR 2 ZC
10	6	150283	5/8 SAE FLATWASHER
11	6	150040	5/8 LOCKWASHER
12	6	150041	5/8 HEX NUT
13	6	150042	3/8 CENTERLOCK HEX NUT
14	6	150333	3/8 X 1 1/2 HHCS GR2 ZC
15	6	150269	3/8 USS FLAT WASHER
16	16	150185	1/2 X 1 CGE SCREW GR 5 ZC
17	16	150112	1/2 CENTERLOCK HEX NUT

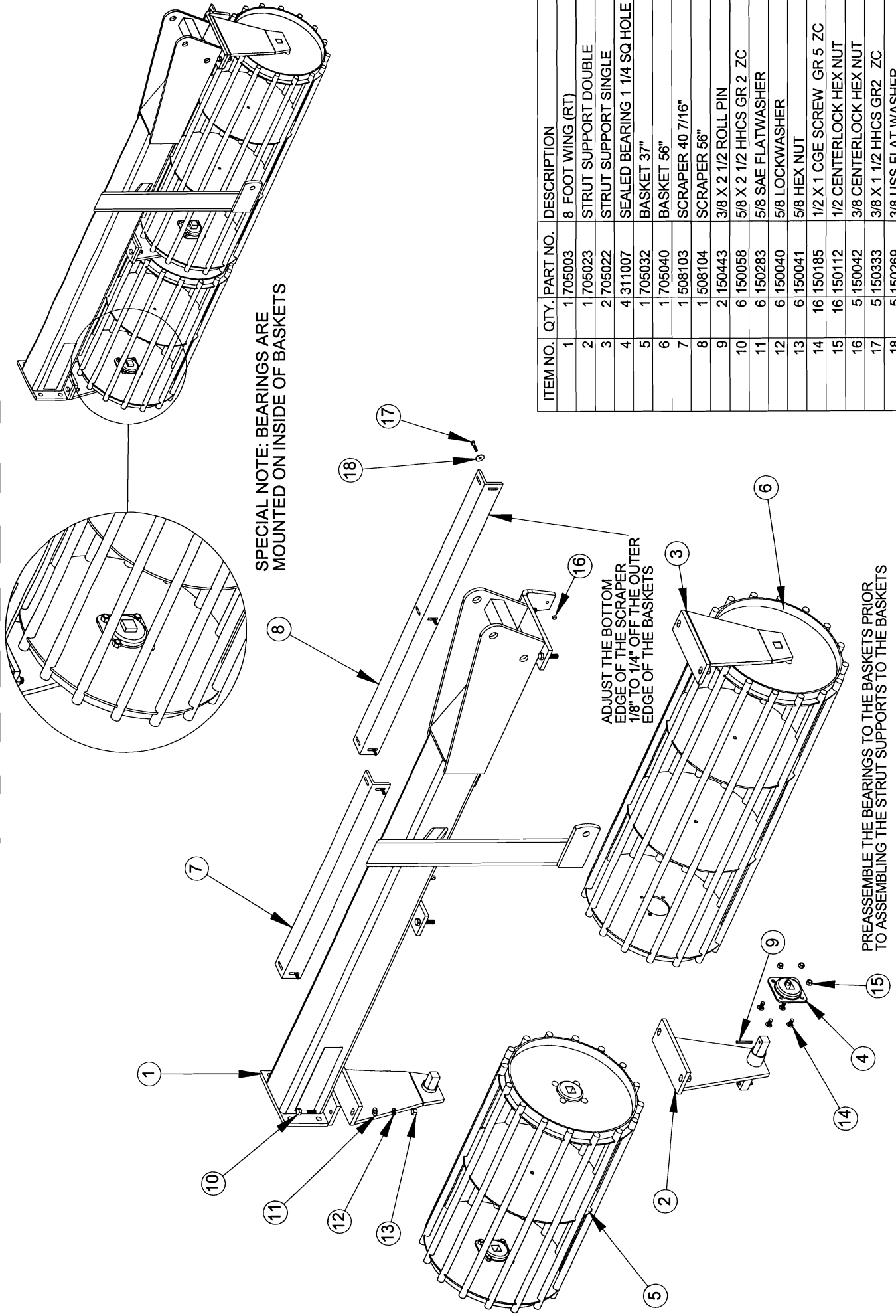


SPECIAL NOTE: BEARINGS ARE MOUNTED ON INSIDE OF BASKETS



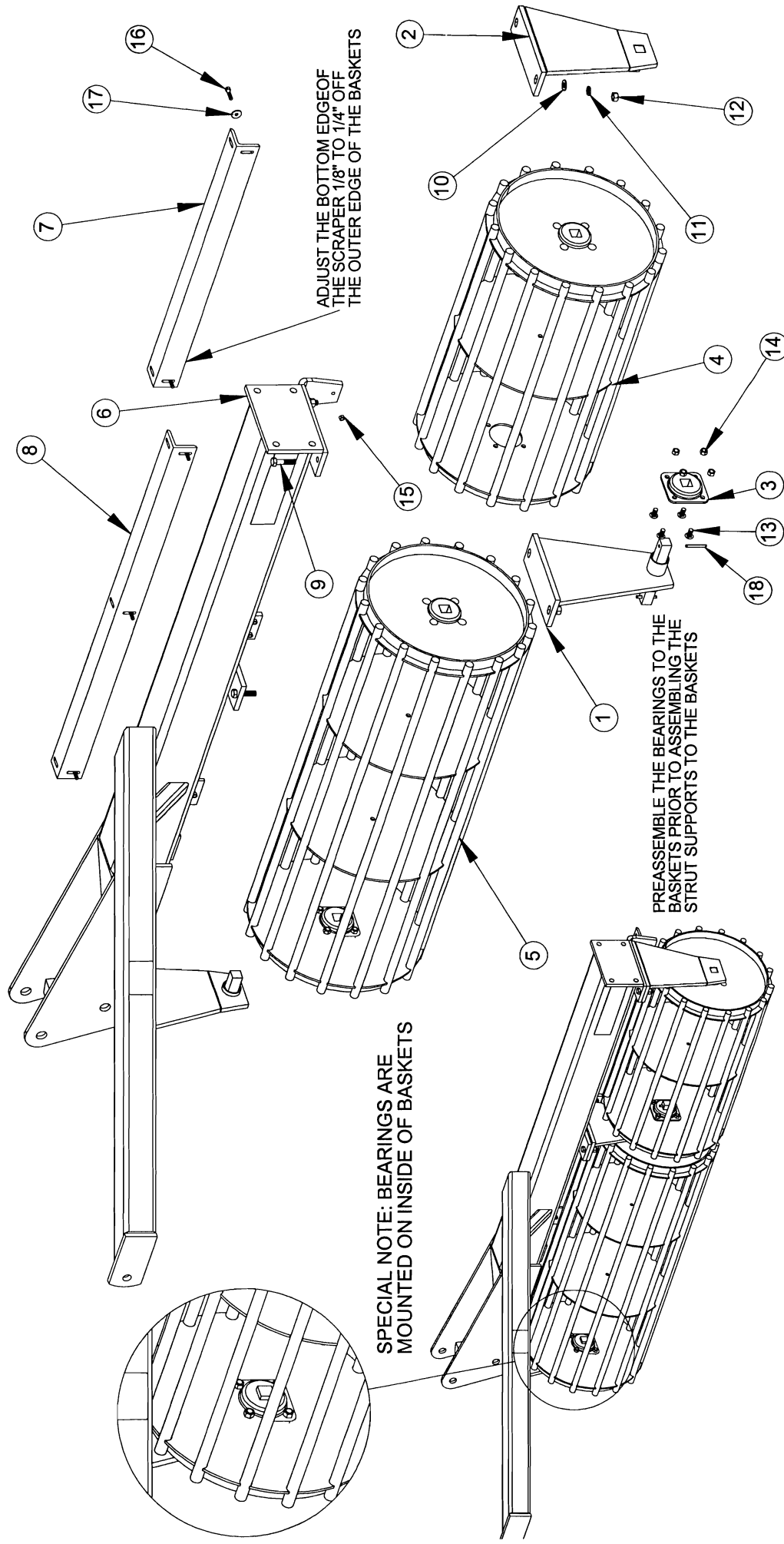
PREASSEMBLE THE BEARINGS TO THE BASKETS PRIOR TO ASSEMBLING THE STRUT SUPPORTS TO THE BASKETS

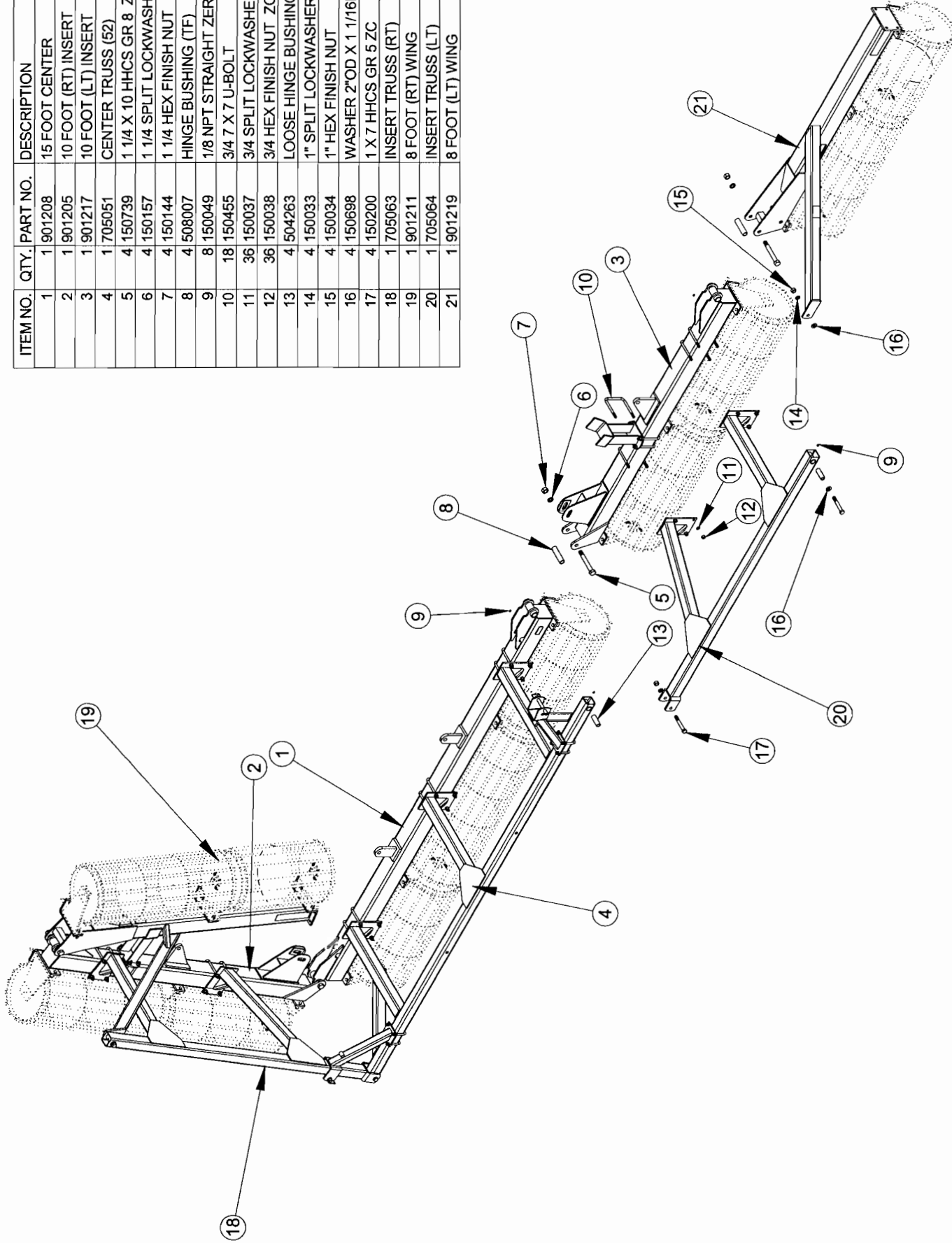
ADJUST THE BOTTOM EDGE OF THE SCRAPER 1/8" TO 1/4" OFF THE OUTER EDGE OF THE BASKETS



ITEM NO.	QTY.	PART NO.	DESCRIPTION
1	1	1705003	8 FOOT WING (RT)
2	1	1705023	STRUT SUPPORT DOUBLE
3	2	1705022	STRUT SUPPORT SINGLE
4	4	4311007	SEALED BEARING 1 1/4 SQ HOLE
5	1	1705032	BASKET 37"
6	1	1705040	BASKET 56"
7	1	1508103	SCRAPER 40 7/16"
8	1	1508104	SCRAPER 56"
9	2	150443	3/8 X 2 1/2 ROLL PIN
10	6	150058	5/8 X 2 1/2 HHCS GR 2 ZC
11	6	150283	5/8 SAE FLATWASHER
12	6	150040	5/8 LOCKWASHER
13	6	150041	5/8 HEX NUT
14	16	150185	1/2 X 1 CGE SCREW GR 5 ZC
15	16	150112	1/2 CENTERLOCK HEX NUT
16	5	150042	3/8 CENTERLOCK HEX NUT
17	5	150333	3/8 X 1 1/2 HHCS GR 2 ZC
18	5	150269	3/8 USS FLAT WASHER

ITEM NO.	QTY.	PART NO.	DESCRIPTION	ITEM NO.	QTY.	PART NO.	DESCRIPTION
1	1	705023	STRUT SUPPORT DOUBLE	11	6	150040	5/8 LOCKWASHER
2	2	705022	STRUT SUPPORT SINGLE	12	6	150041	5/8 HEX NUT
3	4	311007	SEALED BEARING 1 1/4 SQ HOLE	13	16	150185	1/2 X 1 CGE SCREW GR 5 ZC
4	1	705032	BASKET 37"	14	16	150112	1/2 CENTERLOCK HEX NUT
5	1	705040	BASKET 56"	15	5	150042	3/8 CENTERLOCK HEX NUT
6	1	705004	8 FOOT WING (LT)	16	5	150333	3/8 X 1 1/2 HHCS GR2 ZC
7	1	508103	SCRAPER 40 7/16"	17	5	150269	3/8 USS FLAT WASHER
8	1	508104	SCRAPER 56"	18	2	150443	3/8 X 2 1/2 ROLL PIN
9	6	150058	5/8 X 2 1/2 HHCS GR 2 ZC				
10	6	150283	5/8 SAE FLATWASHER				



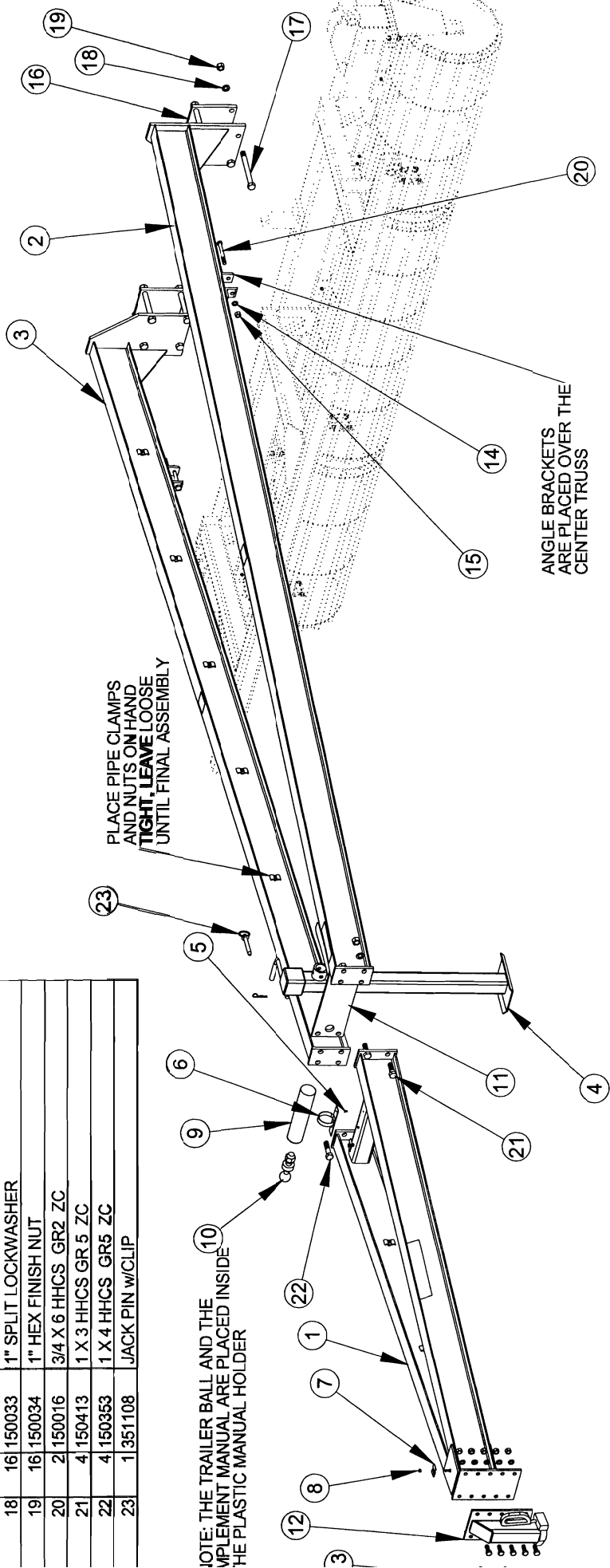
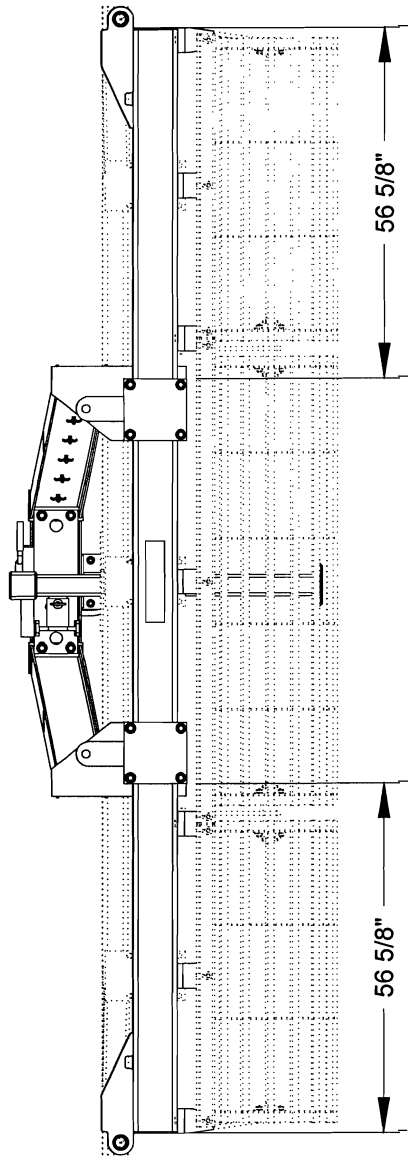


ITEM NO.	QTY.	PART NO.	DESCRIPTION
1	1	901208	15 FOOT CENTER
2	1	901205	10 FOOT (RT) INSERT
3	1	901217	10 FOOT (LT) INSERT
4	1	705051	CENTER TRUSS (52)
5	4	150739	1 1/4 X 10 HHCS GR 8 ZC
6	4	150157	1 1/4 SPLIT LOCKWASHER
7	4	150144	1 1/4 HEX FINISH NUT
8	4	508007	HINGE BUSHING (TF)
9	8	150049	1/8 NPT STRAIGHT ZERK
10	18	150455	3/4 X 7 U-BOLT
11	36	150037	3/4 SPLIT LOCKWASHER ZC
12	36	150038	3/4 HEX FINISH NUT ZC
13	4	504263	LOOSE HINGE BUSHING
14	4	150033	1" SPLIT LOCKWASHER
15	4	150034	1" HEX FINISH NUT
16	4	150698	WASHER 2"OD X 1 1/16ID GR 8 ZC
17	4	150200	1 X 7 HHCS GR 5 ZC
18	1	705063	INSERT TRUSS (RT)
19	1	901211	8 FOOT (RT) WING
20	1	705064	INSERT TRUSS (LT)
21	1	901219	8 FOOT (LT) WING

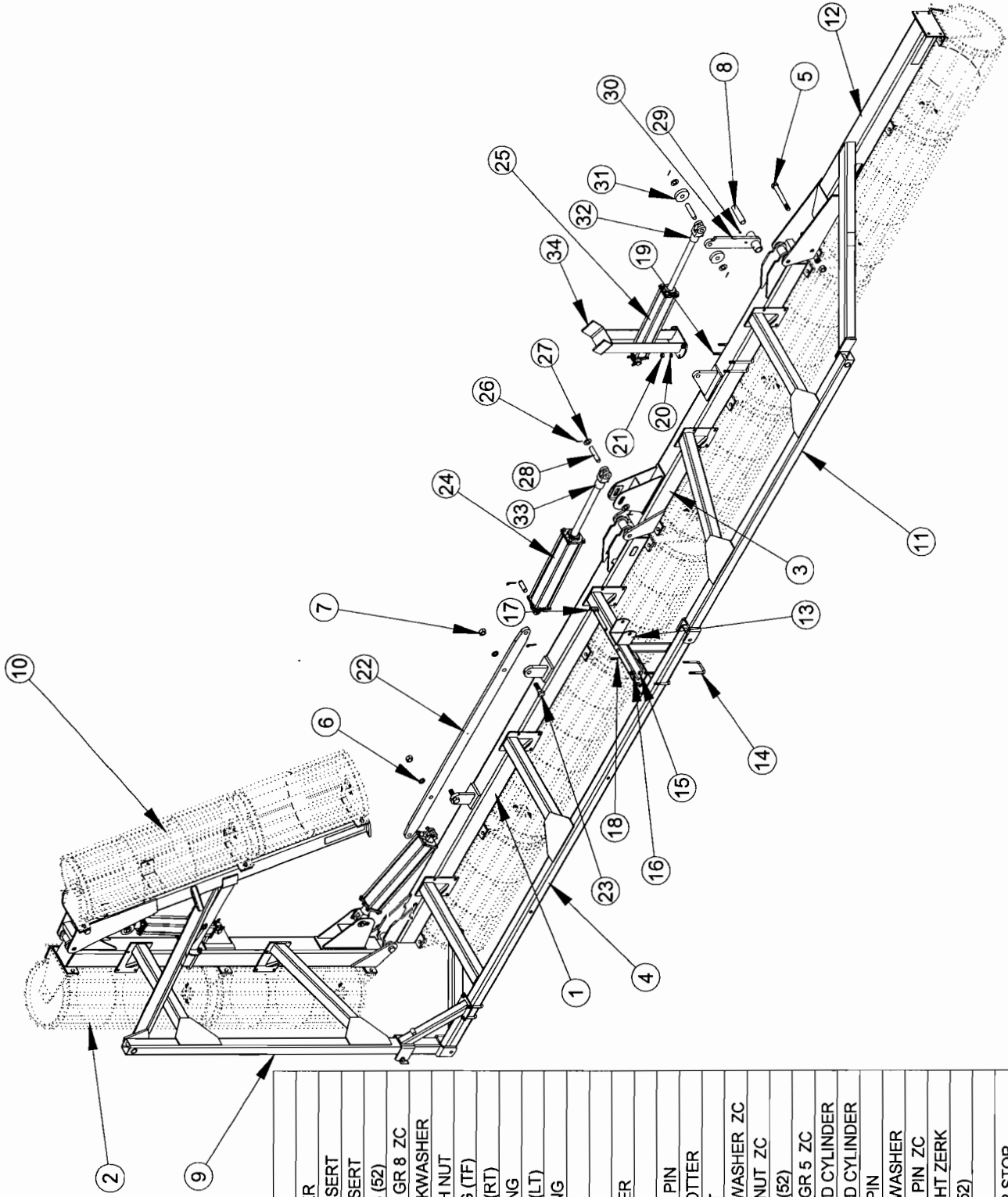


ITEM NO.	QTY.	PART NO.	DESCRIPTION
1	1	1705000	STANDARD A-FRAME TONGUE
2	1	1705020	20" TONGUE EXTENSION (LT)
3	1	1705021	20" TONGUE EXTENSION (RT)
4	1	1508095	TF IMPLEMENT JACK
5	2	150492	1/4 X 1/2 SELF-TAPPING SCREW_ZC
6	1	1350942	MANUAL HOLDER CLAMP
7	10	506722	PIPE CLAMP
8	10	150042	3/8 CENTERLOCK HEX NUT
9	1	1350941	PLASTIC MANUAL HOLDER TUBE
10	1	1300177	2.5/16" TRAILER BALL (HI-RISE) W/1 1/4" SHANK
11	1	1705079	JACK SUPPORT
12	1	1705026	HITCH TUBE
13	10	150656	3/4 X 2 HHCS GR 5
14	12	150037	3/4 SPLIT LOCKWASHER_ZC
15	12	150038	3/4 HEX FINISH NUT_ZC
16	2	508123	MOUNT PLATE
17	8	150742	1" X 10 HHCS GR5_ZC
18	16	150033	1" SPLIT LOCKWASHER
19	16	150034	1" HEX FINISH NUT
20	2	150016	3/4 X 6 HHCS GR2_ZC
21	4	150413	1 X 3 HHCS GR 5_ZC
22	4	150353	1 X 4 HHCS GR5_ZC
23	1	1351108	JACK PIN w/CLIP

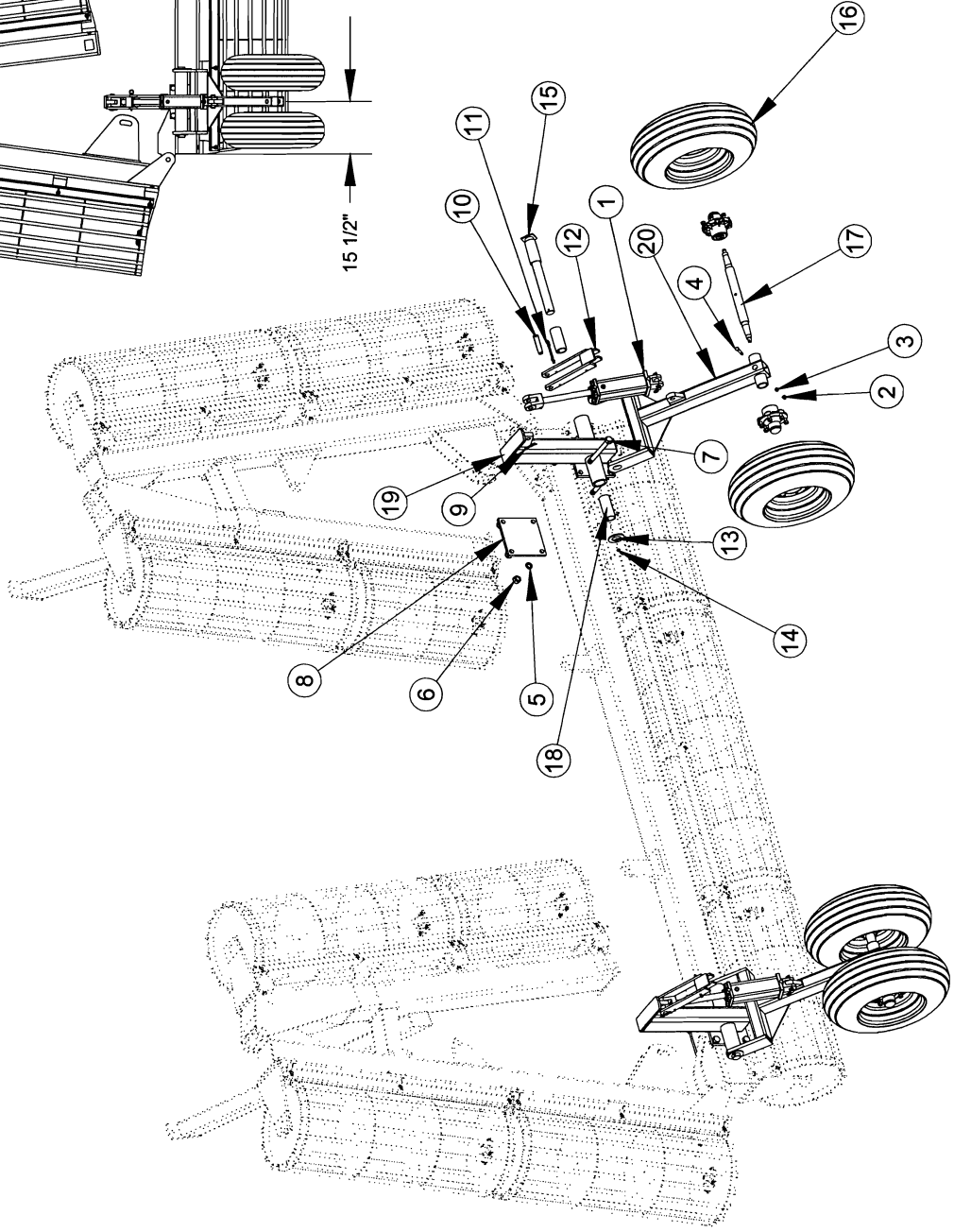
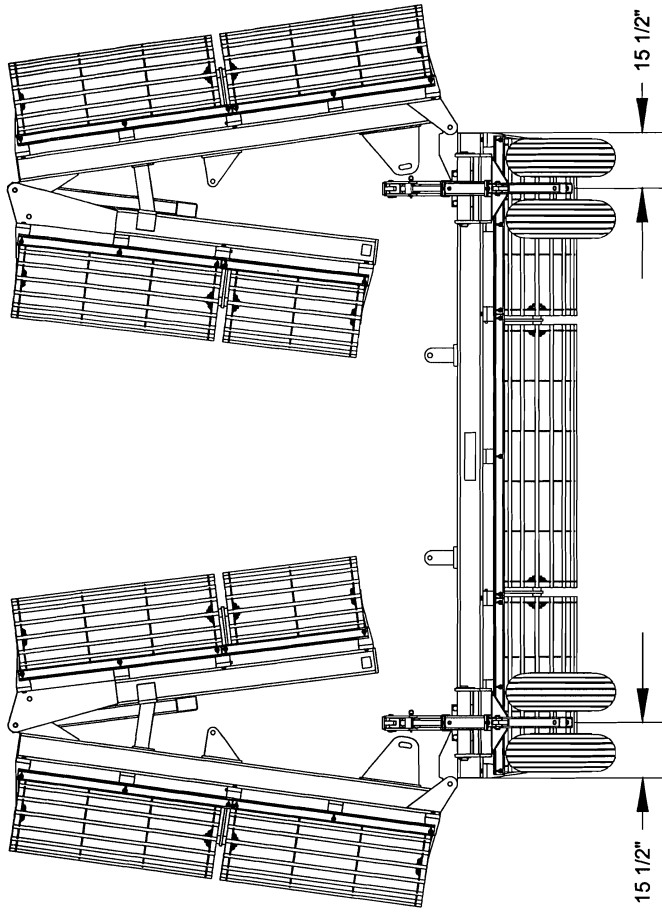
BACK VIEW



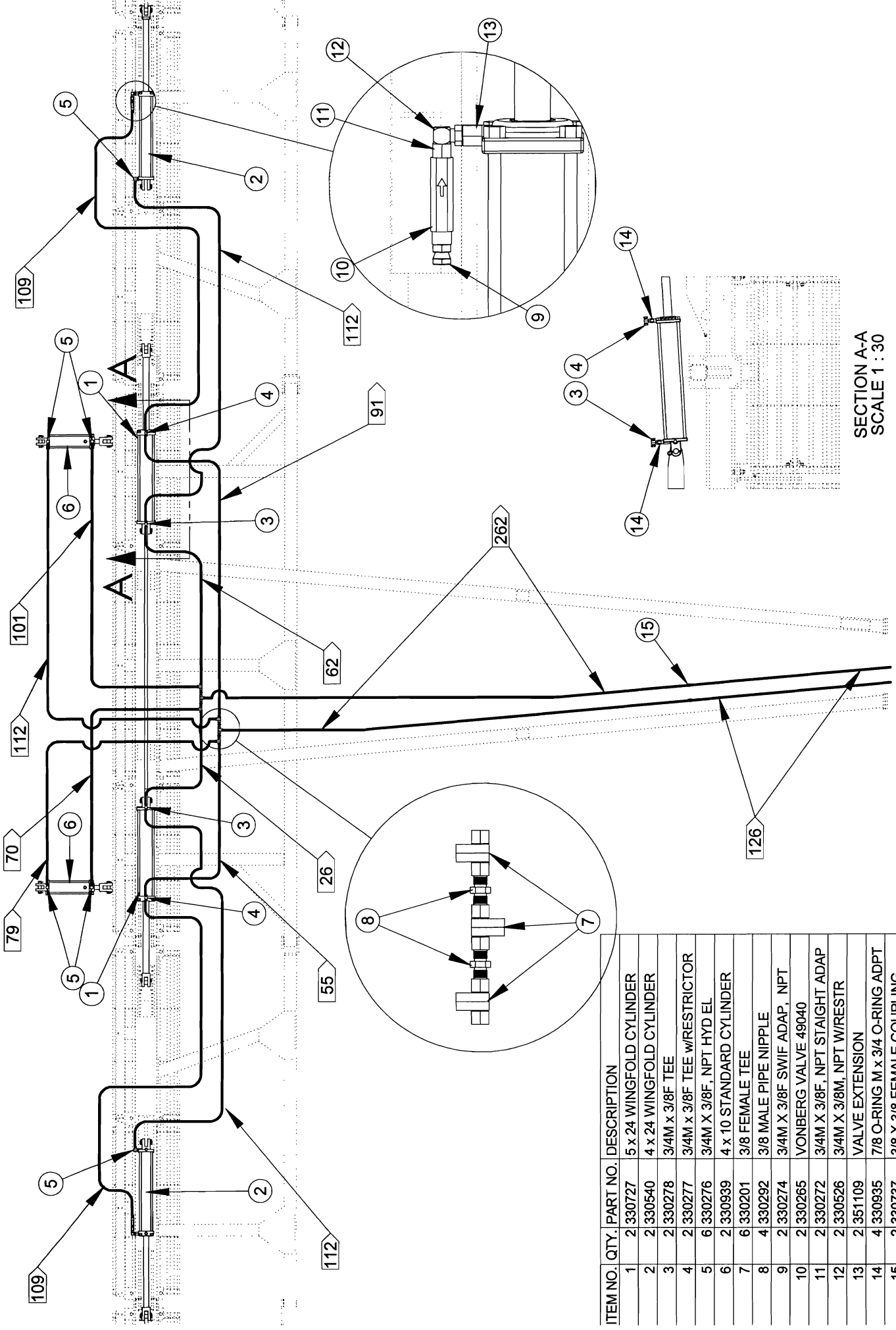
NOTE: THE TRAILER BALL AND THE IMPLEMENT MANUAL ARE PLACED INSIDE THE PLASTIC MANUAL HOLDER



ITEM NO.	QTY.	PART NO.	DESCRIPTION
1	1	1901208	15 FOOT CENTER
2	1	1901205	10 FOOT (RT) INSERT
3	1	1901217	10 FOOT (LT) INSERT
4	1	705051	CENTER TRUSS (52)
5	3	150739	1 1/4 X 10 HHCS GR 8 ZC
6	5	150157	1 1/4 SPLIT LOCKWASHER
7	5	150144	1 1/4 HEX FINISH NUT
8	3	508007	HINGE BUSHING (TF)
9	1	705063	INSERT TRUSS (RT)
10	1	1901211	8 FOOT (RT) WING
11	1	705064	INSERT TRUSS (LT)
12	1	1901219	8 FOOT (LT) WING
13	2	705591	WING LOCK-UP
14	4	150100	5/8 X 4 U-BOLT
15	8	150040	5/8 LOCKWASHER
16	8	150041	5/8 HEX NUT
17	2	150666	1" X 7 3/4 HITCH PIN
18	2	150047	.177 HAIRPIN COTTER
19	4	150455	3/4 X 7 U-BOLT
20	8	150037	3/4 SPLIT LOCKWASHER ZC
21	8	150038	3/4 HEX FINISH NUT ZC
22	1	1508114	CYLINDER BAR (52)
23	2	150578	1 1/4 X 4 HHCS GR 5 ZC
24	2	330727	5 X 24 WINGFOLD CYLINDER
25	2	330540	4 X 24 WINGFOLD CYLINDER
26	8	150166	3/16 X 2 ROLL PIN
27	8	150172	1 1/4 SAE FLAT WASHER
28	4	350861	1-1/4 X 6 CLEVIS PIN ZC
29	4	150049	1/8 NPT STRAIGHT ZERK
30	2	705069	LINK 15° (42.46.52)
31	4	506727	ROLLER
32	2	705673	2-1/2" CYLINDER STOP
33	2	705674	2-3/4" CYLINDER STOP
34	2	705592	WING REST



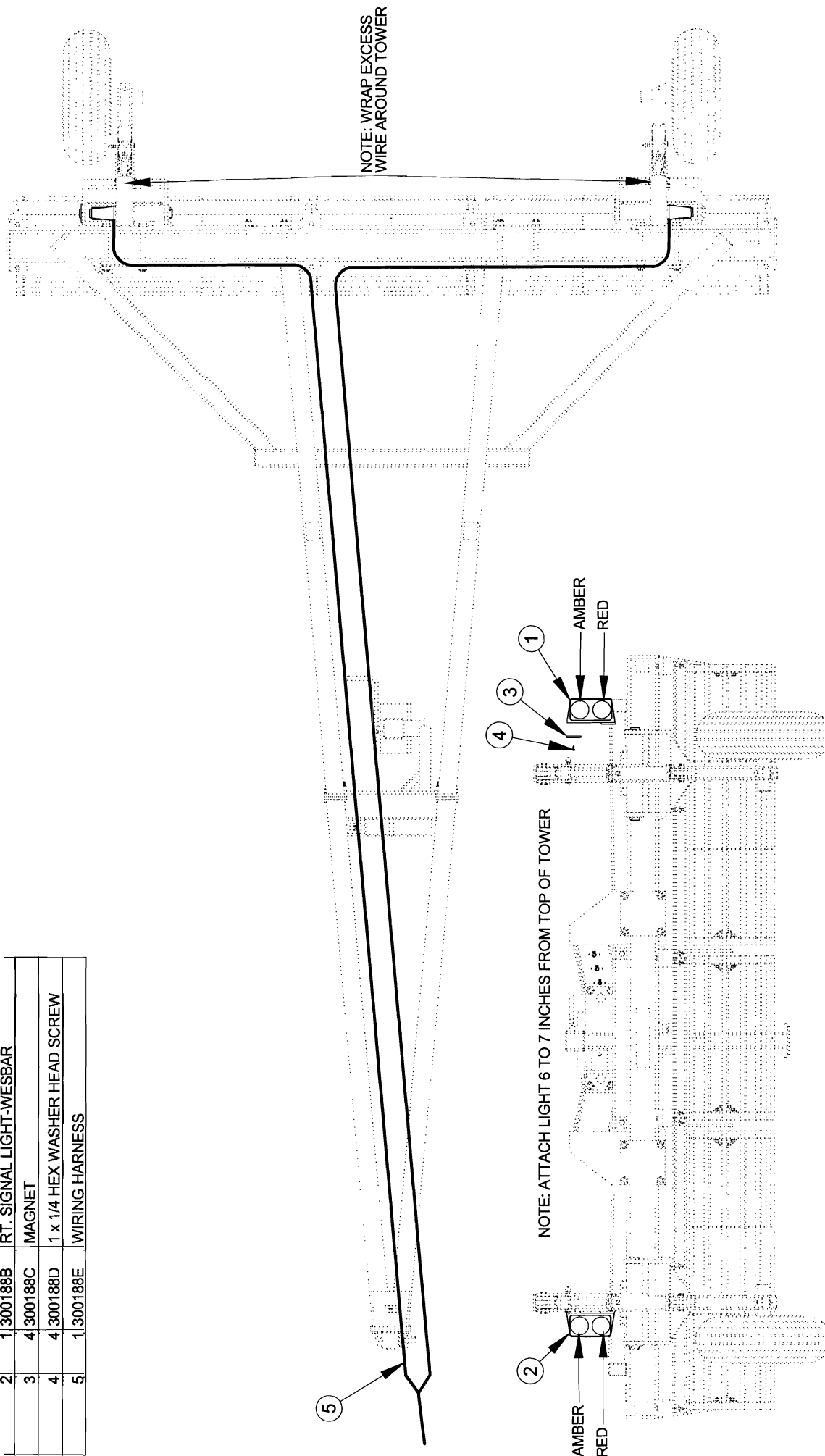
ITEM NO.	QTY.	PART NO.	DESCRIPTION
1	2	330938	3-1/2 x 10 STANDARD CYLINDER
2	2	150031	1/2 HEX FINISH NUT
3	2	150030	1/2 SPLIT LOCKWASHER
4	2	150183	1/2 X 3 1/2 HHCS GR 5 ZC
5	8	150033	1" SPLIT LOCKWASHER
6	8	150034	1" HEX FINISH NUT
7	8	150742	1" X 10 HHCS GR5 ZC
8	2	508123	MOUNT PLATE
9	2	150047	.177 HAIRPIN COTTER
10	2	150632	1 X 4 1/2 CLEVIS PIN
11	2	350530	3/8 X 4 3/8 HITCH PIN
12	2	703535	ROAD LOCK-OUT - W.A. (WHITE)
13	2	150826	2" TYPE B NARROW FLAT WASHER
14	2	150239	1/4 X 3 COTTER PIN
15	2	705534	SHAFT
16	4	802107	11L X 15 - 8PLY TIRE ASSEMBLY
17	2	800300	6 - BOLT HUB & SPINDLE ASSY.
18	6	360587	UHMW BUSHING
19	2	705538	WHEEL TOWER SUPPORT
20	2	705535	ROCKSHAFT-DUALS



SECTION A-A  
SCALE 1 : 30

ITEM NO.	QTY.	PART NO.	DESCRIPTION
1	2	330727	5 x 24 WINGFOLD CYLINDER
2	2	330540	4 x 24 WINGFOLD CYLINDER
3	2	330278	3/4M x 3/8F TEE
4	2	330277	3/4M x 3/8F TEE w/RESTRICTOR
5	6	330276	3/4M X 3/8F, NPT HYD EL
6	2	330939	4 x 10 STANDARD CYLINDER
7	6	330201	3/8 FEMALE TEE
8	4	330292	3/8 MALE PIPE NIPPLE
9	2	330274	3/4M X 3/8F SWIF ADAP. NPT
10	2	330265	VONBERG VALVE 49040
11	2	330272	3/4M X 3/8F, NPT STAIGHT ADAP
12	2	330526	3/4M X 3/8M, NPT W/RESTR
13	2	351109	VALVE EXTENSION
14	4	330935	7/8 O-RING M x 3/4 O-RING ADPT
15	2	330737	3/8 X 3/8 FEMALE COUPLING

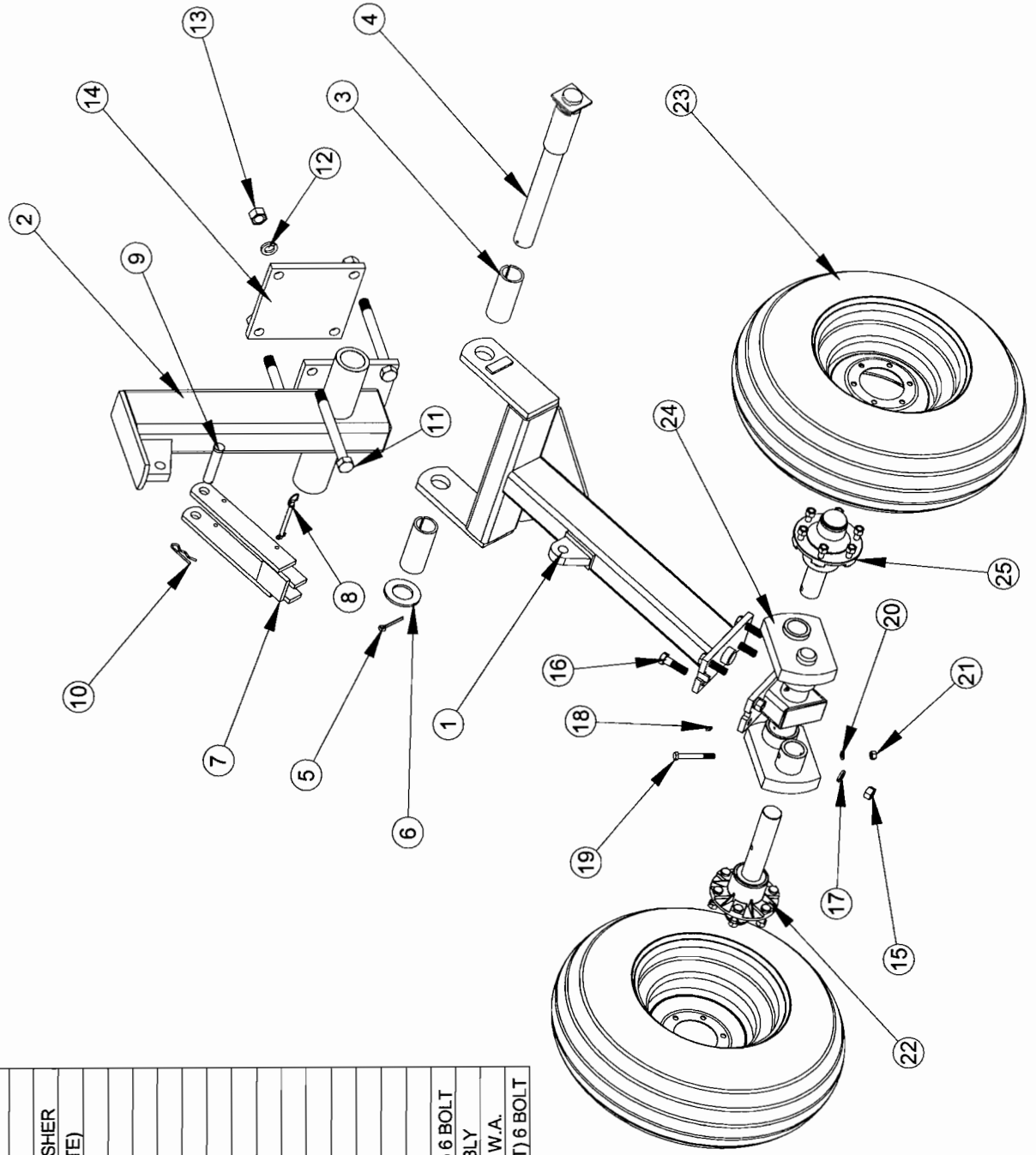
ITEM NO.	QTY.	PART NO.	DESCRIPTION
1	1	300188A	L.T. SIGNAL LIGHT-WESBAR
2	1	300188B	RT. SIGNAL LIGHT-WESBAR
3	4	300188C	MAGNET
4	4	300188D	1 x 1/4 HEX WASHER HEAD SCREW
5	1	300188E	WIRING HARNESS

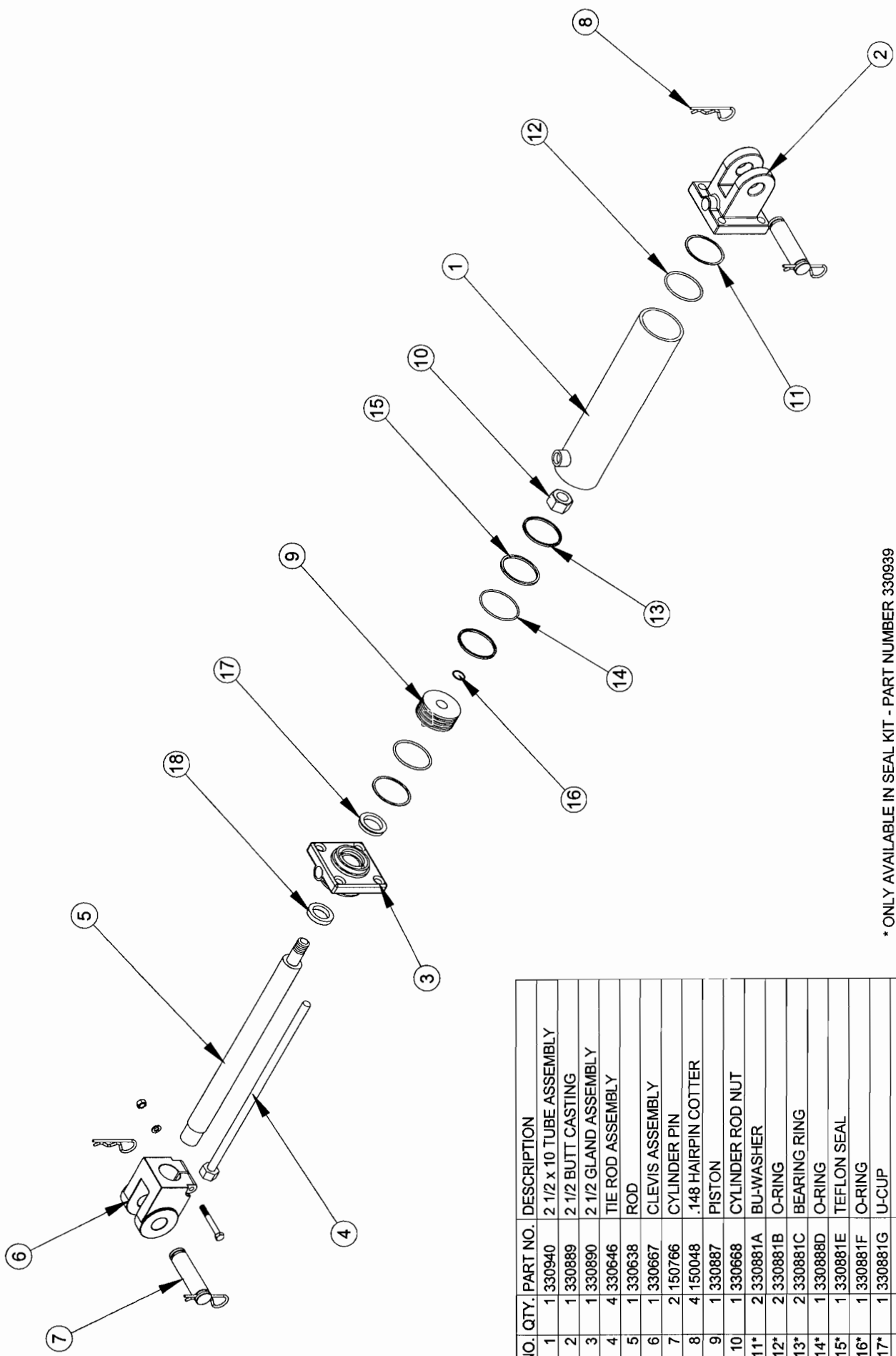


NOTE: ATTACH LIGHT 6 TO 7 INCHES FROM TOP OF TOWER

NOTE: WRAP EXCESS WIRE AROUND TOWER

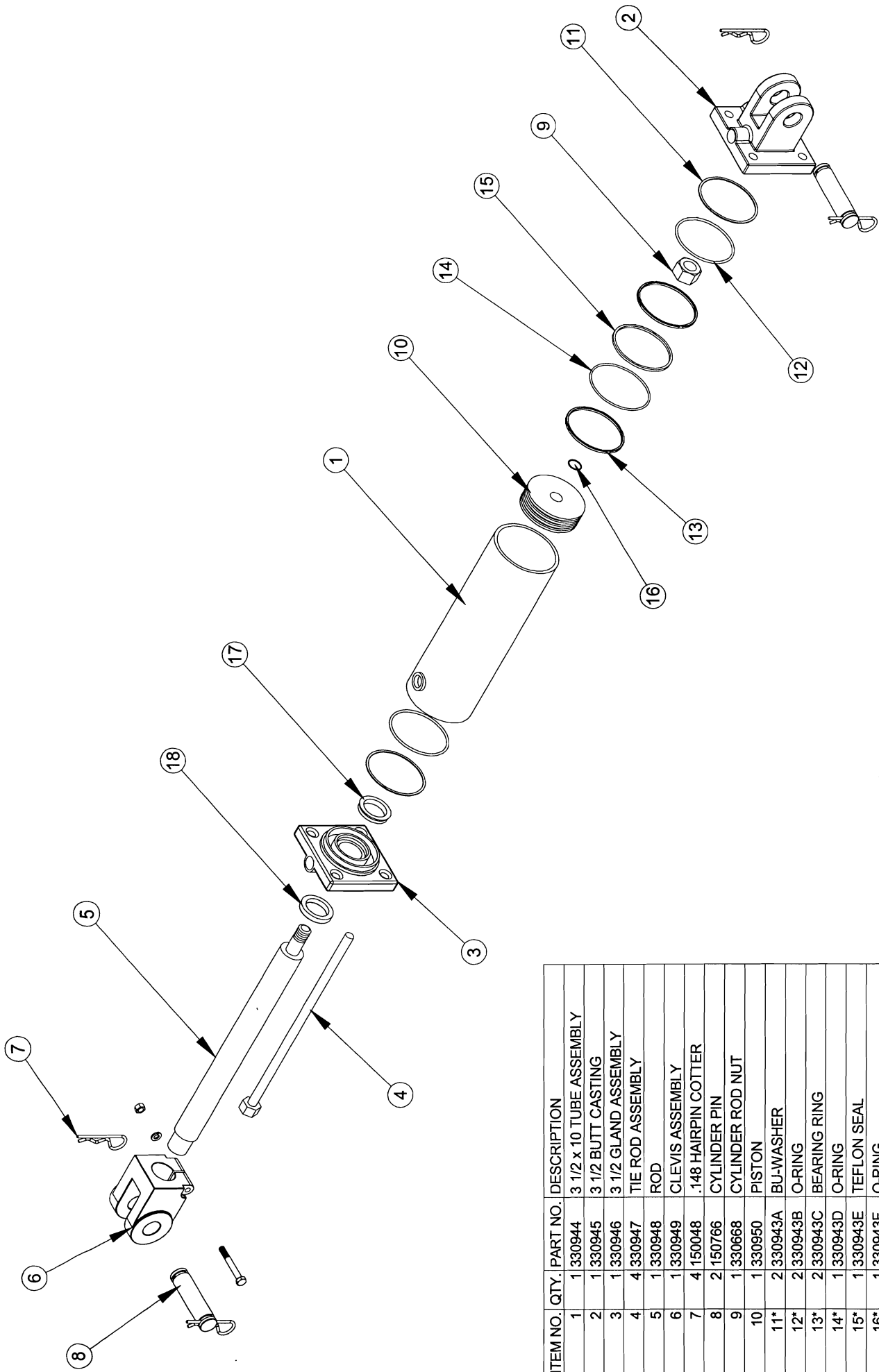
ITEM NO.	QTY.	PART NO.	DESCRIPTION
1	1	705536	ROCKSHAFT-DUALS
2	1	705538	WHEEL TOWER SUPPORT
3	3	360587	UHMW BUSHING
4	1	705534	SHAFT
5	1	150239	1/4 X 3 COTTER PIN
6	1	150826	2" TYPE B NARROW FLAT WASHER
7	1	703533	ROAD LOCK-OUT - W.A. (WHITE)
8	1	350530	3/8 X 4 3/8 HITCH PIN
9	1	150632	1 X 4 1/2 CLEVIS PIN
10	1	150047	.177 HAIRPIN COTTER
11	4	150742	1" X 10 HHCS GR5 ZC
12	4	150033	1" SPLIT LOCKWASHER
13	4	150034	1" HEX FINISH NUT
14	1	1508123	MOUNT PLATE
15	4	150038	3/4 HEX FINISH NUT ZC
16	4	150149	3/4 x 2-1/2 HHCS GR 5 ZC
17	4	150037	3/4 SPLIT LOCKWASHER ZC
18	2	150050	1/4-28 STRAIGHT ZERK
19	2	150184	1/2 x 4 HHCS GR 5 ZC
20	2	150030	1/2 SPLIT LOCKWASHER
21	2	150031	1/2 HEX FINISH NUT
22	1	802423	HUB & SPINDLE ASSY (LONG) 6 BOLT
23	2	802107	11L X 15 - 8PLY TIRE ASSEMBLY
24	1	703786	WALKING DUAL AXLE 6 BOLT W.A.
25	1	802403	HUB & SPINDLE ASSY (SHORT) 6 BOLT





EM NO.	QTY.	PART NO.	DESCRIPTION
1	1	330940	2 1/2 x 10 TUBE ASSEMBLY
2	1	330889	2 1/2 BUTT CASTING
3	1	330890	2 1/2 GLAND ASSEMBLY
4	4	330646	TIE ROD ASSEMBLY
5	1	330638	ROD
6	1	330667	CLEVIS ASSEMBLY
7	2	150766	CYLINDER PIN
8	4	150048	.148 HAIRPIN COTTER
9	1	330887	PISTON
10	1	330668	CYLINDER ROD NUT
11*	2	330881A	BU-WASHER
12*	2	330881B	O-RING
13*	2	330881C	BEARING RING
14*	1	330888D	O-RING
15*	1	330881E	TEFLON SEAL
16*	1	330881F	O-RING
17*	1	330881G	U-CUP
18*	1	330881H	WIPER

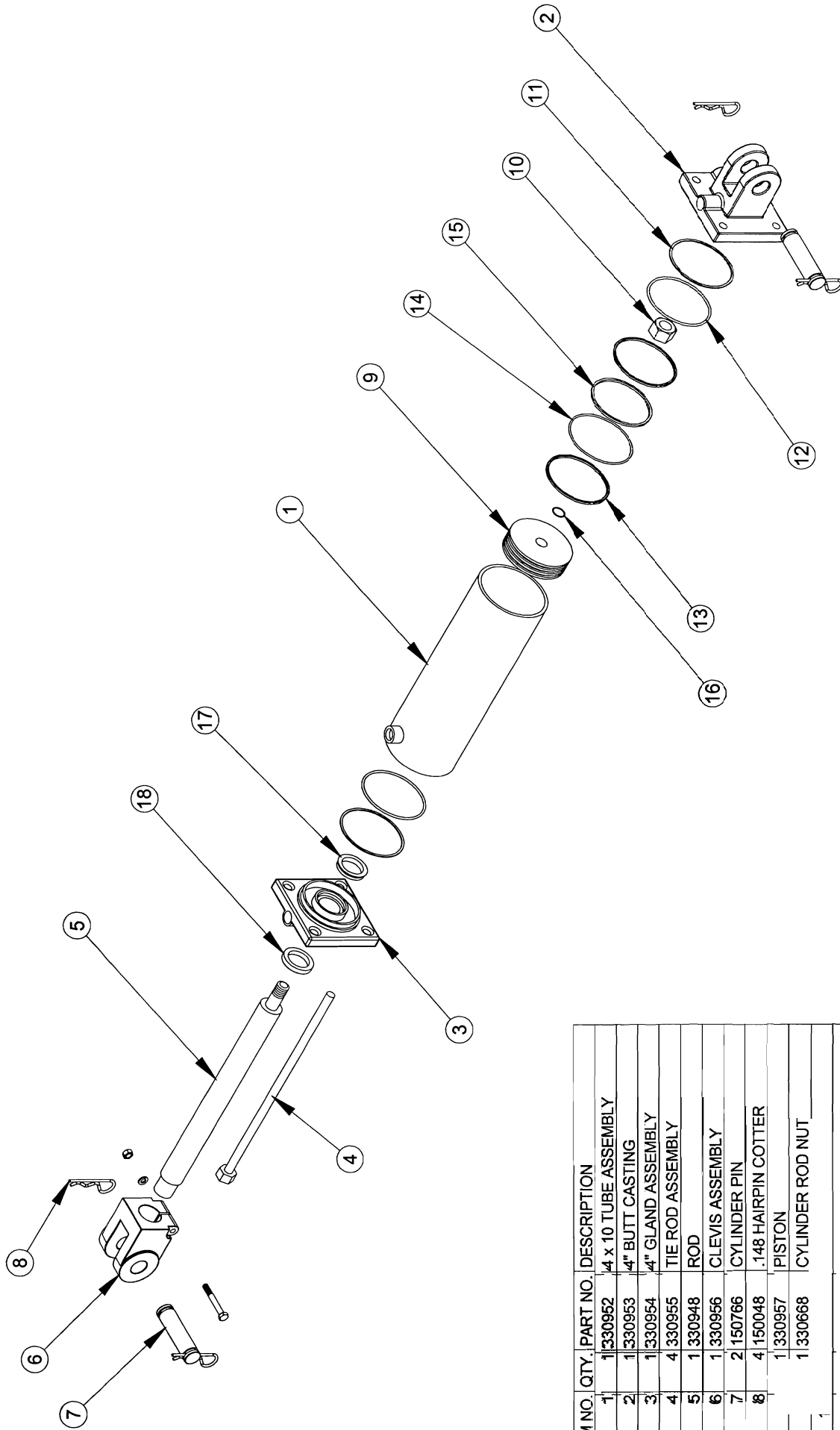
\* ONLY AVAILABLE IN SEAL KIT - PART NUMBER 330939



ITEM NO.	QTY.	PART NO.	DESCRIPTION
1	1	330944	3 1/2 x 10 TUBE ASSEMBLY
2	1	330945	3 1/2 BUTT CASTING
3	1	330946	3 1/2 GLAND ASSEMBLY
4	4	330947	TIE ROD ASSEMBLY
5	1	330948	ROD
6	1	330949	CLEVIS ASSEMBLY
7	4	150048	.148 HAIRPIN COTTER
8	2	150766	CYLINDER PIN
9	1	330668	CYLINDER ROD NUT
10	1	330950	PISTON
11*	2	330943A	BU-WASHER
12*	2	330943B	O-RING
13*	2	330943C	BEARING RING
14*	1	330943D	O-RING
15*	1	330943E	TEFLON SEAL
16*	1	330943F	O-RING
17*	1	330943G	U-CUP
18*	1	330943H	WIPER

\* ONLY AVAILABLE IN SEAL KIT - PART NUMBER 330943





\* ONLY AVAILABLE IN SEAL KIT - PART NUMBER 330951

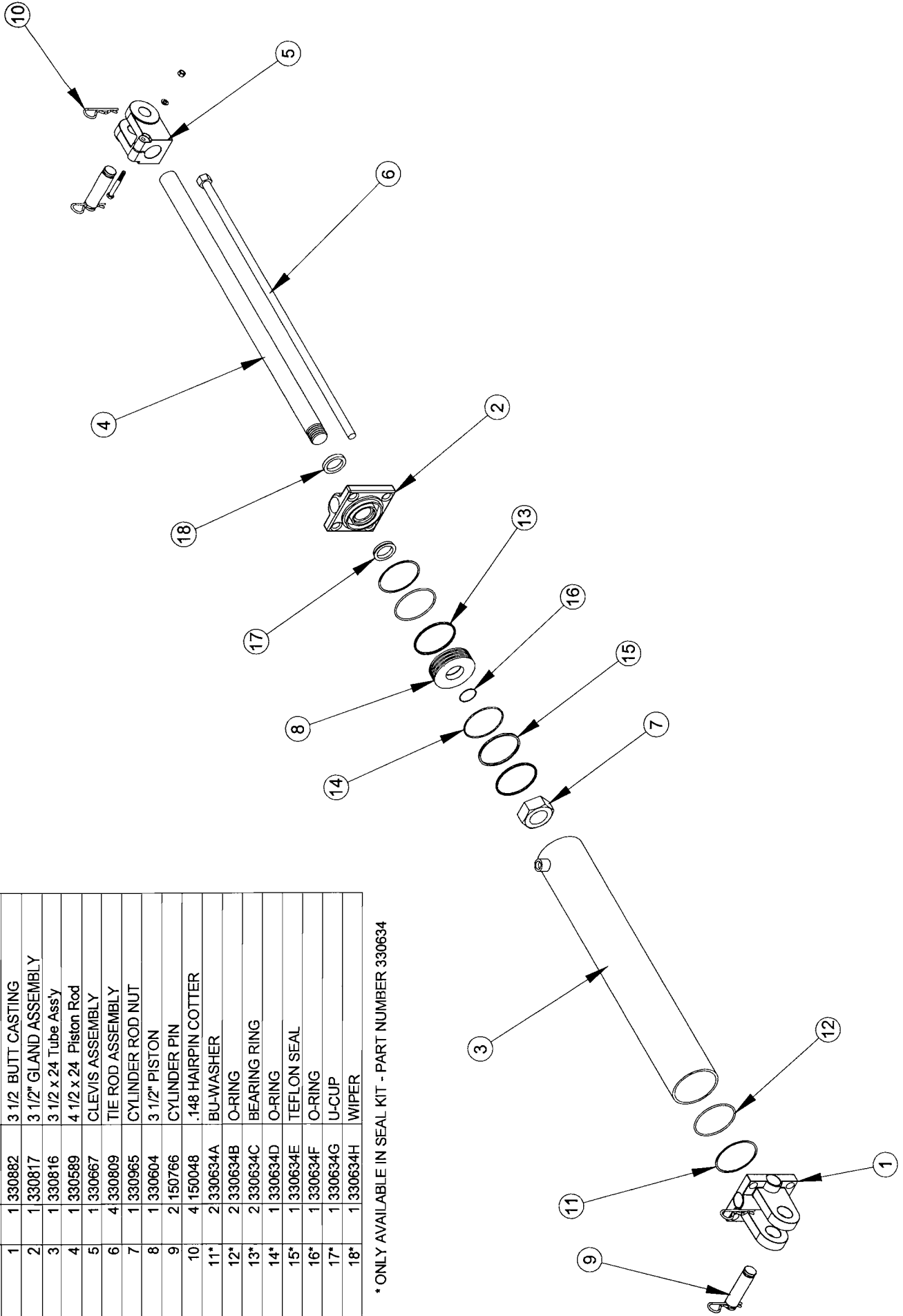
ITEM NO.	QTY.	PART NO.	DESCRIPTION
1	1	330952	4 x 10 TUBE ASSEMBLY
2	1	330953	4" BUTT CASTING
3	1	330954	4" GLAND ASSEMBLY
4	4	330955	TIE ROD ASSEMBLY
5	1	330948	ROD
6	1	330956	CLEVIS ASSEMBLY
7	2	150766	CYLINDER PIN
8	4	150048	.148 HAIRPIN COTTER
	1	330957	PISTON
	1	330668	CYLINDER ROD NUT
12*	2	330951B	O-RING
13*	2	330951C	BEARING RING
14*	1	330951D	O-RING
15*	1	330951E	TEFLON SEAL
16*	1	330951F	O-RING
17*	1	330951G	U-CUP
18*	1	330951H	WIPER

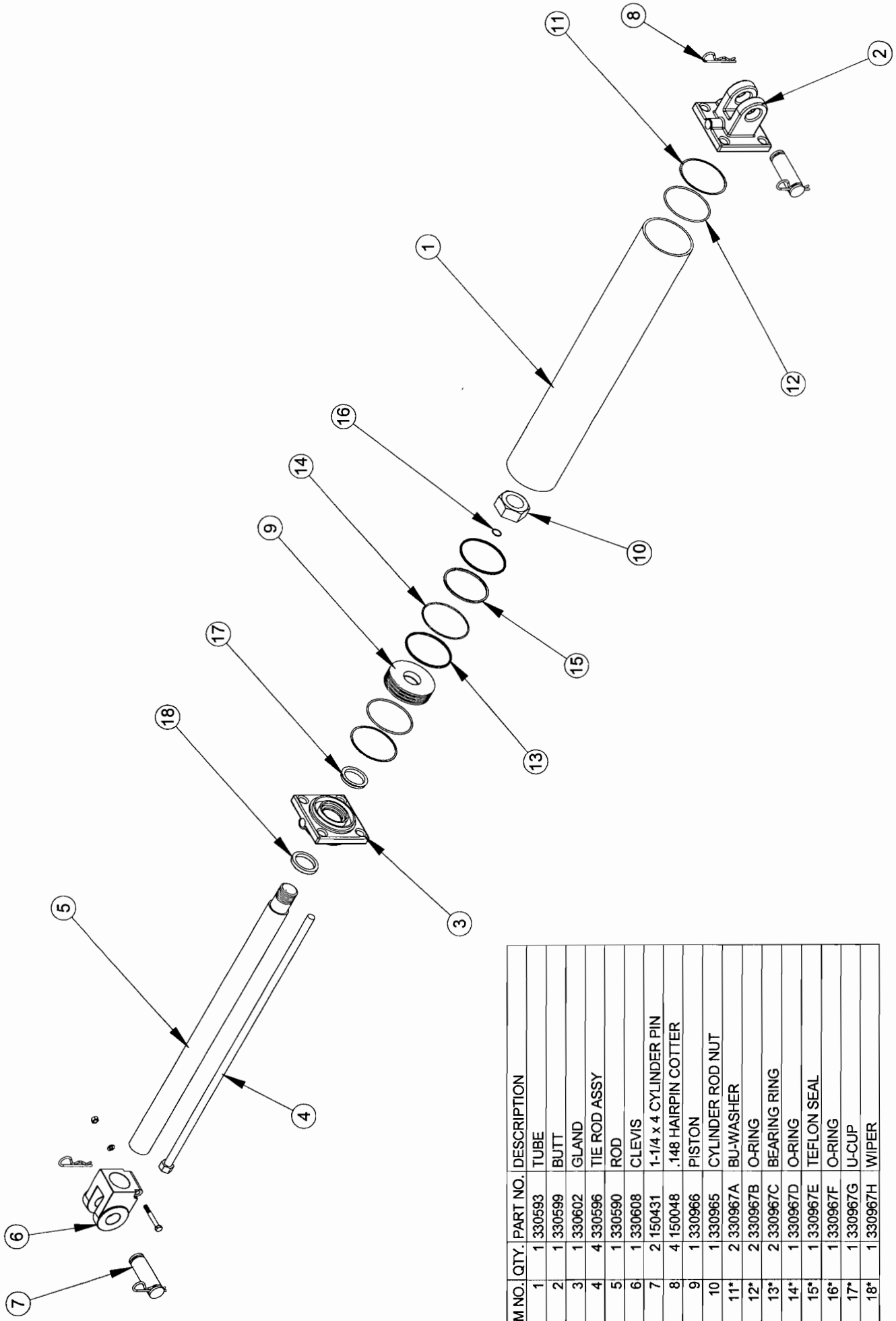
**330939 - 4 x 10  
IDWAY CYLINDER**

**TERRA-FIRM'R 6/15/01**

ITEM NO.	QTY.	PART NO.	DESCRIPTION
1	1	330882	3 1/2 BUTT CASTING
2	1	330817	3 1/2" GLAND ASSEMBLY
3	1	330816	3 1/2 x 24 Tube Ass'y
4	1	330589	4 1/2 x 24 Piston Rod
5	1	330667	CLEVIS ASSEMBLY
6	4	330809	TIE ROD ASSEMBLY
7	1	330965	CYLINDER ROD NUT
8	1	330604	3 1/2" PISTON
9	2	150766	CYLINDER PIN
10	4	150048	.148 HAIRPIN COTTER
11*	2	330634A	BU-WASHER
12*	2	330634B	O-RING
13*	2	330634C	BEARING RING
14*	1	330634D	O-RING
15*	1	330634E	TEFLON SEAL
16*	1	330634F	O-RING
17*	1	330634G	U-CUP
18*	1	330634H	WIPER

\* ONLY AVAILABLE IN SEAL KIT - PART NUMBER 330634

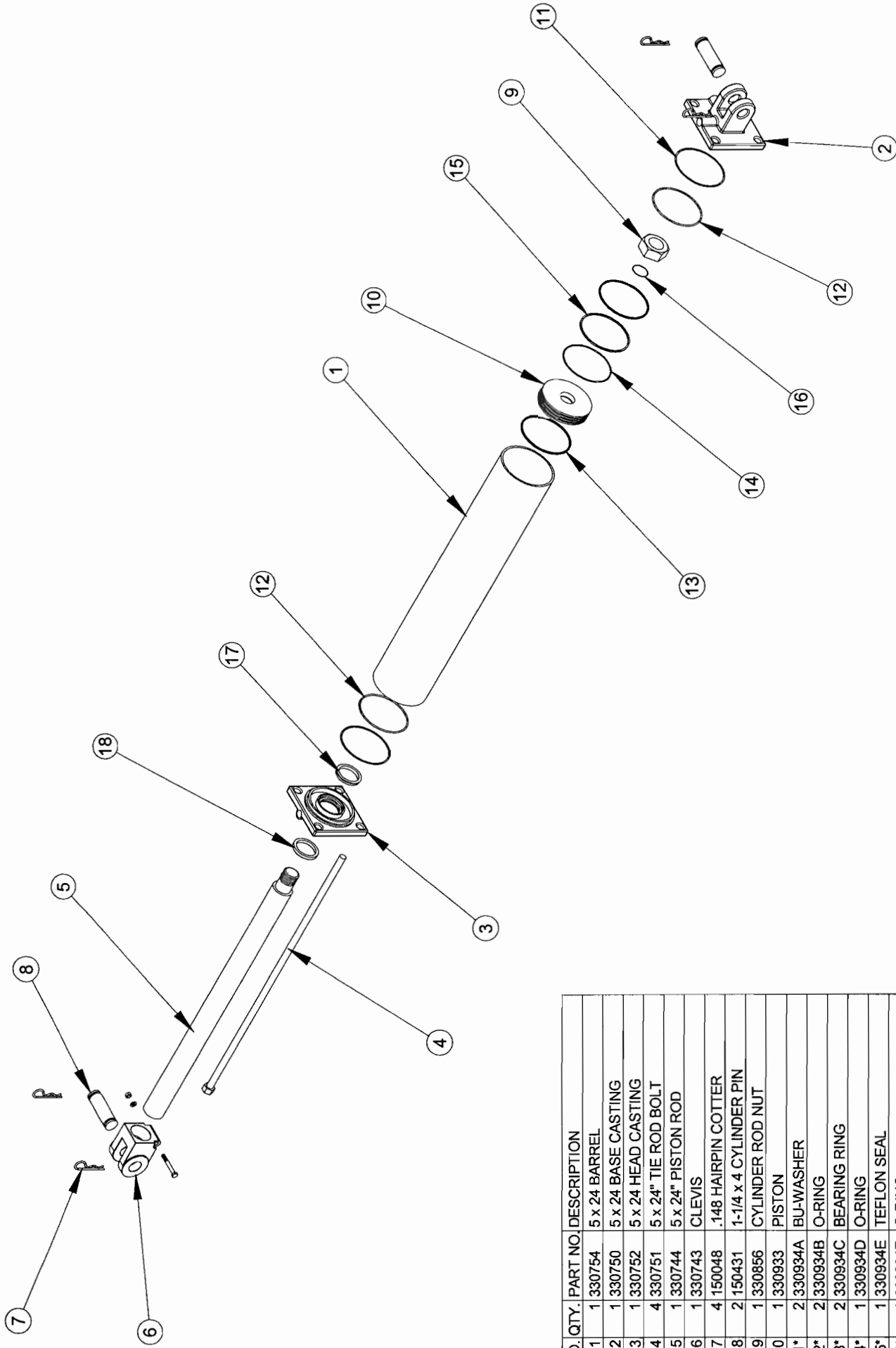




TEM NO.	QTY.	PART NO.	DESCRIPTION
1	1	330593	TUBE
2	1	330599	BUJT
3	1	330602	GLAND
4	4	330596	TIE ROD ASSY
5	1	330590	ROD
6	1	330608	CLEVIS
7	2	150431	1-1/4 x 4 CYLINDER PIN
8	4	150048	.148 HAIRPIN COTTER
9	1	330966	PISTON
10	1	330965	CYLINDER ROD NUT
11*	2	330967A	BU-WASHER
12*	2	330967B	O-RING
13*	2	330967C	BEARING RING
14*	1	330967D	O-RING
15*	1	330967E	TEFLON SEAL
16*	1	330967F	O-RING
17*	1	330967G	U-CUP
18*	1	330967H	WIPER

**30540 - 4 x 24  
RINCE CYLINDER**

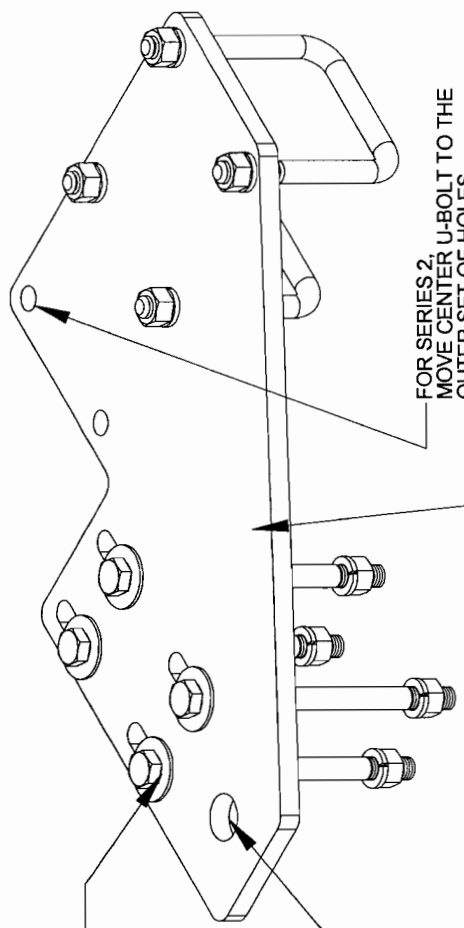
**TERRA-FIRM'R 6/15/01**



ITEM NO.	QTY.	PART NO.	DESCRIPTION
1	1	330754	5 x 24 BARREL
2	1	330750	5 x 24 BASE CASTING
3	1	330752	5 x 24 HEAD CASTING
4	4	330751	5 x 24" TIE ROD BOLT
5	1	330744	5 x 24" PISTON ROD
6	1	330743	CLEVIS
7	4	150048	.148 HAIRPIN COTTER
8	2	150431	1-1/4 x 4 CYLINDER PIN
9	1	330856	CYLINDER ROD NUT
10	1	330933	PISTON
11*	2	330934A	BU-WASHER
12*	2	330934B	O-RING
13*	2	330934C	BEARING RING
14*	1	330934D	O-RING
15*	1	330934E	TEFLON SEAL
16*	1	330934F	O-RING
17*	1	330934G	U-CUP
18*	1	330934H	WIPER

\* ONLY AVAILABLE IN SEAL KIT - PART NUMBER 330934

FOR SERIES 3, USE  
FORWARD END OF SLOT  
FOR SERIES 2, USE  
BACK END OF SLOT

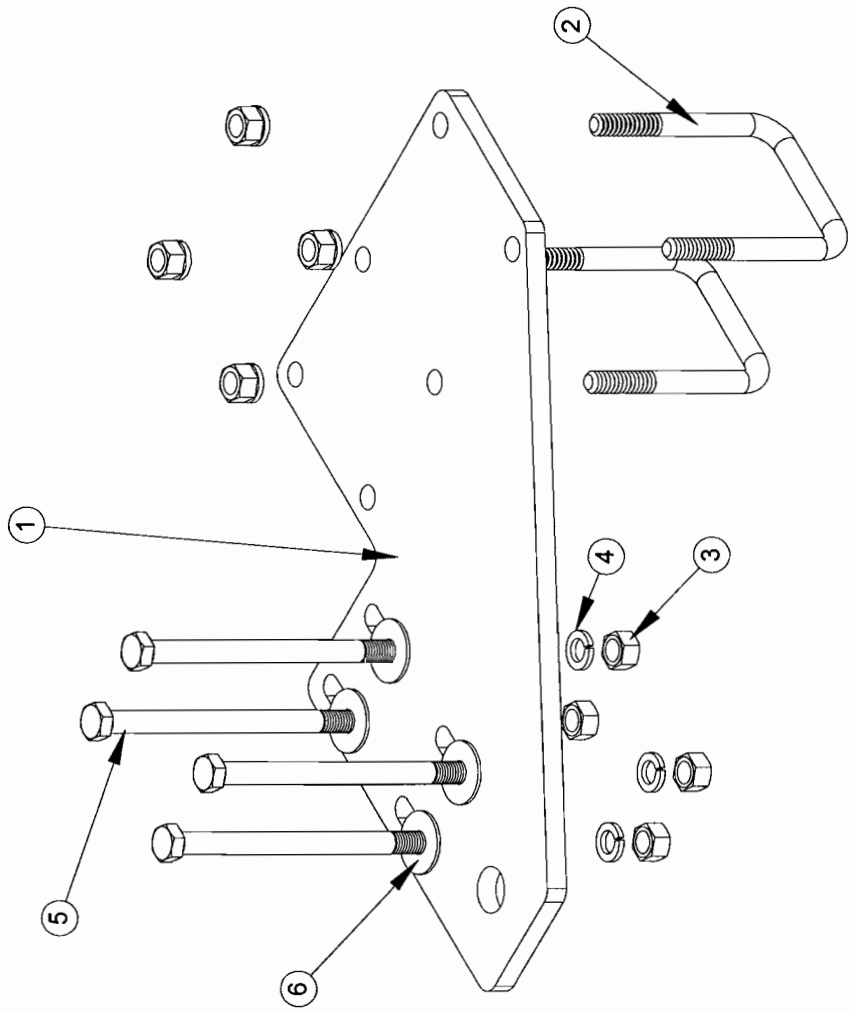


FOR SERIES 2,  
MOVE CENTER U-BOLT TO THE  
OUTER SET OF HOLES

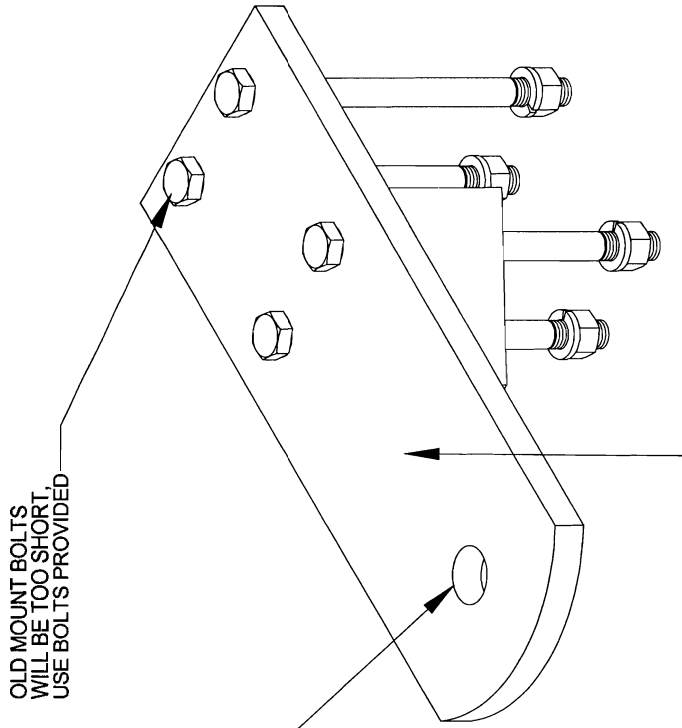
NOTE: PLATE MOUNTS IN SAME  
LOCATION AS THE TOP SHANK  
PLATE FOR THE CENTER SHANK

NOTE: CURRENT VIEW IS FOR FM (SERIES 3)

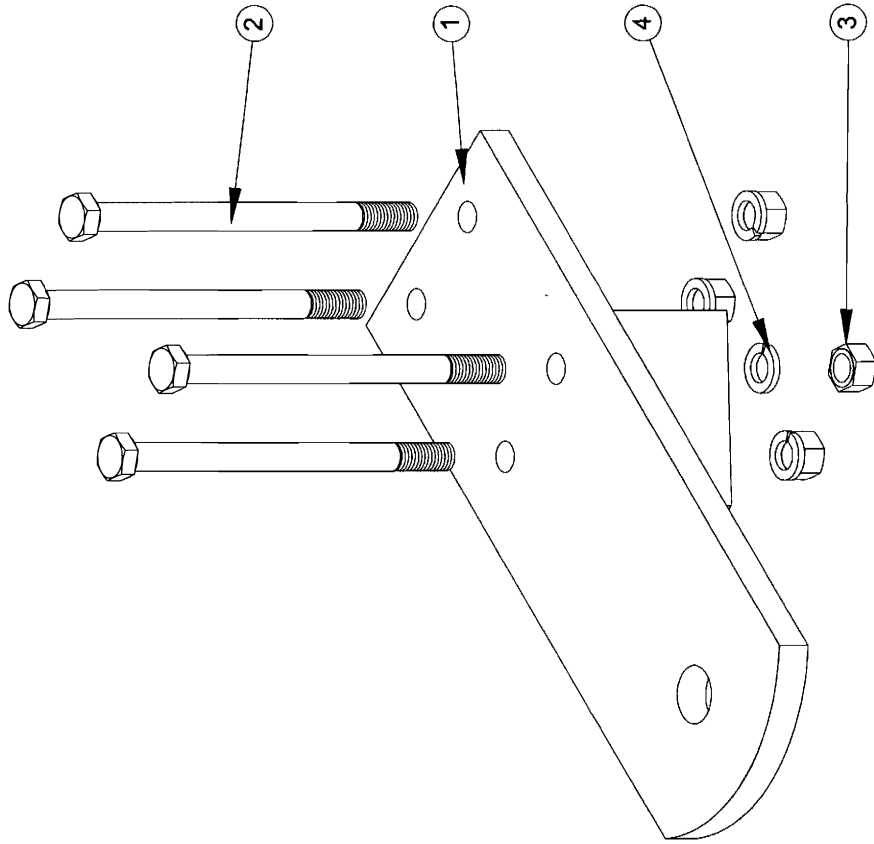
USE 2 5/16 TRAILER BALL (HIGH RISE)  
WITH 1 1/4 SHANK IN THIS HOLE  
QUINSTAR PRT# 300177



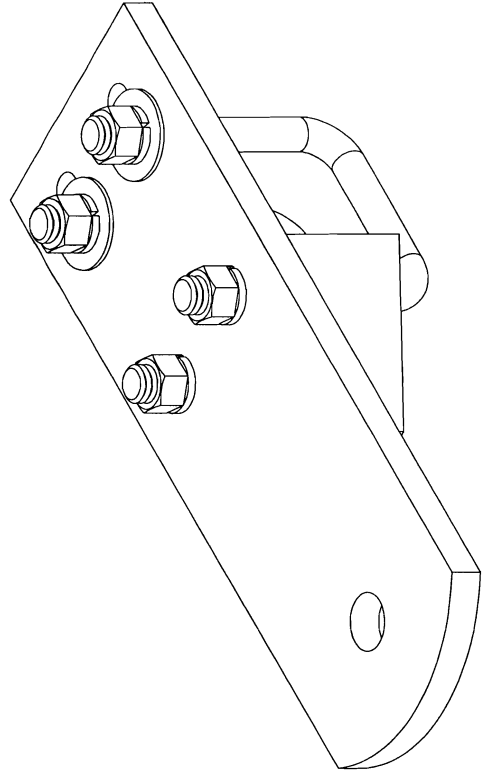
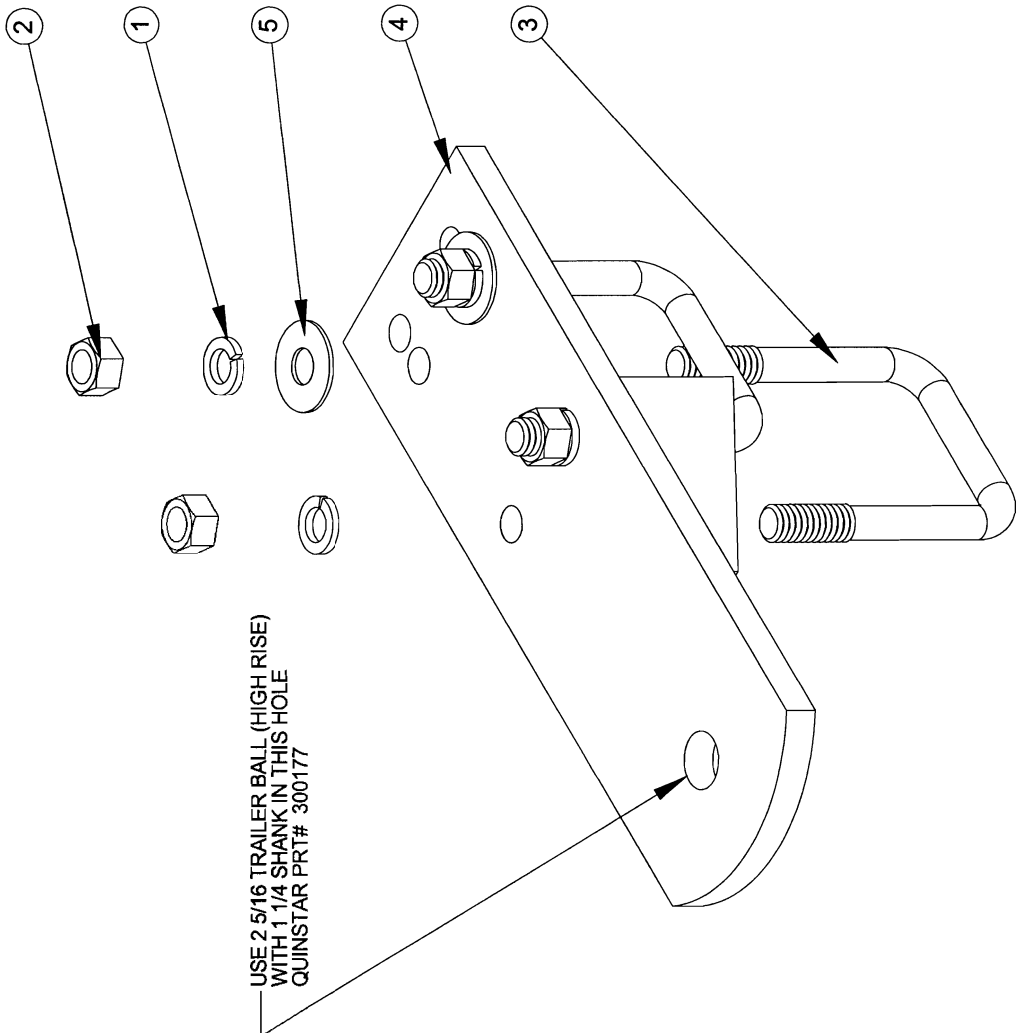
ITEM NO.	QTY.	PART NO.	DESCRIPTION
1	1	508125	TF HITCH PLATE 4 & 6 SECTION FM
2	2	150100	5/8 X 4 U-BOLT
3	8	150041	5/8 HEX NUT
4	8	150040	5/8 LOCKWASHER
5	4	150448	5/8 x 8 1/2 HHCS, GR. 5
6	4	150104	5/8 USS FLAT WASHER



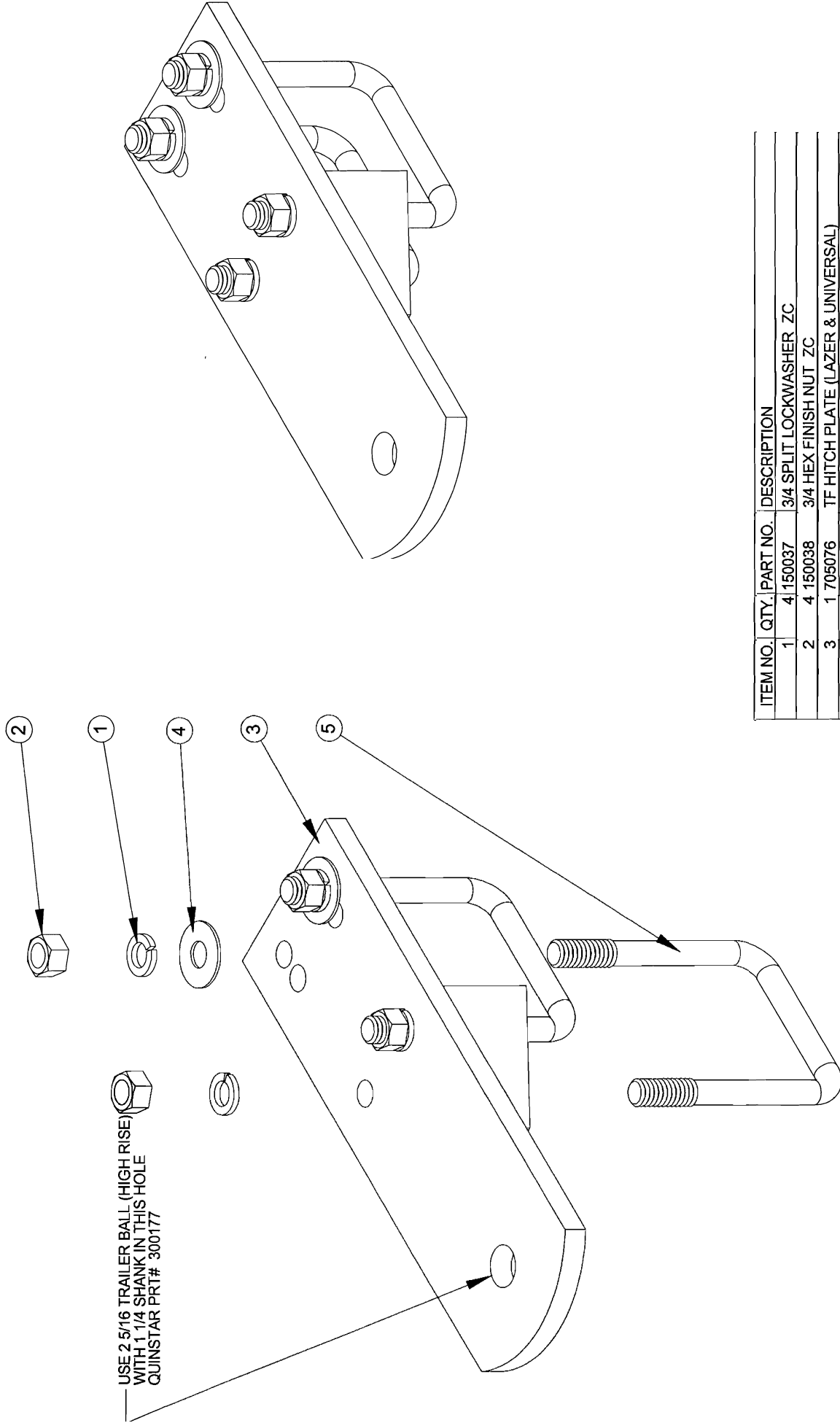
NOTE: THIS PLATE WILL REPLACE THE TOP SHANK PLATE USED FOR MOUNTING THE CENTER SHANK



ITEM NO.	QTY.	PART NO.	DESCRIPTION
1	1	705074	TF HITCH PLATE 3.5 & 7 SECTION FM
2	4	150448	5/8 x 8 1/2 HHCS, GR. 5
3	4	150041	5/8 HEX NUT
4	4	150040	5/8 LOCKWASHER



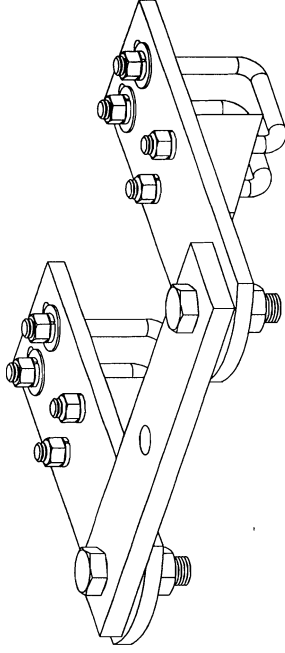
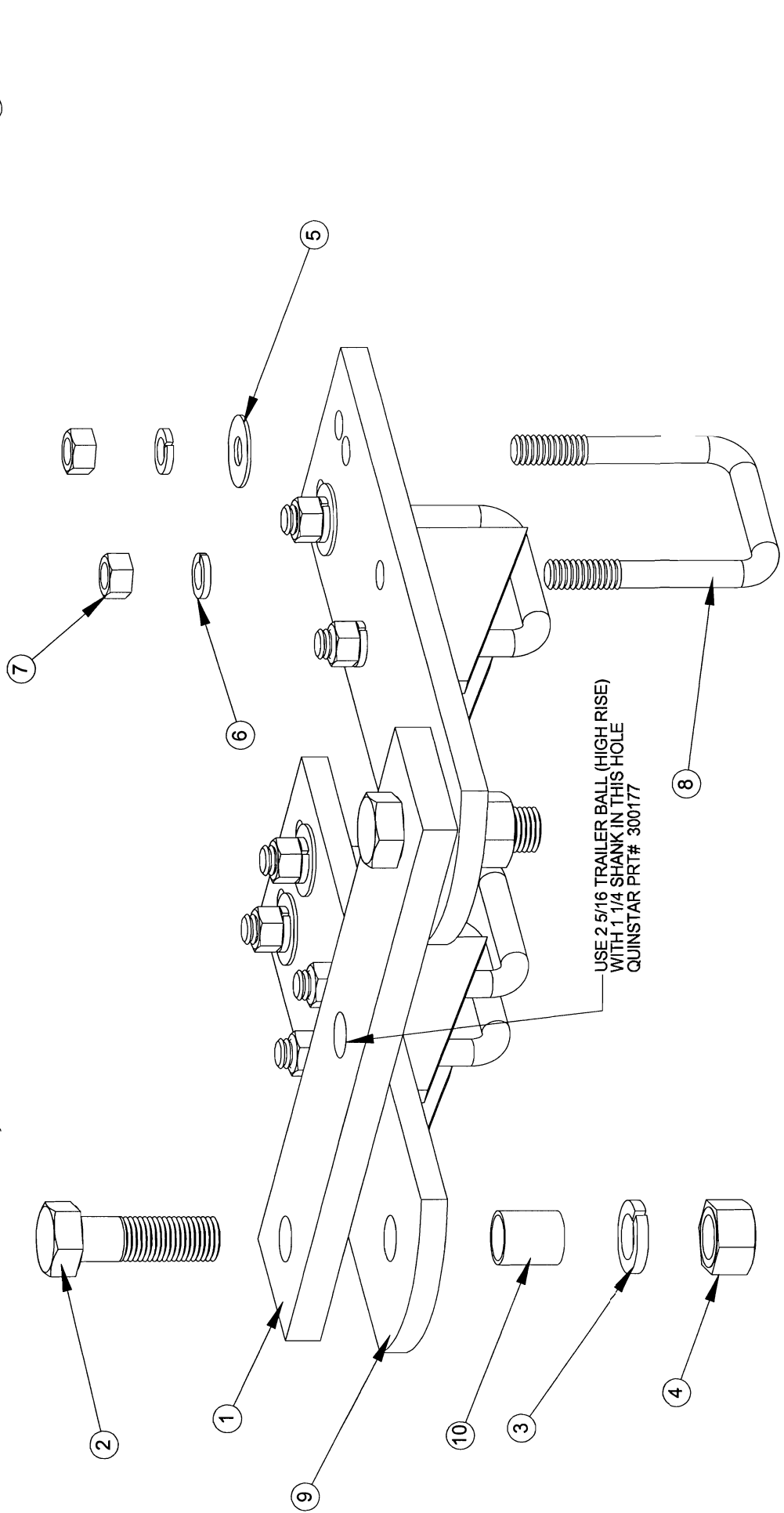
ITEM NO.	QTY.	PART NO.	DESCRIPTION
1	4	150037	3/4 SPLIT LOCKWASHER ZC
2	4	150038	3/4 HEX FINISH NUT ZC
3	2	150747	3/4 X 4 X 4 U-BOLT WITH 6" INSIDE LEG LENGTH
4	1	705076	TF HITCH PLATE (LAZER & UNIVERSAL)
5	2	150028	3/4 USS FLATWASHER



ITEM NO.	QTY.	PART NO.	DESCRIPTION
1	4	150037	3/4 SPLIT LOCKWASHER ZC
2	4	150038	3/4 HEX FINISH NUT ZC
3	1	705076	TF HITCH PLATE (LAZER & UNIVERSAL)
4	2	150028	3/4 USS FLATWASHER
5	2	150748	3/4 X 5 X 5 U-BOLT WITH 7" INSIDE LEG LENGTH



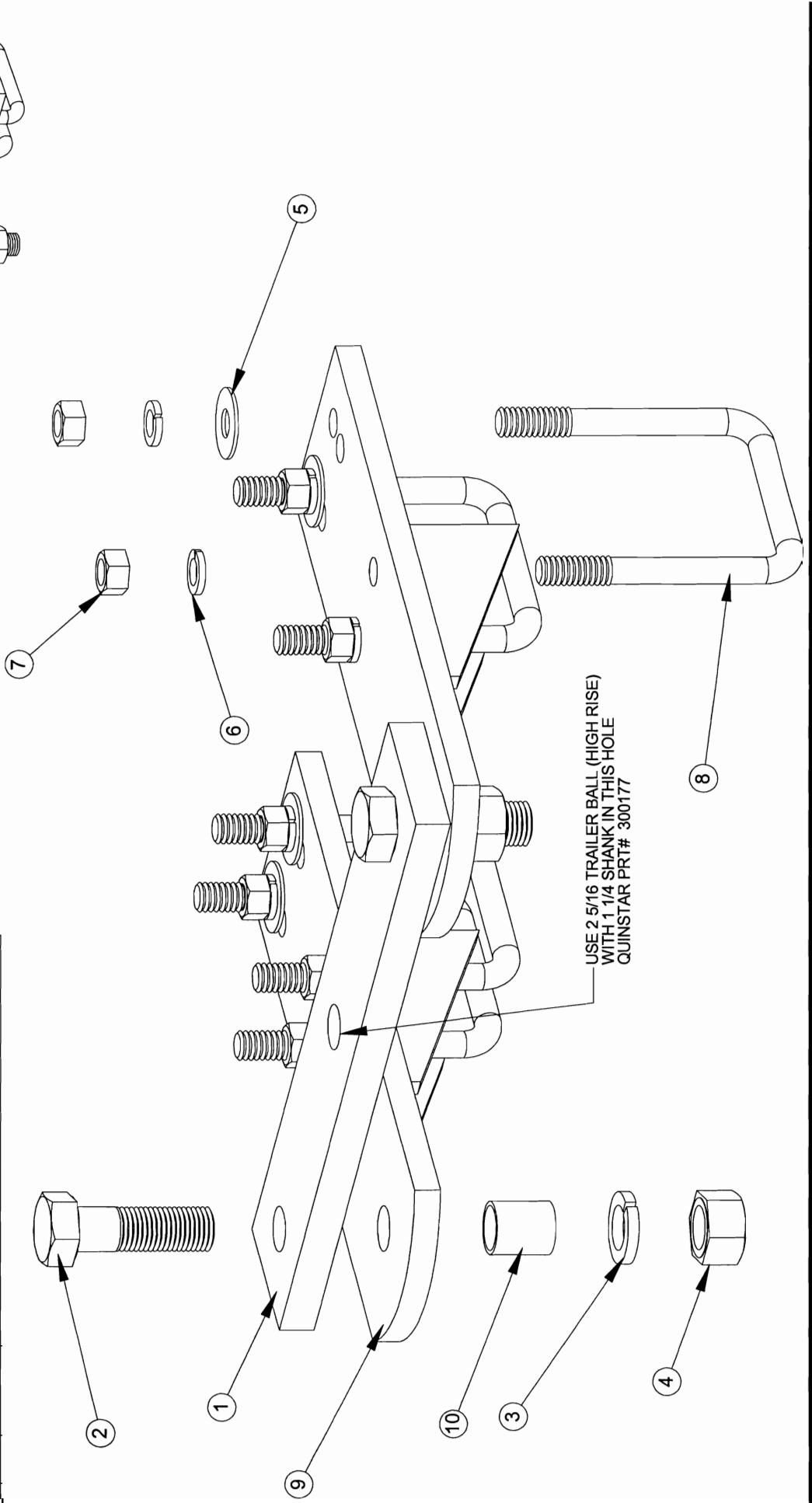
ITEM NO.	QTY.	PART NO.	DESCRIPTION
1	1	508128	TF DOUBLE CLAMP BAR
2	2	150578	1 1/4 X 4 HHCS GR 5 ZC
3	2	150157	1 1/4 SPLIT LOCKWASHER
4	2	150144	1 1/4 HEX FINISH NUT
5	4	150028	3/4 USS FLATWASHER
6	8	150037	3/4 SPLIT LOCKWASHER ZC
7	8	150038	3/4 HEX FINISH NUT ZC
8	4	150747	3/4 X 4 X 4 U-BOLT WITH 6" INSIDE LEG LENGTH
9	2	705076	TF HITCH PLATE (LAZER & UNIVERSAL)
10	2	509352	BUSHING

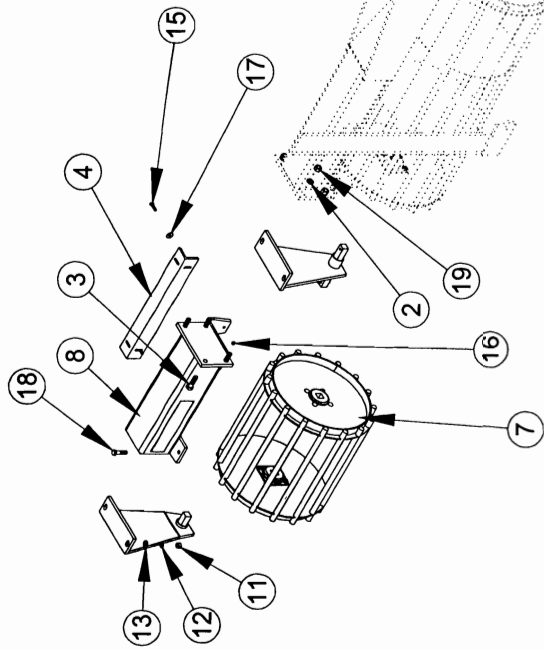


**102021 - HITCH PLATE  
DOUBLE CLAMP 5 x 5 BOXING**

**ERRA-FIRM'R 6/15/01**

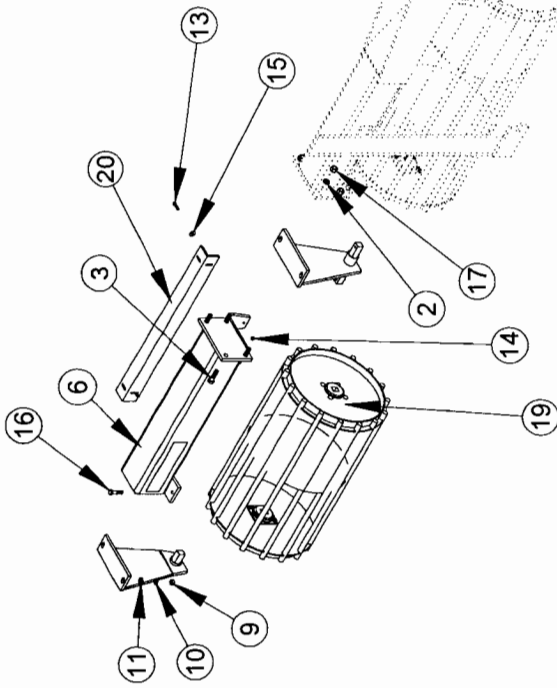
ITEM NO.	QTY.	PART NO.	DESCRIPTION
1	1	1508128	TF DOUBLE CLAMP BAR
2	2	150578	1 1/4 X 4 HHCS GR 5 ZC
3	2	150157	1 1/4 SPLIT LOCKWASHER
4	2	150144	1 1/4 HEX FINISH NUT
5	4	150028	3/4 USS FLATWASHER
6	8	150037	3/4 SPLIT LOCKWASHER ZC
7	8	150038	3/4 HEX.FINISH NUT . ZC
8	4	150748	3/4 X 5 X 5 U-BOLT WITH 7" INSIDE LEG LENGTH
9	2	705076	TF HITCH PLATE (LAZER & UNIVERSAL)
10	2	509352	BUSHING





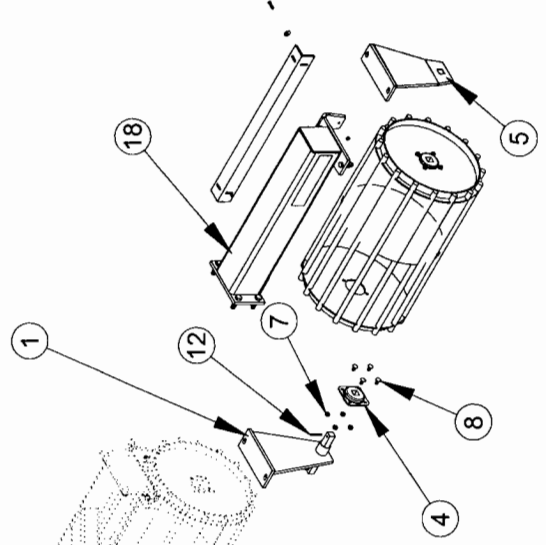
SPECIAL NOTE: REMOVE THE SINGLE STRUT SUPPORT FROM THE OUTSIDE OF BOTH WINGS AND REPLACE THEM WITH THE DOUBLE STRUT SUPPORTS.  
 USE THE SINGLE STRUT SUPPORTS (THAT WERE REMOVED FROM BOTH WINGS) ON THE END OF EACH EXTENSION.

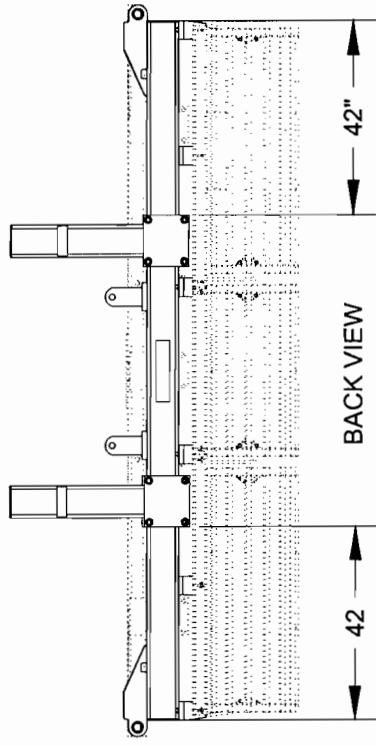
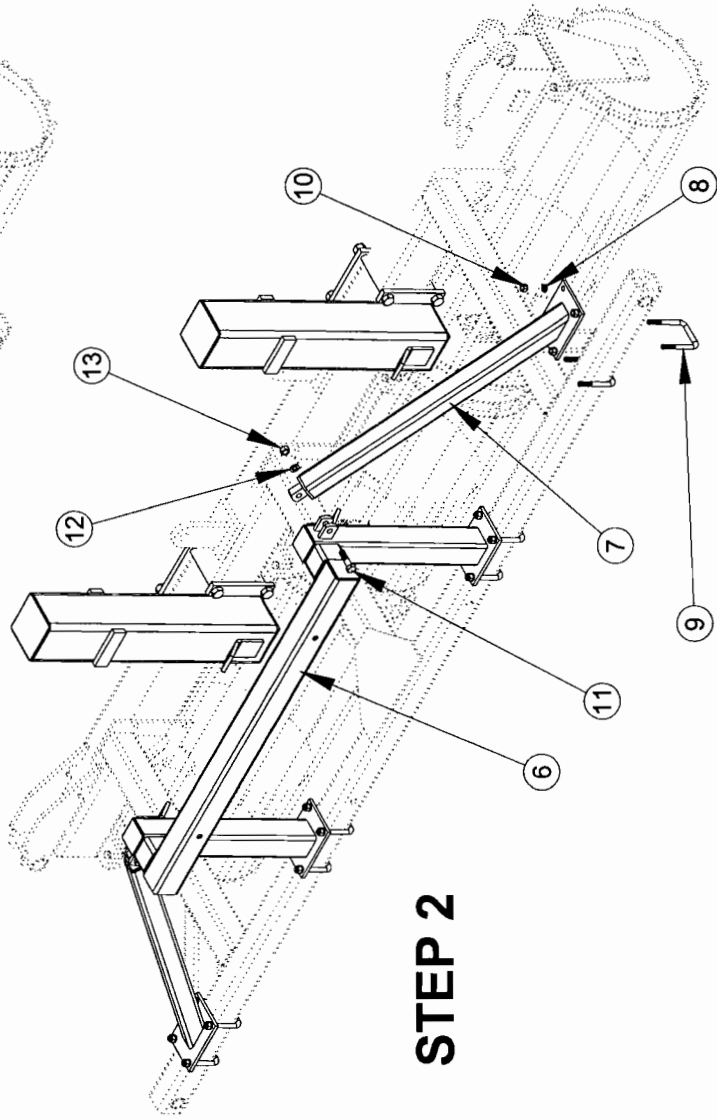
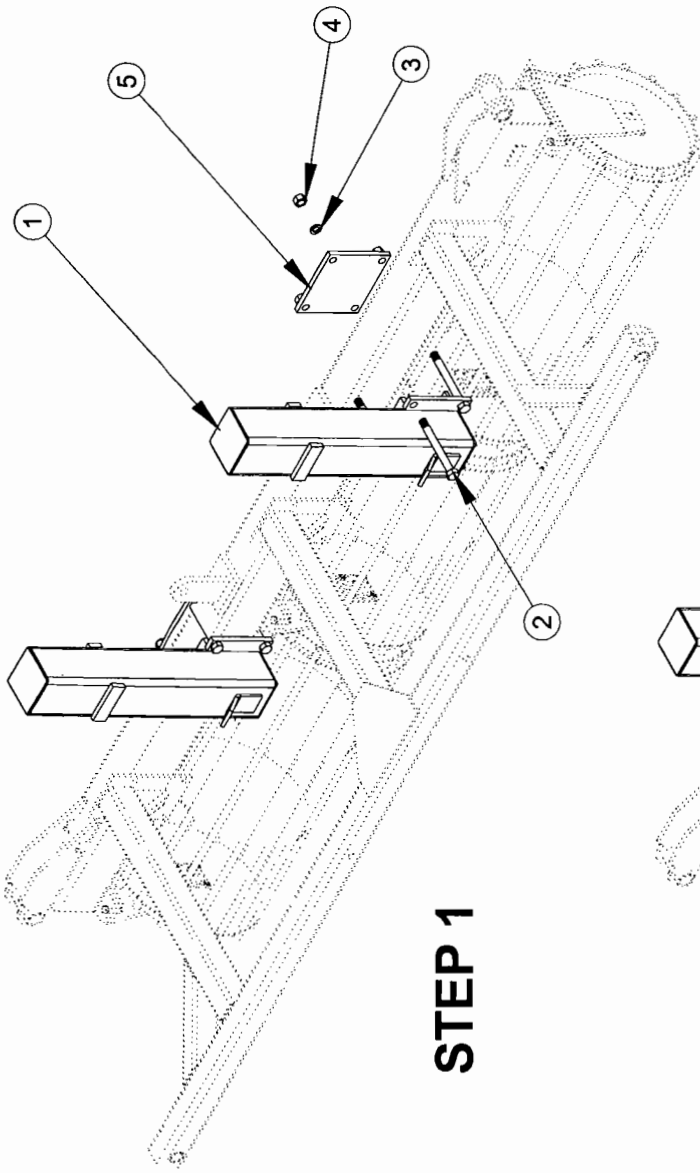
ITEM NO.	QTY.	PART NO.	DESCRIPTION
1	2	705023	STRUT SUPPORT DOUBLE
2	8	150037	3/4 SPLIT LOCKWASHER ZC
3	8	150149	3/4 X 2-1/2 HHCS GR 5 ZC
4	2	509215	SCRAPER BAR-EXTENSION
5	4	311007	SEALED BEARING 1 1/4 SQ HOLE
6	2	705022	STRUT SUPPORT SINGLE
7	2	705585	BASKET 24"
8	1	705583	2 FT. WING EXTENSION-RT.
9	16	150112	1/2 CENTERLOCK HEX NUT
10	16	150185	1/2 X 1 CGE SCREW GR 5 ZC
11	4	150041	5/8 HEX NUT
12	4	150040	5/8 LOCKWASHER
13	4	150283	5/8 SAE FLATWASHER
14	4	150443	3/8 X 2 1/2 ROLL PIN
15	4	150333	3/8 X 1 1/2 HHCS GR2 ZC
16	4	150042	3/8 CENTERLOCK HEX NUT
17	4	150269	3/8 USS FLAT WASHER
18	4	150058	5/8 X 2 1/2 HHCS GR 2 ZC
19	8	150038	3/4 HEX FINISH NUT ZC
20	1	705582	2 FT. WING EXTENSION-LT.



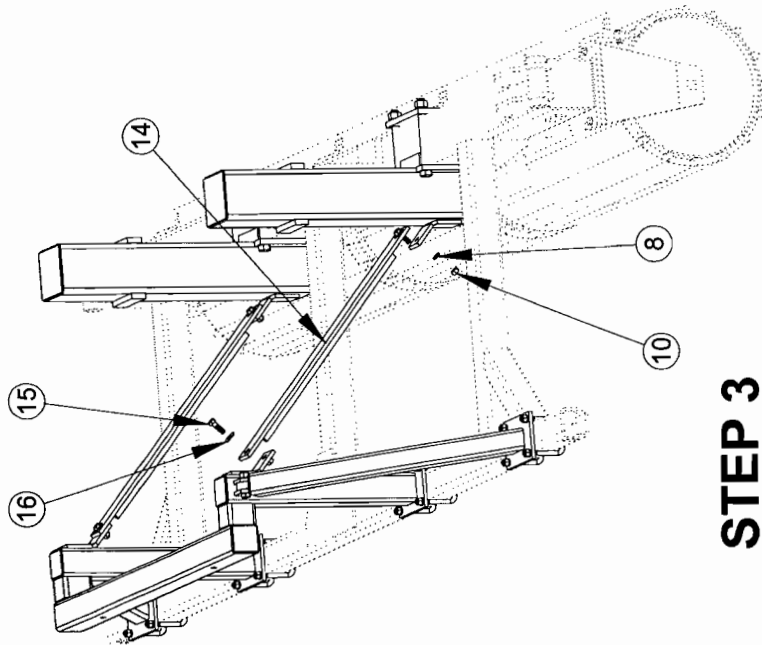
SPECIAL NOTE: REMOVE THE SINGLE STRUT SUPPORT FROM THE OUTSIDE OF BOTH WINGS AND REPLACE THEM WITH THE DOUBLE STRUT SUPPORTS.  
 USE THE SINGLE STRUT SUPPORTS (THAT WERE REMOVED FROM BOTH WINGS) ON THE END OF EACH EXTENSION.

TEM NO.	QTY.	PART NO.	DESCRIPTION
1	2	705023	STRUT SUPPORT DOUBLE
2	8	150037	3/4 SPLIT LOCKWASHER ZC
3	8	150149	3/4 X 2-1/2 HHCS GR 5 ZC
4	4	311007	SEALED BEARING 1 1/4 SQ HOLE
5	2	705022	STRUT SUPPORT SINGLE
6	1	705650	3 FT. WING EXTENSION-RT.
7	16	150112	1/2 CENTERLOCK HEX NUT
8	16	150185	1/2 X 1 CGE SCREW GR 5 ZC
9	4	150041	5/8 HEX NUT
10	4	150040	5/8 LOCKWASHER
11	4	150283	5/8 SAE FLATWASHER
12	4	150443	3/8 X 2 1/2 ROLL PIN
13	4	150333	3/8 X 1 1/2 HHCS GR2 ZC
14	4	150042	3/8 CENTERLOCK HEX NUT
15	4	150269	3/8 USS FLAT WASHER
16	4	150058	5/8 X 2 1/2 HHCS GR 2 ZC
17	8	150038	3/4 HEX FINISH NUT ZC
18	1	705649	3 FT. WING EXTENSION-LT.
19	2	705032	BASKET 37"
20	2	509351	SCRAPER BAR-EXTENSION

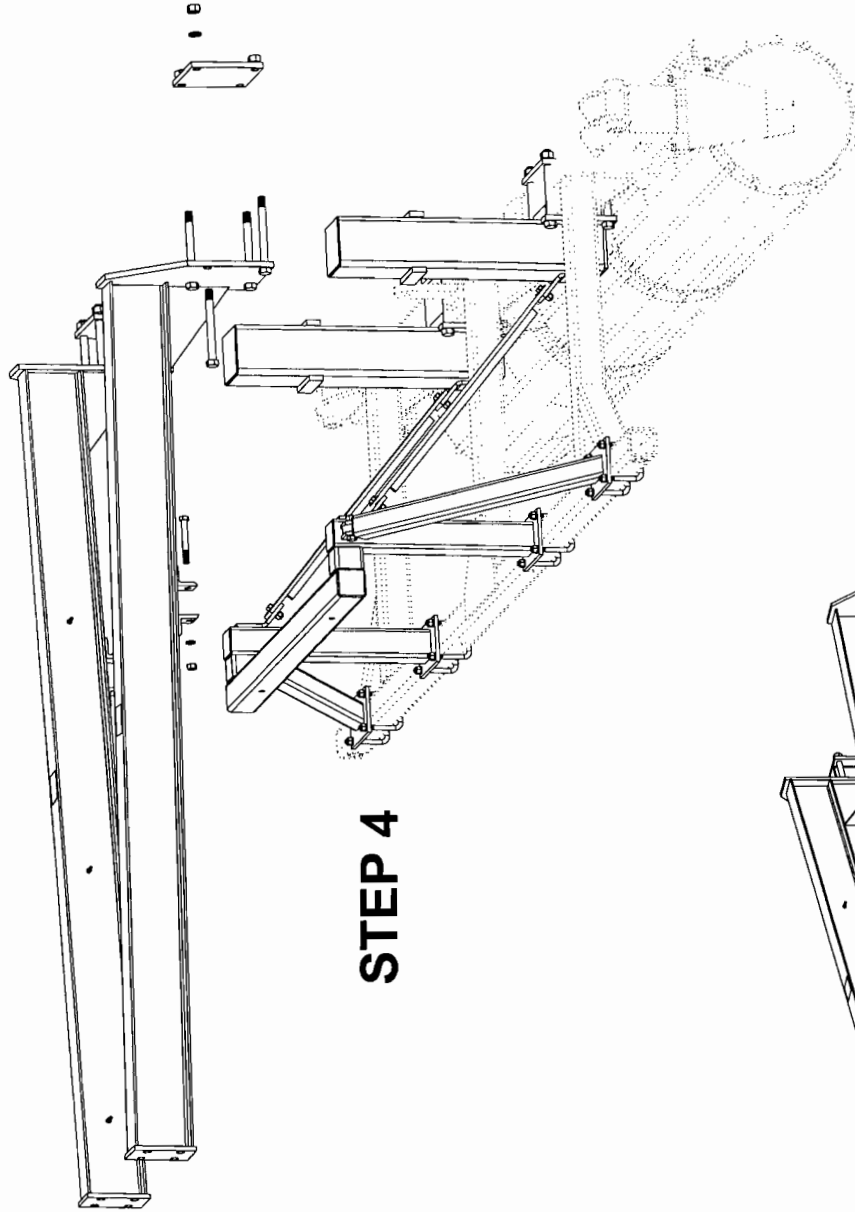




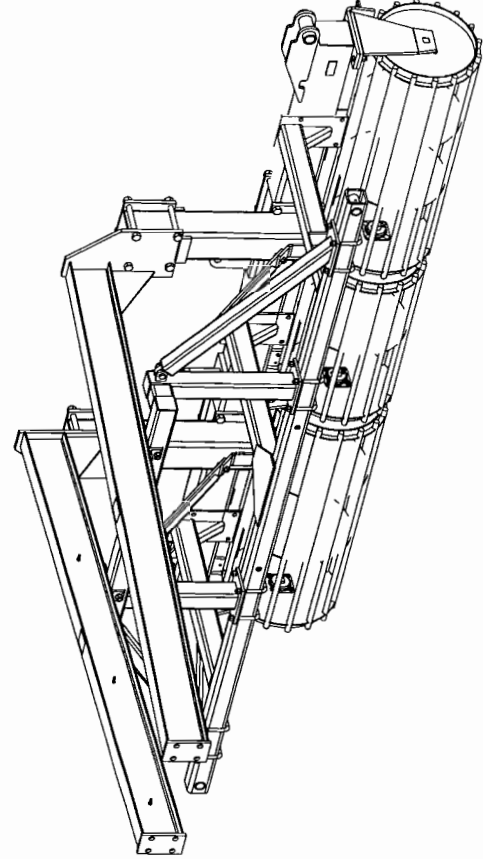
ITEM NO.	QTY.	PART NO.	DESCRIPTION
1	2	705513	RISER
2	8	150742	1" X 10 HHCS GR5 ZC
3	8	150033	1" SPLIT LOCKWASHER
4	8	150034	1" HEX FINISH NUT
5	2	509112	RISER MOUNT PLATE
6	1	705514	TONGUE SUPPORT
7	2	705517	BRACE
8	20	150040	5/8 LOCKWASHER
9	8	150100	5/8 X 4 U-BOLT
10	20	150041	5/8 HEX NUT
11	2	150187	3/4 x 3 HHCS, GR. 5
12	2	150037	3/4 SPLIT LOCKWASHER ZC
13	2	150038	3/4 HEX FINISH NUT ZC
14	2	705519	BRACE
15	4	150754	5/8 x 2 HHCS, GR. 5
16	4	150104	5/8 USS FLAT WASHER



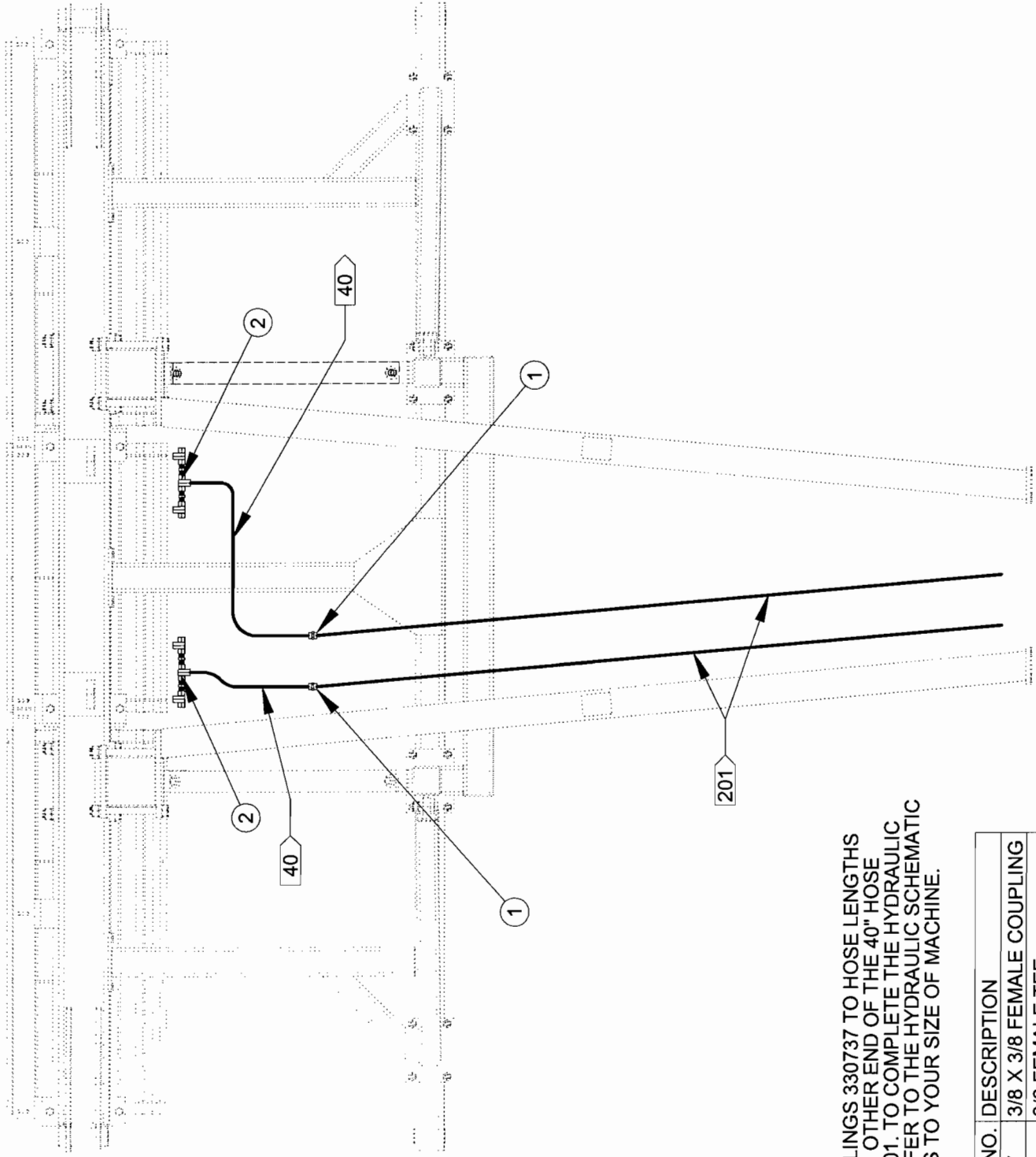
**STEP 3**



**STEP 4**



ITEM NO.	QTY.	PART NO.	DESCRIPTION
1	2	705513	RISER
2	8	150742	1" X 10 HHCS GR5 ZC
3	8	150033	1" SPLIT LOCKWASHER
4	8	150034	1" HEX FINISH NUT
5	2	509112	RISER MOUNT PLATE
6	1	705514	TONGUE SUPPORT
7	2	705517	BRACE
8	20	150040	5/8 LOCKWASHER
9	8	150100	5/8 X 4 U-BOLT
10	20	150041	5/8 HEX NUT
11	2	150187	3/4 x 3 HHCS, GR. 5
12	2	150037	3/4 SPLIT LOCKWASHER ZC
13	2	150038	3/4 HEX FINISH NUT ZC
14	2	705519	BRACE
15	4	150754	5/8 x 2 HHCS, GR. 5
16	4	150104	5/8 USS FLAT WASHER



NOTE: ATTACH COUPLINGS 330737 TO HOSE LENGTHS 201" AND 40". ATTACH OTHER END OF THE 40" HOSE TO THE FITTING 330201. TO COMPLETE THE HYDRAULIC HOSE ASSEMBLY, REFER TO THE HYDRAULIC SCHEMATIC PAGE THAT PERTAINS TO YOUR SIZE OF MACHINE.

ITEM NO.	QTY.	PART NO.	DESCRIPTION
1	2	330737	3/8 X 3/8 FEMALE COUPLING
2	6	330201	3/8 FEMALE TEE

**HYDRAULIC SCHEMATICS FOR  
THE RISER KIT ASSEMBLY**